

CONFIDENTIAL

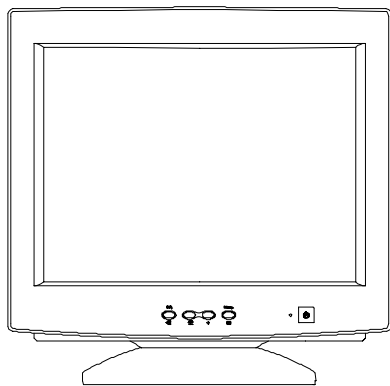
SAMSUNG

COLOR MONITOR

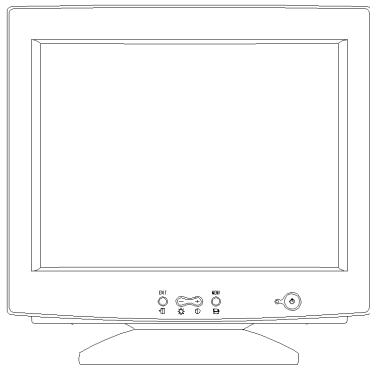
| Chassis | Model |
|---------|------------------------|
| AN17K* | 753DFX, 76DF |
| AN17L* | 753v, 753s 76V, 76E |

SERVICE Manual

COLOR MONITOR



AN17KS/AN17LS



AN17KT/AN17LT

CONTENTS

1. Precautions
2. Product Specifications
3. Disassembly & Reassembly
4. Alignment & Adjustments
5. Troubleshooting
6. Exploded View & Parts List
7. Electrical Parts List
8. Block Diagram
9. Wiring Diagram
10. Schematic Diagrams



Samsung Electronics Co.,Ltd.

416, Maetan-3Dong, Paldal-Gu, Suwon City, Kyungki-Do, Korea.

Printed in Korea 442-742

P/N : BH82-00005C-00

<http://www.samsungmonitor.com> (SyncMaster Worldwide)

<http://www.samsung-monitor.com> (SyncMaster USA)

<http://www.sec.co.kr/monitor> (Korea)

1 Precautions

1-1 Safety Precautions

WARNINGS

1. For continued safety, do not attempt to modify the circuit board.
2. Disconnect the AC power before servicing.
3. When the chassis is operating, semiconductor heatsinks are potential shock hazards.

1-1-1 Servicing the High Voltage and CRT :

WARNING: A high voltage VR replaced in the wrong direction may cause excessive X-ray emissions.

1. When servicing the high voltage system, remove the static charge by connecting a 10 kohm resistor in series with an insulated wire (such as a test probe) between the chassis and the anode lead.
2. When troubleshooting a monitor with excess HV, avoid being unnecessarily close to the monitor. Do not operate the monitor for longer than is necessary to locate the cause of excessive voltage.
3. High voltage should always be kept at the rated value (not higher). Only when high voltage is excessive are X-rays capable of penetrating the shell of the CRT, including the lead in glass material. Operation at high voltages may also cause failure of the CRT or high voltage circuitry.
4. When the HV regulator is operating properly, there is no possibility of an X-ray problem. Make sure the HV does not exceed its specified value and that it is regulating correctly.
5. The CRT is especially designed to prohibit X-ray emissions. To ensure continued X-ray protection, replace the CRT only with one that is the same or equivalent type as the original.
6. Handle the CRT only when wearing shatterproof goggles and after completely discharging the high voltage anode.
7. Do not lift the CRT by the neck.

1-1-2 Fire and Shock Hazard

Before returning the monitor to the user, perform the following safety checks:

1. Inspect each lead dress to make certain that the leads are not pinched or that hardware is not lodged between the chassis and other metal parts in the monitor.

2. Inspect all protective devices such as nonmetallic control knobs, insulating materials, cabinet backs, adjustment and compartment covers or shields, isolation resistor-capacitor networks, mechanical insulators, etc.
3. Leakage Current Hot Check (Figure 1-1):
WARNING: Do not use an isolation transformer during this test.

Use a leakage current tester or a metering system that complies with American National Standards Institute (*ANSI C101.1, Leakage Current for Appliances*), and Underwriters Laboratories (*UL Publication UL1410, 59.7*).

4. With the unit completely reassembled, plug the AC line cord directly into a 120V AC outlet. With the unit's AC switch first in the ON position and then OFF, measure the current between a known earth ground (metal water pipe, conduit, etc.) and all exposed metal parts, including: metal cabinets, screwheads and control shafts. The current measured should not exceed 0.5 milliamp. Reverse the power-plug prongs in the AC outlet and repeat the test.

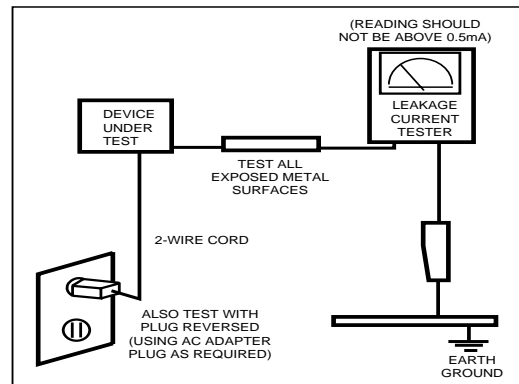


Figure 1-1. Leakage Current Test Circuit

1-1-3 Product Safety Notices

Some electrical and mechanical parts have special safety-related characteristics which are often not evident from visual inspection. The protection they give may not be obtained by replacing them with components rated for higher voltage, wattage, etc. Parts that have special safety characteristics are identified by ⚠ on schematics and parts lists. A substitute replacement that does not have the same safety characteristics as the recommended replacement part might create shock, fire and/or other hazards. Product safety is under review continuously and new instructions are issued whenever appropriate.

Components identified by ⚡ on schematics and parts lists must be sealed by a soldering iron after replacement and adjustment.

1-2 Servicing Precautions

WARNING 1: First read the "Safety Precautions" section of this manual. If unforeseen circumstances create conflict between the servicing precautions and safety precautions, always follow the safety precautions.


WARNING 2: A high voltage Micom control replaced in the wrong direction may cause excessive X-ray emissions.

WARNING 3: An electrolytic capacitor installed with the wrong polarity might explode.

1. Servicing precautions are printed on the cabinet, and should be followed closely.
2. Always unplug the unit's AC power cord from the AC power source before attempting to: (a) remove or reinstall any component or assembly, (b) disconnect PCB plugs or connectors, (c) connect all test components in parallel with an electrolytic capacitor.
3. Some components are raised above the printed circuit board for safety. An insulation tube or tape is sometimes used. The internal wiring is sometimes clamped to prevent contact with thermally hot components. Reinstall all such elements to their original position.
4. After servicing, always check that the screws, components and wiring have been correctly reinstalled. Make sure that the area around the serviced part has not been damaged.
5. Check the insulation between the blades of the AC plug and accessible conductive parts (examples: metal panels, input terminals and earphone jacks).
6. Insulation Checking Procedure: Disconnect the power cord from the AC source and turn the power switch ON. Connect an insulation resistance meter (500 V) to the blades of the AC plug.
The insulation resistance between each blade of the AC plug and accessible conductive parts (see above) should be greater than 1 megohm.
7. Never defeat any of the +B voltage interlocks. Do not apply AC power to the unit (or any of its assemblies) unless all solid-state heat sinks are correctly installed.
8. Always connect a test instrument's ground lead to the instrument chassis ground before connecting the positive lead; always remove the instrument's ground lead last.

1-3 Electrostatically Sensitive Devices (ESD) Precautions

Some semiconductor (solid state) devices can be easily damaged by static electricity. Such components are commonly called Electrostatically Sensitive Devices (ESD). Examples of typical ESD are integrated circuits and some field-effect transistors. The following techniques will reduce the incidence of component damage caused by static electricity.

1. Immediately before handling any semiconductor components or assemblies, drain the electrostatic charge from your body by touching a known earth ground. Alternatively, wear a discharging wrist-strap device. To avoid a shock hazard, be sure to remove the wrist strap before applying power to the monitor.
2. After removing an ESD-equipped assembly, place it on a conductive surface such as aluminum foil to prevent accumulation of an electrostatic charge.
3. Do not use freon-propelled chemicals. These can generate electrical charges sufficient to damage ESDs.
4. Use only a grounded-tip soldering iron to solder or desolder ESDs.
5. Use only an anti-static solder removal device. Some solder removal devices not classified as "anti-static" can generate electrical charges sufficient to damage ESDs.
6. Do not remove a replacement ESD from its protective package until you are ready to install it. Most replacement ESDs are packaged with leads that are electrically shorted together by conductive foam, aluminum foil or other conductive materials.
7. Immediately before removing the protective material from the leads of a replacement ESD, touch the protective material to the chassis or circuit assembly into which the device will be installed.
Caution: Be sure no power is applied to the chassis or circuit and observe all other safety precautions.
8. Minimize body motions when handling unpackaged replacement ESDs. Motions such as brushing clothes together, or lifting your foot from a carpeted floor can generate enough static electricity to damage an ESD.
9.  Indicates ESDs on the Schematic Diagram in this manual.

2 Product Specifications

2-1 Specifications

| Item | Description |
|--|---|
| Picture Tube | 17-Inch (43 cm): 16-inch (40.6 cm) viewable, Flat-face, 90° Deflection, 0.20 mm (Horizontal) Dot pitch, Silica coated with anti-electrostatic properties (TCO: Multilayer coating), Medium-short persistence phosphor |
| Scanning Frequency | Horizontal : 30 kHz ~ 70 kHz Vertical : 50 Hz ~ 160 Hz |
| Display Colors | Unlimited colors |
| Maximum Resolution | Horizontal : 1280 Dots Vertical : 1024 Lines |
| Input Video Signal | Analog, 0.7 Vp-p positive at 75 Ω , internally terminated |
| Input Sync Signal | Separate Sync: TTL level, positive/negative |
| Maximum Pixel Clock rate | 110 MHz |
| Active Display | Horizontal : 312 mm \pm 4 mm, Vertical : 234 mm \pm 4 mm |
| Input Voltage | AC 90 ~ 264 Volts, 60 Hz or 50 Hz \pm 3 Hz |
| Power Consumption | 90 Watt (max) |
| Dimensions (W x D x H) (Net/Gross) AN17KS/AN17KT AN17LS AN17LT | 15.7 x 16.2 x 15.7 Inches (398 x 412 x 400 mm) / 20.4 x 22.8 x 18.4 Inches (517 x 580 x 468 mm) 15.7 x 16.2 x 15.7 Inches (398 x 412 x 400 mm) / 18.3 x 20.2x 18.0 Inches (464 x 512 x 458 mm) 15.7 x 16.2 x 15.7 Inches (398 x 412 x 400 mm) / 18.3 x 20.4x 18.4 Inches (464 x 517 x 467 mm) |
| Weight (Net/Gross) AN17KS AN17KT AN17LS AN17LT | 15.9 kg (35.1 lbs) / 18.68 kg (41.2 lbs) 16.2 kg (35.7 lbs) / 18.7 kg (41.2 lbs) 15.0 kg (33.1 lbs) / 17.5 kg (38.6 lbs) 15.0 kg (33.1 lbs) / 17.5 kg (38.6 lbs) |
| Environmental Considerations | Operating Temperature : 32°F ~ 104°F (0°C ~ 40°C) Humidity : 10 % ~ 80 % Storage Temperature : -4°F ~ 113°F (-20°C ~ 45°C) Humidity : 5 % ~ 95 % |
| <ul style="list-style-type: none"> • Above models comply with SWEDAC (MPR II) recommendations for reduced electromagnetic fields. • Designs and specifications are subject to change without prior notice. | |

2-2 Pin Assignments

| Sync Type Pin No. | Separate | Macintosh |
|----------------------|----------------------|-----------|
| 1 | Red | GND-R |
| 2 | Green | Red |
| 3 | Blue | H/V Sync |
| 4 | N-C | Sense 0 |
| 5 | DDC Return | Green |
| 6 | GND-R | GND-G |
| 7 | GND-G | Sense 1 |
| 8 | GND-B | Reserved |
| 9 | N-C | Blue |
| 10 | GND-Sync/Self-raster | Sense 2 |
| 11 | N-C | GND |
| 12 | DDC Data | V-Sync |
| 13 | H-Sync | GND-B |
| 14 | V-Sync | GND |
| 15 | DDC Clock | H-Sync |

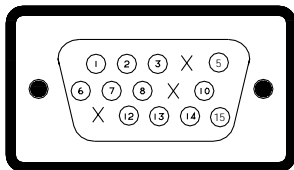


Figure 2-1. Male Type

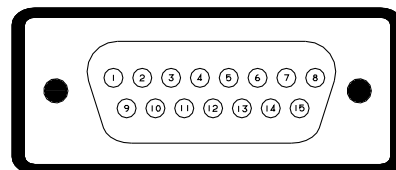


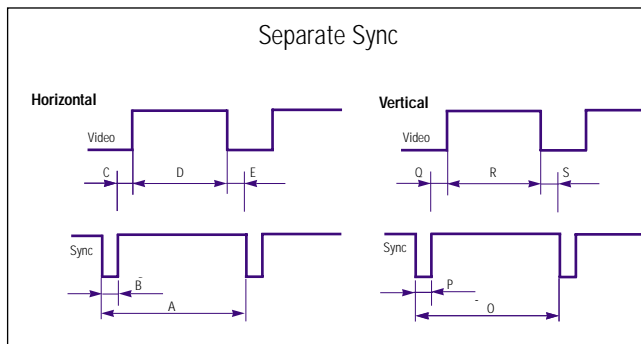
Figure 2-2. Male Type

2-3 Timing Chart

This section of the service manual describes the timing that the computer industry recognizes as standard for computer-generated video signals.

Table 2-1 Timing Chart

| Mode Timing | IBM | | VESA | | | |
|-----------------------|-------------------------|-------------------------|------------------------|------------------------|------------------------|--------------------------|
| | VGA2/70 Hz 720 x 400 | VGA3/60 Hz 640 x 480 | 640/75 Hz 640 x 480 | 640/85 Hz 640 x 480 | 800/85 Hz 800 x 600 | 1024/85 Hz 1024 x 768 |
| fH (kHz) | 31.469 | 31.469 | 37.500 | 43.269 | 53.674 | 68.677 |
| A μsec | 31.777 | 31.778 | 26.667 | 23.111 | 18.631 | 14.561 |
| B μsec | 3.813 | 3.813 | 2.032 | 1.556 | 1.138 | 1.016 |
| C μsec | 1.907 | 1.907 | 3.810 | 2.222 | 2.702 | 2.201 |
| D μsec | 25.422 | 25.422 | 20.317 | 17.778 | 14.222 | 10.836 |
| E μsec | 0.636 | 0.636 | 0.508 | 1.556 | 0.569 | 0.508 |
| fV (Hz) | 70.087 | 59.940 | 75.000 | 85.008 | 85.061 | 84.997 |
| O msec | 16.683 | 14.268 | 13.333 | 11.764 | 11.756 | 11.765 |
| P msec | 0.064 | 0.064 | 0.080 | 0.671 | 0.056 | 0.044 |
| Q msec | 1.080 | 1.048 | 0.427 | 0.578 | 0.503 | 0.524 |
| R msec | 12.711 | 15.253 | 12.800 | 11.093 | 11.179 | 11.183 |
| S msec | 0.413 | 0.318 | 0.027 | 0.023 | 0.019 | 0.015 |
| Clock Frequency (MHz) | 28.322 | 25.175 | 31.500 | 36.000 | 56.250 | 94.500 |
| Polarity H.Sync | Negative | Negative | Negative | Negative | Positive | Positive |
| V.Sync | Negative | Positive | Negative | Negative | Positive | Positive |
| Remark | Separate | Separate | Separate | Separate | Separate | Separate |



| | | | |
|---------------------|---------------------------|----------------------|-------------------------|
| A : Line time total | B : Horizontal sync width | O : Frame time total | P : Vertical sync width |
| C : Back porch | D : Active time | Q : Back porch | R : Active time |
| E : Front porch | | S : Front porch | |

Memo

3 Disassembly and Reassembly

This section of the service manual describes the disassembly and reassembly procedures for the AN17K*/AN17L* monitor.

WARNING: This monitor contains electrostatically sensitive devices. Use with caution when handling these components.

3-1 Disassembly

Cautions: 1. Disconnect the monitor from the power source before disassembly.

2. To remove the Rear Cover, you must use the special opening jig tool.

3-1-1 Before Disassembly

1. Disconnect power cord from the monitor.
2. With a pad beneath it, stand the monitor on its front with the screen facing downward and the base close to you.

3-1-2 Cabinet Disassembly

1. Remove the Stand from the monitor. (Refer to Stand manual)
2. Remove 2 screws on the Rear cover.



Figure 1

3. Tilt the monitor by lifting at the rear.



Figure 2

4. Push the Opening jig in to each groove along the top of the monitor until makes a "tak" sound. (2 grooves : Left and Right, Make sure each snap is disengaged.)



Figure 3

5. Pull the Rear Cover up and away from the monitor.



Figure 4

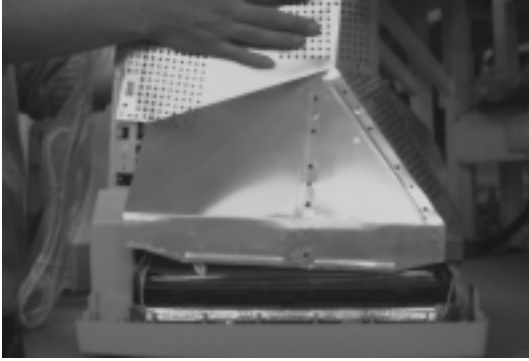
6. Remove the Shield.(TCO 99)

Figure 5

- Using pinch-nose pliers or ling-nose pliers, carefully disconnect the Anode Cap from the CRT.

Warning: Do not touch the Anode contact on the CRT (High Voltage may remain).

3-1-3 Removing the CRT Socket PCB

- Complete all previous steps.
- Loosen the screw on the CRT Neck and remove the CRT Socket PCB from the CRT.

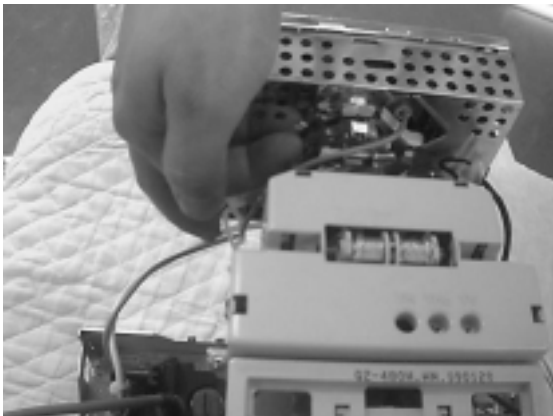


Figure 6

- Disconnect all connectors on the CRT Socket PCB.
- Using a soldering iron, disconnect the Ground (GND) on the back of the Video Shield and remove the Shield Cap.
- Remove the screw on the front of the Shield Socket.
- Desolder the 4 tabs on the CRT Socket PCB and remove Shield.
- Place the Video PCB on a flat, level surface that is protected from static electricity.

3-2 Reassembly

Reassembly procedures are in the reverse order of disassembly procedures.

3-1-4 Removing the Main PCB

- Complete all previous steps.
- Disconnect the Degaussing Coil at CN603 on the Main PCB.
- Disconnect all easily accessible ground wires on the PCB and Bottom Chassis.
- Disconnect the DY connector at the CN404 connector on the Main PCB.
- Using the jig, release the snaps (2) connecting the Front Cover and the PCB then lift up the bottom to separate the two shields.

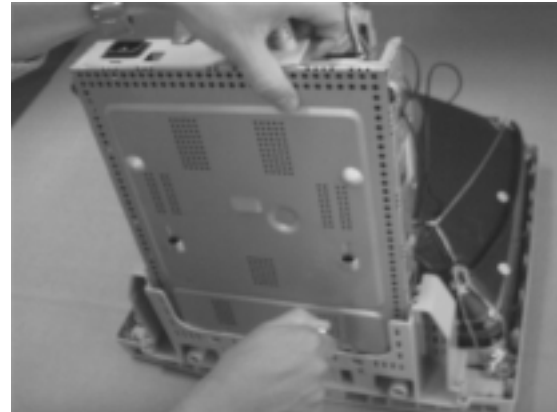


Figure 7

- Disconnect the tilt connector at the CN304 connector on the Main PCB.
- Disconnect the Sub PCB connector at the CN604 connector on the Main PCB.
- Remove the screws on the back and along each side of the bottom chassis.
- Carefully lift the Main PCB Assy and remove the remaining ground wires.
- Place the Main PCB Assy on a flat, level surface that is protected from static electricity.

3-1-5 CRT Assy Disassembly

- Complete all previous steps.
- Straighten the Degaussing Coil Assembly coated metal ties and lift the Coil Assy from the CRT.
- Remove the four corner screws and lift the CRT up and away from the Front Cover Assembly and place it on a padded surface.

Caution: Do not lift the CRT by the neck.

If you will be returning this CRT to the monitor, be sure to place the CRT face downward on a protective pad.

4 Alignment and Adjustments

This section of the service manual explains how to make permanent adjustments to the monitor. Directions are given for adjustments using the monitor Interface Board Ver. 2.0 and software (Softjig).

4-1 Adjustment Conditions

Caution: Changes made without the Softjig are saved only to the user mode settings. As such, the settings are not permanently stored and may be inadvertently deleted by the user.

4-1-1 Before Making Adjustments

4-1-1 (a) ORIENTATION

When servicing, always face the monitor to the east.

4-1-1 (b) WARM-UP TIME

The monitor must be on for 30 minutes before starting alignment. Warm-up time is especially critical in color temperature and white balance adjustments.

4-1-1 (c) SIGNAL

Analog, 0.7 Vp-p positive at 75 ohm, internal termination

Sync: Separate
(TTL level negative/positive)

4-1-1 (d) SCANNING FREQUENCY

Horizontal : 30 kHz to 70 kHz (Automatic)
Vertical : 50 Hz to 160 Hz (Automatic)

Unless otherwise specified, adjust at the 1024 x 768 mode (68 kHz/85 Hz),
Refer to Table 2-1 on page 2-3.

4-1-2 Required Equipment

The following equipment may be necessary for adjustment procedures:

4-1-2 (a) DISPLAY CONTROL ADJUSTMENT

1. Non-metallic (-) screwdriver:
1.5, 2.5, 3 mm
2. Non-metallic (+) screwdriver:
1.5, 2.5, 3 mm
3. Digital Multimeter (DMM), or
Digital Voltmeter
4. Signal generator, or
DM200 software
5. Personal computer

4-1-2 (b) COLOR ADJUSTMENTS

1. All equipment listed in 4-1-2 (a), above
2. Color analyzer, or any luminance
measurement equipment.

4-2 Display Control Adjustments

4-2-1 HIGH VOLTAGE

Signal: 1024 x 768 (68 kHz/85 Hz)
 Display image: Don't care
 Contrast: Minimum
 Brightness: Minimum
 Limit: 26.0 kV ± 0.3 kV

Measure the high voltage level at the anode cap. High voltage should be within the limit as above.

4-2-2 CENTER RASTER

Adjust SW401 so that the back raster comes to the center when you apply basic mode for 17".

4-2-3 Centering

Centering means to position the center point of the display in the middle of the display area. Horizontal size and position and vertical size and position control the centering of the display.

Adjust the horizontal size and vertical size to their optimal settings: 312 mm (H) x 234 mm (V).

Adjust the horizontal position and vertical position to ≤ 5.0 mm of the center point of the screen.

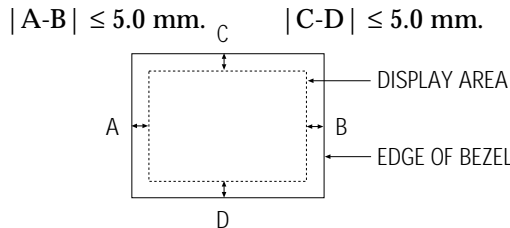


Figure 4-3. Centering

* In Softjig window, "Geometry" has to be selected for GD adjustment.

4-2-3 (a) HORIZONTAL SIZE ADJUSTMENT

CONDITIONS

Scanning frequency: 68 kHz/85 Hz
 Display image: Crosshatch pattern
 Brightness: Maximum
 Contrast: Maximum

Click Standard Dump on the right Menu in the general field.

Use control bar after selecting size B+ in the left Menu to adjust the horizontal size of the display, Pattern to 312mm(Tolerance : ±4mm.)

Run the All Mode save in the Right Menu.

Caution : Do not Run the All mode Save at the other scanning times except for 1024x768 (68kHz/85Hz).

4-2-3 (b) VERTICAL SIZE ADJUSTMENT

CONDITIONS

Scanning frequency: 68 kHz/85 Hz
 Display image: Crosshatch pattern
 Brightness: Maximum
 Contrast: Maximum

Use control bar after selecting "V-SIZE" in left menu to adjust the vertical size of the display pattern to 234 mm.(Tolerance: ± 4 mm.)

4-2-3 (c) HORIZONTAL POSITION ADJUSTMENT

CONDITIONS

Scanning frequency: 68 kHz/85 Hz
 Display image: Crosshatch pattern

Use control bar after selecting "H-POSITION" in left menu to center the horizontal image on the raster.

4-2-3 (d) VERTICAL POSITION ADJUSTMENT

CONDITIONS

Scanning frequency: 68 kHz/85 Hz
 Display image: Crosshatch pattern

Use control bar after selecting "V-POSITION" in left menu to center the vertical image on the raster.

4-2-4 Linearity

Linearity affects the symmetry of images as they appear on the screen. Unless each row or column of blocks in a crosshatch pattern is of equal size, or within the tolerances shown in Tables 4-2 and 4-3, an image appears distorted, elongated or squashed.

Table 4-1. Standard Modes Linearity:
1024x768/85Hz

| | Standard Modes Linearity | |
|-------|---|---|
| | Each block (8 %) | Difference between adjacent blocks (4 %) |
| 4 : 3 | Horizontal: 20.9-23.1 Vertical : 20.9-23.1 | Horizontal: Less than 0.88 mm Vertical : Less than 0.88 mm |

Table 4-2. Other Modes Linearity:
above 40 KHz(Hf)

| | Supported Timing Mode | |
|-------|---|---|
| | Each block (14 %) | Difference between adjacent blocks (5 %) |
| 4 : 3 | Horizontal: 20.5-23.5 Vertical : 20.5-23.5 | Horizontal: Less than 1.10 mm Vertical : Less than 1.10 mm |

Off Spec : Under 40 KHz (Hf)

4-2-4 (a) VERTICAL LINEARITY ADJUSTMENT

CONDITIONS

Scanning frequency: 68 kHz/85 Hz
 Display image: Crosshatch pattern
 Brightness: Maximum
 Contrast: Maximum

To adjust the Vertical Linearity, refer to Tables 4-2 and 4-3 for the tolerance range.

Use control bar after selecting “**V-LINEARITY BAL**” in left menu to optimize the image.

4-2-5 Trapezoid Adjustment

CONDITIONS

Scanning frequency: 68 kHz/85 Hz
 Display image: Crosshatch pattern
 Brightness: Maximum
 Contrast: Maximum

Use control bar after selecting “**TRAPEZOID**” in left menu to make the image area rectangular.

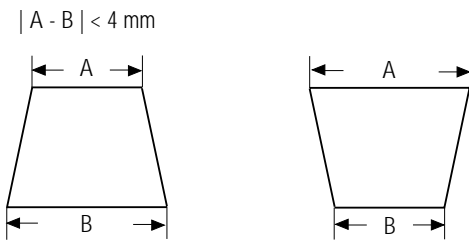


Figure 4-4. Trapezoid

4-2-6 Pinbalance Adjustment

CONDITIONS

Scanning frequency: 68 kHz/85 Hz
 Display image: Crosshatch pattern
 Brightness: Maximum
 Contrast: Maximum

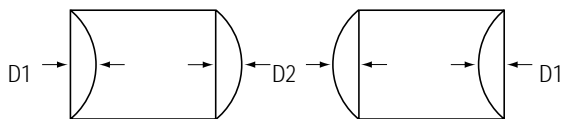


Figure 4-5. Pinbalance

Use control bar after selecting “**PINBALANCE**” in left menu to optimize the image.

4-2-7 Parallelogram Adjustment

CONDITIONS

Scanning Frequency: 68 kHz/85 Hz
 Display image: Crosshatch pattern
 Brightness: Maximum
 Contrast: Maximum

Use control bar after selecting “**PARALLEL**” in left menu to make the image area rectangular.

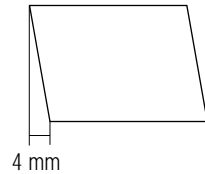


Figure 4-6. Parallelogram

4-2-8 Side Pincushion Adjustment

CONDITIONS

Scanning frequency: 68 kHz/85 Hz
 Display image: Crosshatch pattern

Use control bar after selecting “**PINCUSHION**” in left menu to straighten the sides of the image area.

$$|C1|, |C2| \leq 2.0 \text{ mm}, |D1|, |D2| \leq 2.0 \text{ mm}.$$

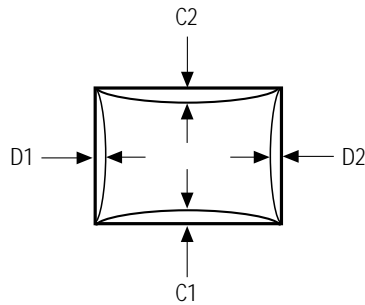


Figure 4-7. Pincushion

4-2-9 Degauss

No adjustments are available for the degaussing circuit. The degaussing circuit can effectively function only once every 30 minutes.

4-2-10 To Delete the User Mode Data

To delete the adjustment data from the user modes, click “@4: **USER DELETE**” in right menu.

4-2-11 Save the Data

To save the adjustment data for a mode, press “@3: **ALL MODE SAVE**” in right menu.

4-3 Color Adjustments

CAUTION: Check below condition before color adjustment
 Video signal : Analog 0.7 Vp-p (at 75 Ω)
 Sync : TTL level (H, V separate signal)

* Select "Color" in Softjig menu for color adjustment.

4-3-1 Color Coordinates (Temperature)

Color temperature is a measurement of the radiant energy transmitted by a color. For computer monitors, the color temperature refers to the radiant energy transmitted by white. Color coordinates are the X and Y coordinates on the chromaticity diagram of wavelengths for the visible spectrum.

CONDITIONS

Measurement instrument: Color analyzer
 Scanning frequency: 68 kHz/85 Hz
 Display image: White flat field at center of display area
 Luminance: Maximum

PROCEDURE

Use the directions in sections 4-3-2 through 4-3-3 to adjust the color coordinates for:

9300K to $x = 0.283 \pm 0.02$, $y = 0.298 \pm 0.02$
 6500K to $x = 0.313 \pm 0.02$, $y = 0.329 \pm 0.02$

4-3-2 Color Adjustments for 9300K

4-3-2 (a) BACK RASTER COLOR ADJUSTMENT

CONDITIONS

Scanning frequency: 68 kHz/85 Hz
 Display image: Back raster pattern
 Brightness: Maximum
 Contrast: Maximum

1. Select "@1: CHANNEL 1" in right menu to control the color for 9300K.
2. Adjust the luminance of the back raster to between 0.5 to 0.7 ft-L using control bar after selecting "GREEN CUTOFF" in the menu.
3. Use control bar after selecting "BLUE CUTOFF" in left menu to set the "y" coordinate to 0.298 ± 0.02 .
4. Use control bar after selecting "RED CUTOFF" in left menu to 0.283 ± 0.02 .

* If color values can not be matched to desirable values, repeat sequences 3 and 4 after readjusting "GREEN CUTOFF" control.

4-3-2 (b) WHITE BALANCE ADJUSTMENT

CONDITIONS

Scanning frequency: 68 kHz/85 Hz
 Display image: White box pattern
 Brightness: 0.06ft-L at Back Raster Pattern Display
 Contrast: Maximum

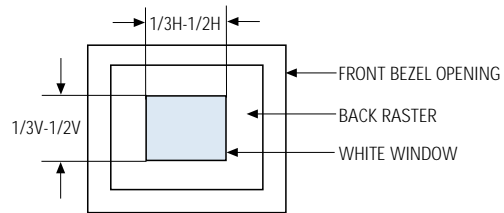


Figure 4-8. White Box Pattern

1. Use control bar after selecting "RED GAIN", "GREEN GAIN" and "BLUE GAIN" to adjust the luminance to AN17K* (40 ± 1 ft-L), AN17L* (42 ± 1 ft-L) with the color coordinates ranged for 9300K to $x = 0.283 \pm 0.02$, $y = 0.298 \pm 0.02$.

4-3-2 (c) ABL ADJUSTMENT

CONDITIONS

Scanning frequency: 68 kHz/85 Hz
 Display image: Full white pattern
 Brightness: Maximum
 Contrast: Maximum

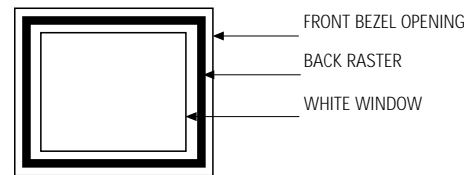


Figure 4-9. Full White Pattern

1. Check the ABL. If it is not within specifications, use the ABL controls to adjust. (30 ± 1 ft-L) AN17K* (31 ± 1 ft-L) AN17L*
2. Select "@4: COLOR SAVE" to save the data.
3. Select "@6: ALL COLOR SAVE" to save CH2.

4-3-2 (d) WHITE BALANCE ADJUSTMENT VERIFICATION

CONDITIONS

| | |
|---------------------|--|
| Scanning frequency: | 68 kHz/85 Hz |
| Display image: | Back raster pattern Full White Pattern |
| X-Y Coordinates: | $x = 0.283 \pm 0.02$, $y = 0.298 \pm 0.02$ |
| ABL Luminance | Refer to 4-3-2(c) |
| Brightness: | Maximum |
| Contrast: | 5 ft-L, 24 ft-L |

1. Check whether the color coordinates of the back raster satisfy the above spec.
If they do not, return to 4-3-2 (a) and readjust all settings.
2. Display a full white pattern.
3. Select "Geometry" in softjig menu.
4. Select "@7: 5-ft " in right menu.
5. Check whether the white coordinates of the video meet the above coordinates spec.
6. Select "@8: 24-ft " in right menu.
7. Check whether the white coordinates of the video satisfies the above spec.
If they do not, return to 4-3-2 (a) and readjust all settings.

Select "Color" and click "@2: CHANNEL 2" for color adjustment for 6500K
Repeat the sequence for 9300K adjustment.
luminance values are the same as 9300K, but the color coordinates of back raster and white box are : $x = 0.313 \pm 0.02$ $y = 0.329 \pm 0.02$

4-3-3 Luminance Uniformity Check

Luminance is considered uniform only if the ratio of lowest to highest brightness areas on the screen is not less than 7.5:10.

CONDITIONS

| | |
|---------------------|------------------------------|
| Scanning frequency: | 68 kHz/85 Hz (1024 x 768) |
| Display image: | White flat field |
| Brightness: | Cut off point at 24 ft-L |
| Contrast: | Maximum |

PROCEDURE

Measure luminance at nine points on the display screen (see figure below).

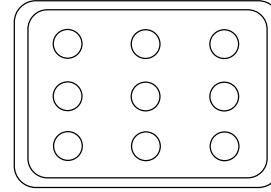


Figure 4-10. Luminance Uniformity Check Locations

4-3-4 Focus Adjustment

CONDITIONS

| | |
|---------------------|------------------------------|
| Scanning frequency: | 68 kHz/85 Hz (1024 x 768) |
| Display image: | "H" character pattern |
| Brightness: | Cut off point |
| Contrast: | Maximum |

PROCEDURE

1. Adjust the Focus VR on the FBT to display the sharpest image possible.
2. Use Locktite to seal the Focus VR in position.

4-3-5 Color Purity Adjustment

Color purity is the absence of undesired color. Conspicuous mislanding (unexpected color in a uniform field) within the display area shall not be visible at a distance of 50 cm from the CRT surface.

CONDITIONS

| | |
|---------------------|---|
| Orientation: | Monitor facing east |
| Scanning frequency: | 68 kHz/85 Hz |
| Display image: | White flat field |
| Luminance: | Cut off point at the center of the display area |

Note: Color purity adjustments should only be attempted by qualified personnel.

PROCEDURE

For trained and experienced service technicians only.

Use the following procedure to correct minor color purity problems:

1. Make sure the display is not affected by external magnetic fields.
2. Make sure the spacing between the PCM assembly and the CRT stem is $29 \text{ mm} \pm 1 \text{ mm}$.
3. Display a green pattern over the entire display area.
4. Adjust the purity magnet rings on the PCM assembly to display a pure green pattern.
AN17K*(Optimum setting: $x = 0.276 \pm 0.015$,
 $y = 0.596 \pm 0.015$)
AN17L*(Optimum setting: $x = 0.285 \pm 0.015$,
 $y = 0.600 \pm 0.015$)
5. Repeat steps 4 and 5 using a red pattern and then again, using a blue pattern.

Table 4-4. Color Purity Tolerances

| | | |
|--------|-----------------------|-----------------------|
| Red: | $x = 0.645 \pm 0.015$ | $y = 0.318 \pm 0.015$ |
| Green: | $x = 0.276 \pm 0.015$ | $y = 0.596 \pm 0.015$ |
| Blue: | $x = 0.145 \pm 0.015$ | $y = 0.060 \pm 0.015$ |

(AN17KS Model)

(For 9300K color adjustment: $x = 0.283 \pm 0.02$, $y = 0.298 \pm 0.02$)

| | | |
|--------|-----------------------|-----------------------|
| Red: | $x = 0.645 \pm 0.015$ | $y = 0.321 \pm 0.015$ |
| Green: | $x = 0.285 \pm 0.015$ | $y = 0.600 \pm 0.015$ |
| Blue: | $x = 0.142 \pm 0.015$ | $y = 0.057 \pm 0.015$ |

(AN17LS Model)

(For 9300K color adjustment: $x = 0.283 \pm 0.02$, $y = 0.298 \pm 0.02$)

6. When you have the PCMs properly adjusted, carefully glue them together to prevent movement during shipping.

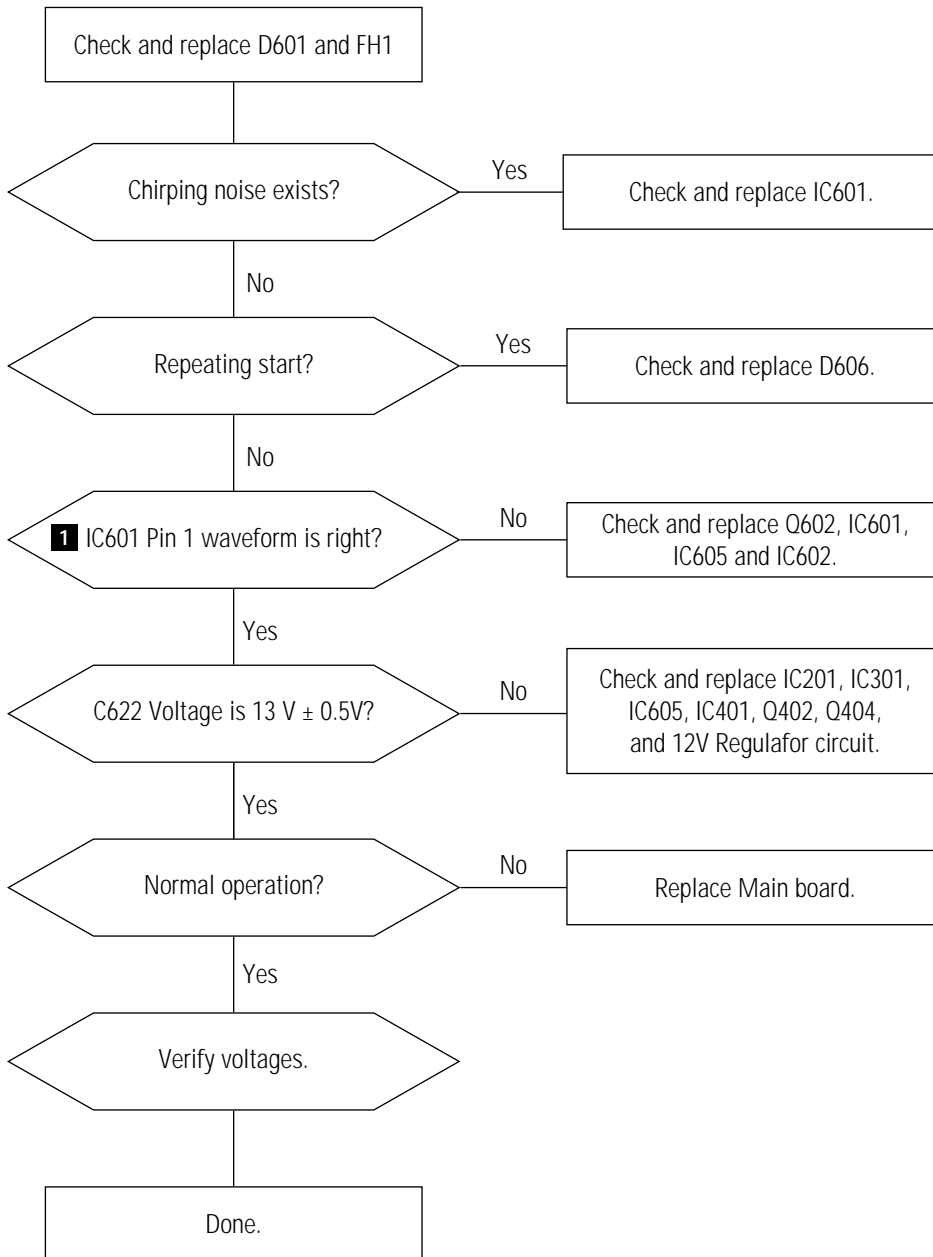
5 Troubleshooting

5-1 Parts Level Troubleshooting

Notes: Check the following circuits.

- No raster appears: Power circuit, Horizontal output circuit.
- High voltage develops but no raster appears: Video output circuits.
- High voltage does not develop: Horizontal output circuits.

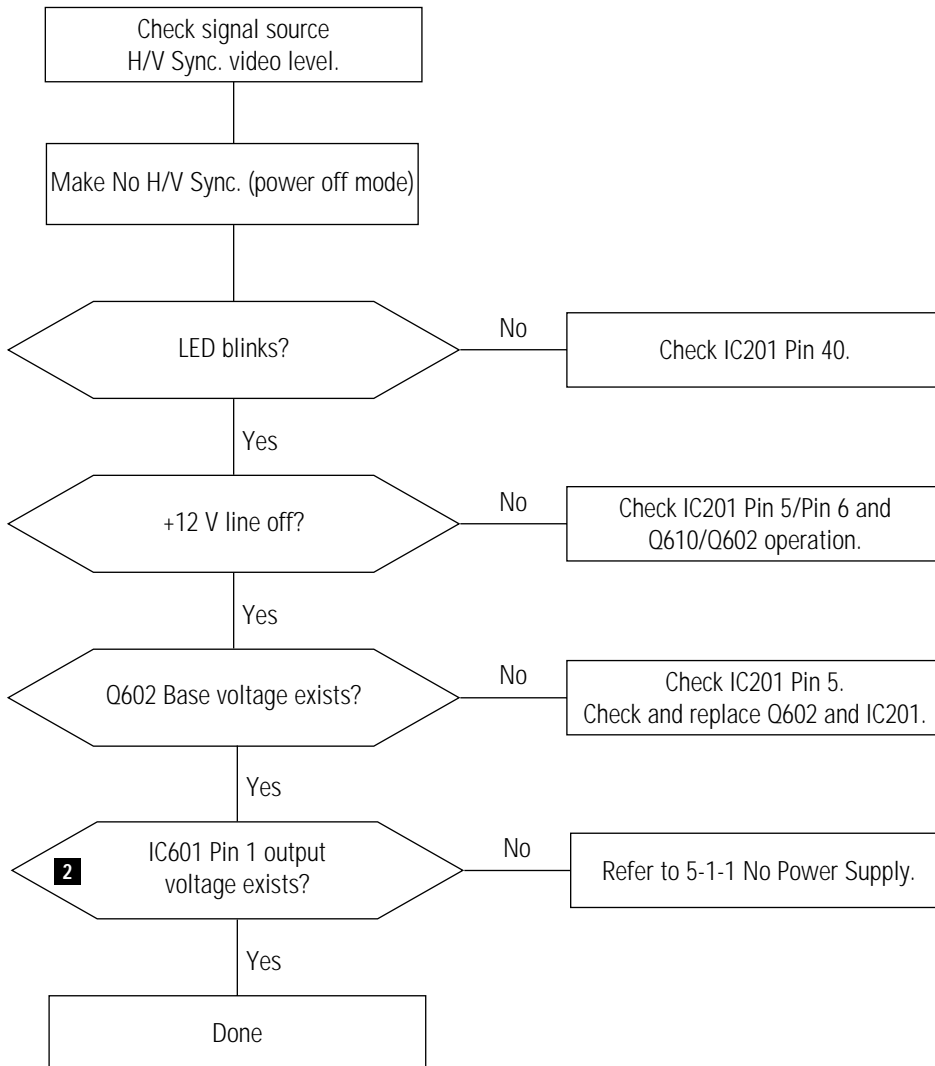
5-1-1 No Power Supply



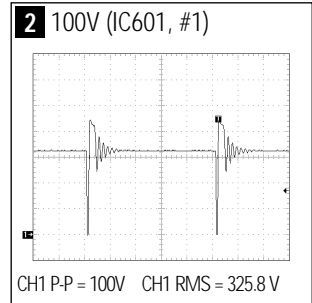
WAVEFORMS



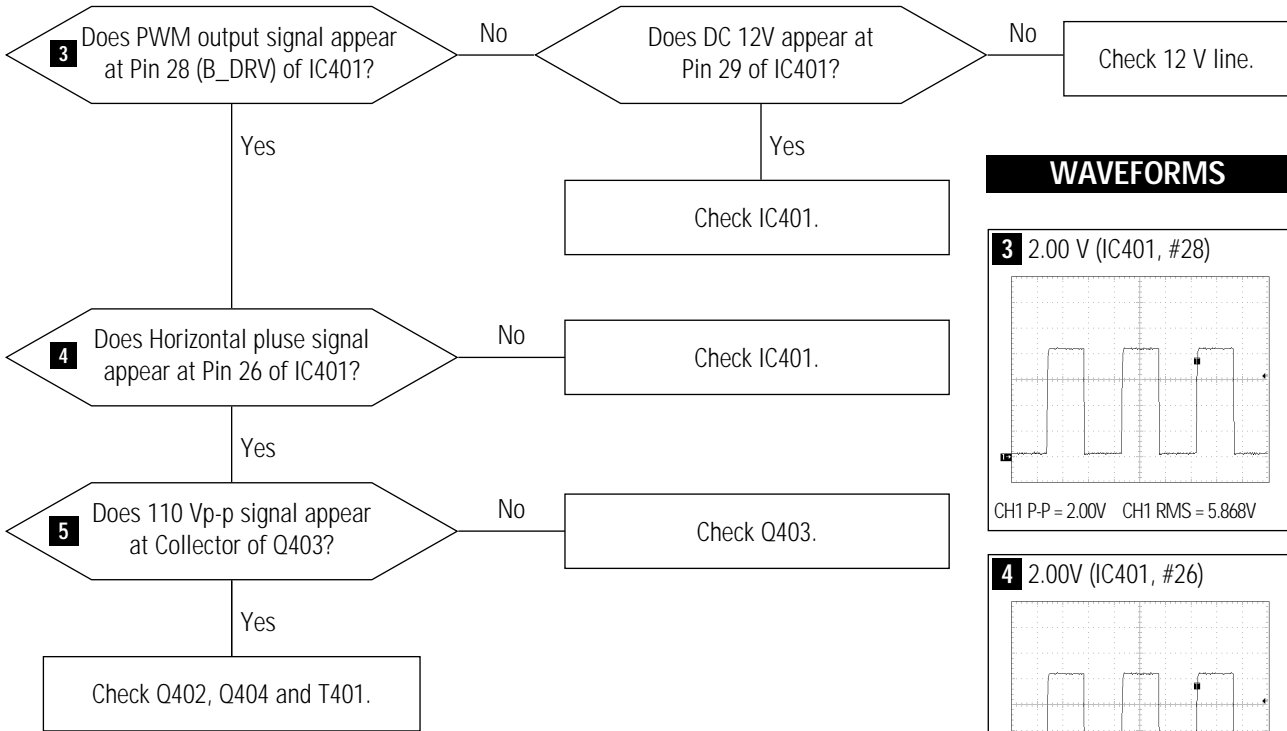
5-1-2 DPMS Failure



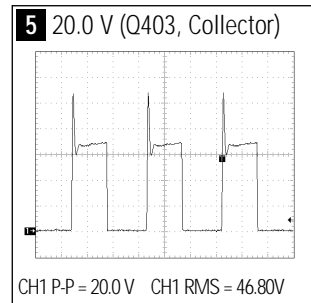
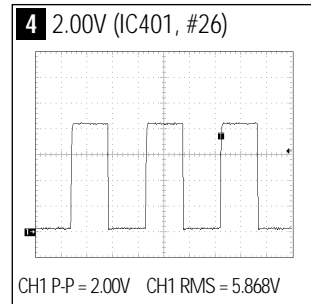
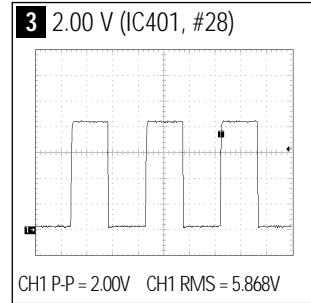
WAVEFORMS



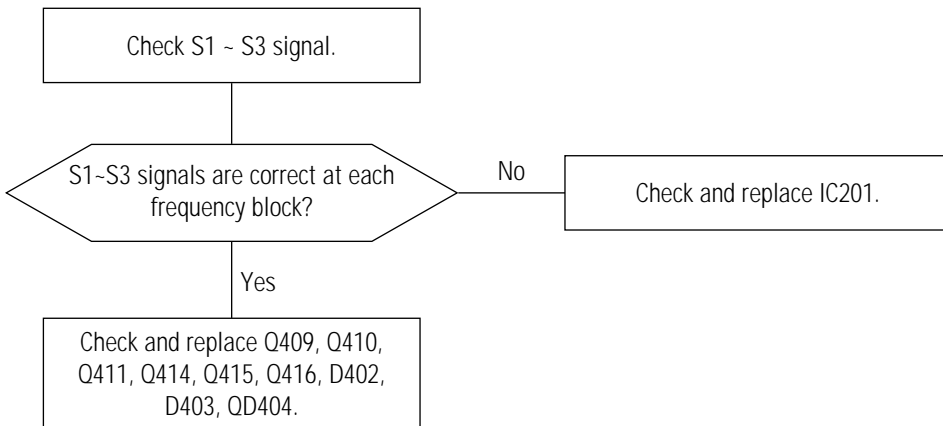
5-1-3 H_Deflection Failure



WAVEFORMS

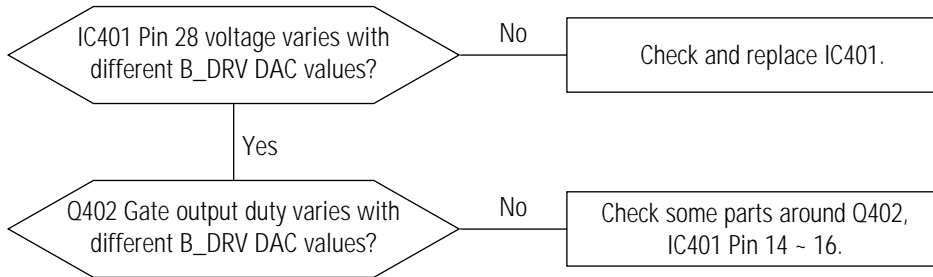


5-1-4 S Correction Failure

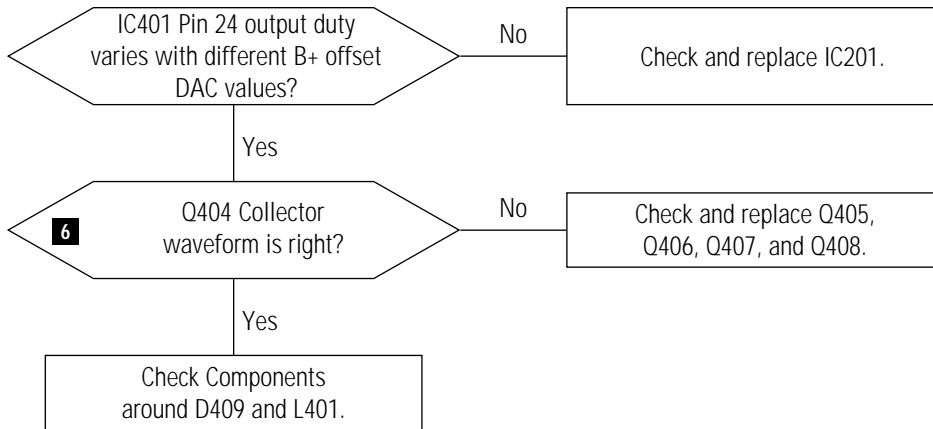


5-1-5 H_Lin. Failure → Check and Replace T402

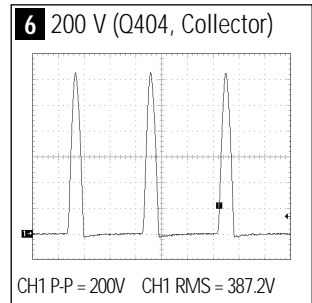
5-1-6 Invariable H_Size



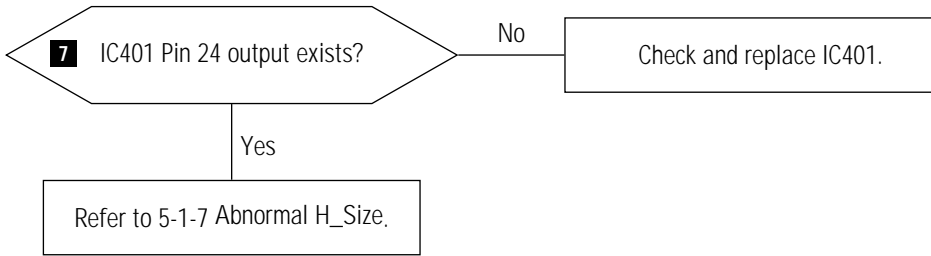
5-1-7 Abnormal H_Size



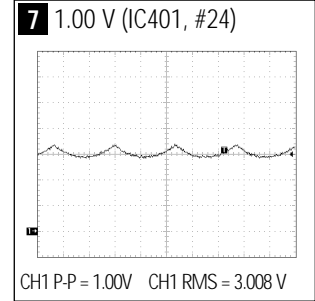
WAVEFORMS



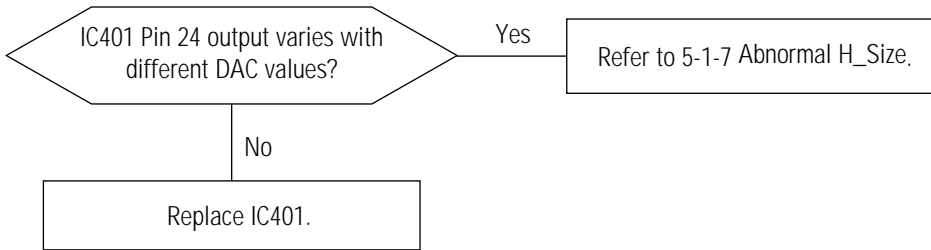
5-1-8 Side Pin or Trap Failure



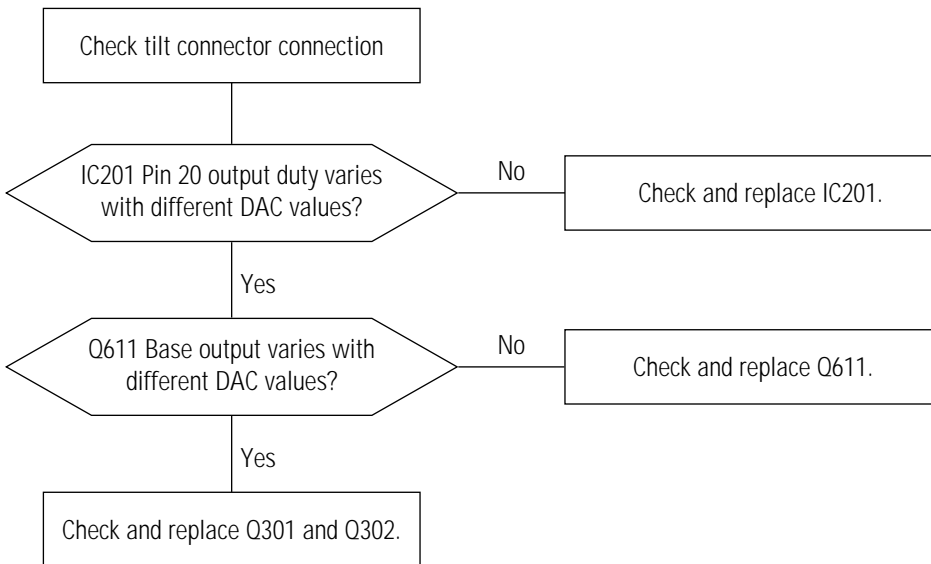
WAVEFORMS



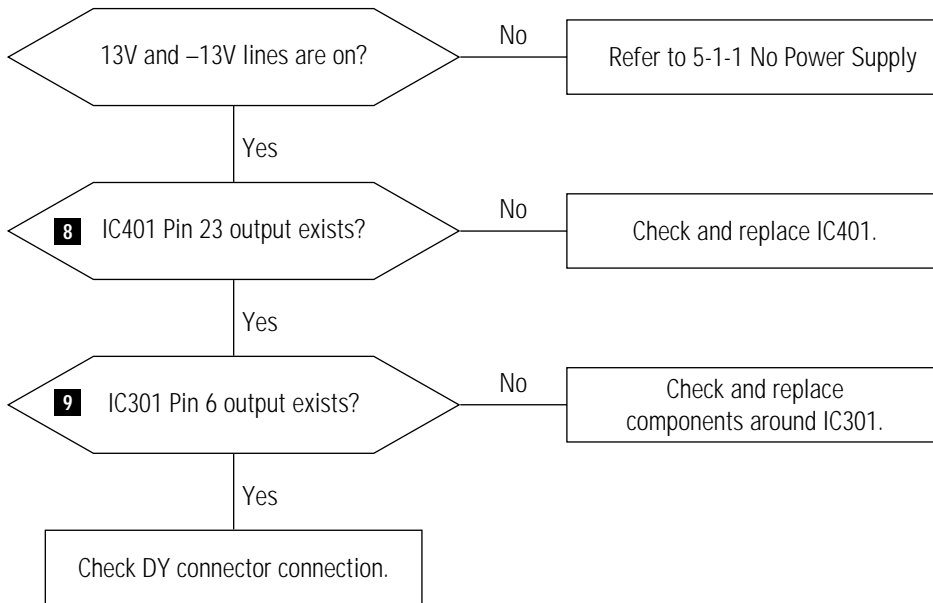
5-1-9 Para. or Pin Balance Failure



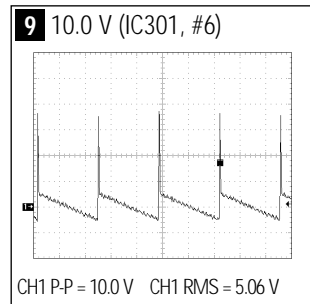
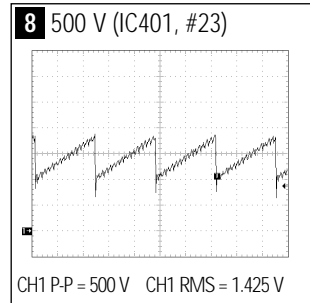
5-1-10 Tilt Failure



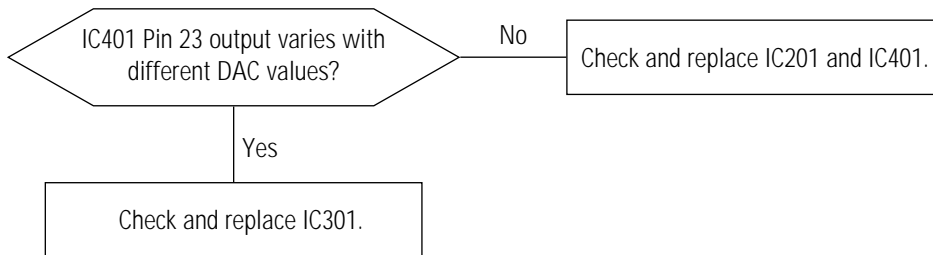
5-1-11 V Deflection Failure



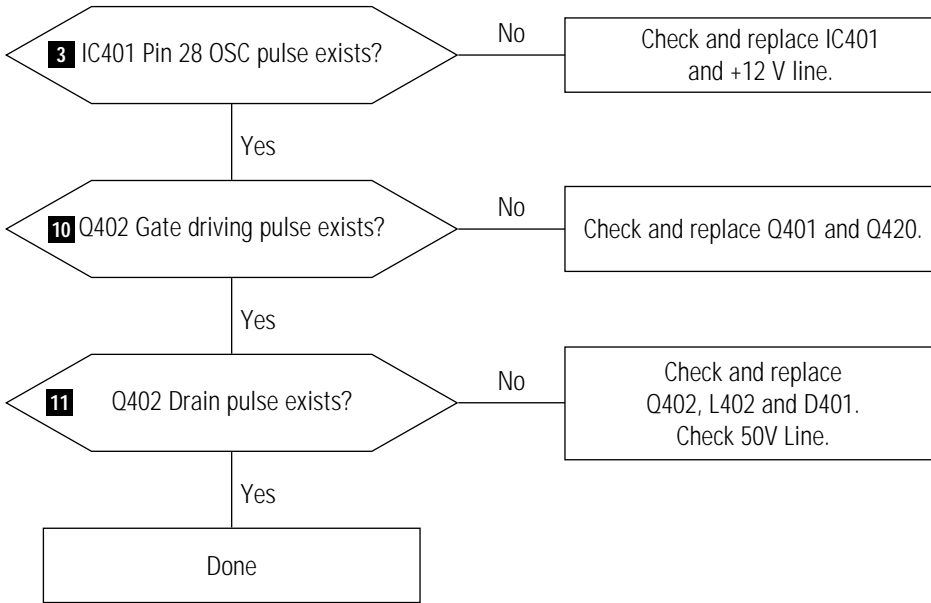
WAVEFORMS



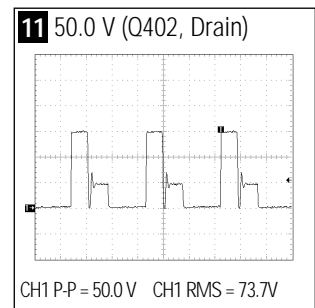
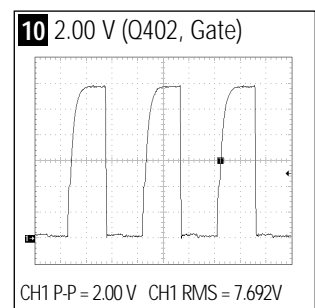
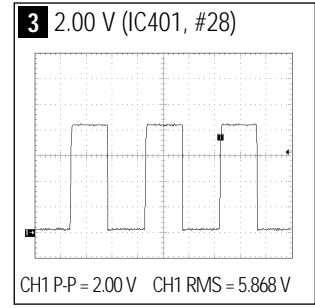
5-1-12 V Size or Position Variation Failure



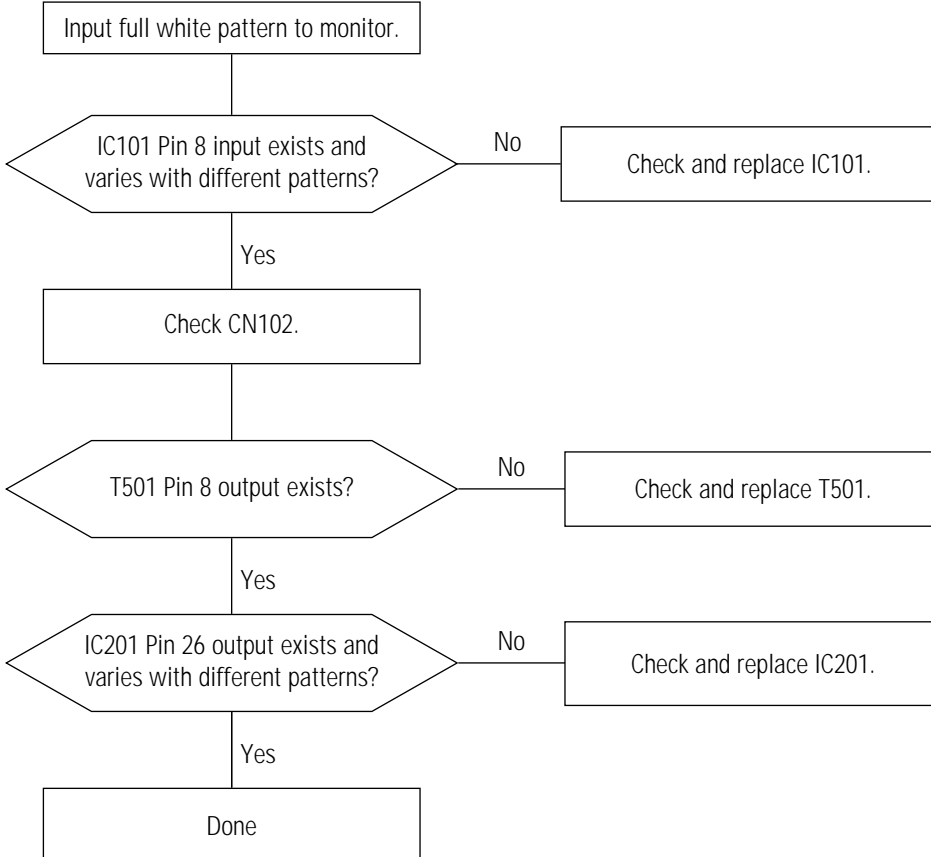
5-1-13 High Voltage Failure



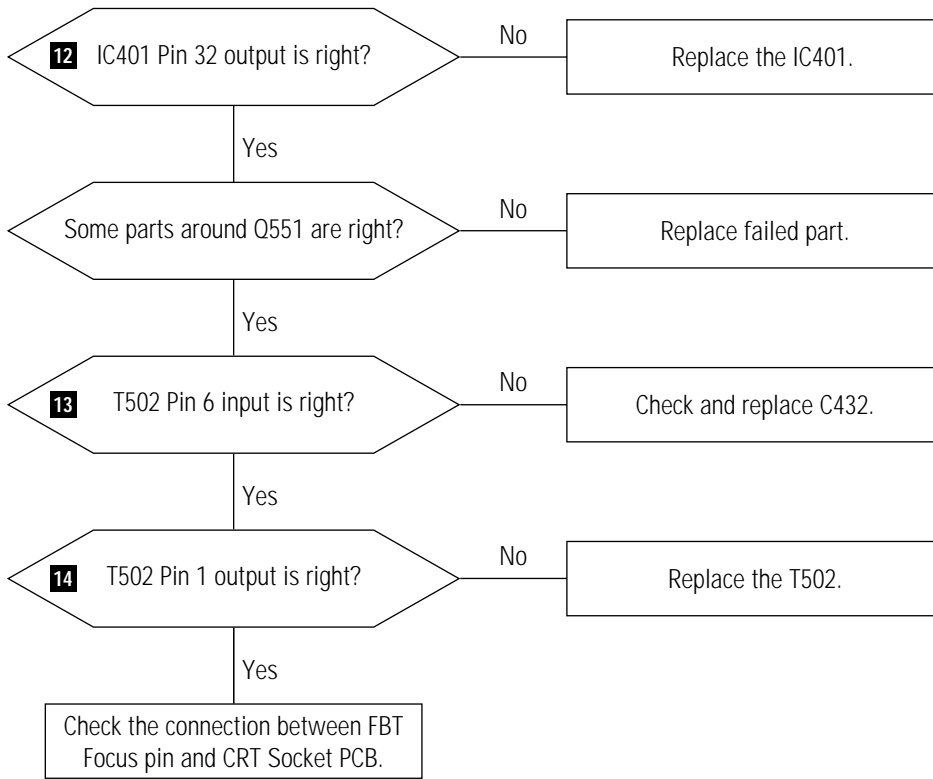
WAVEFORMS



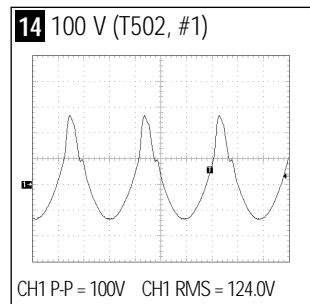
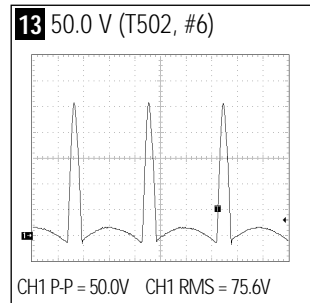
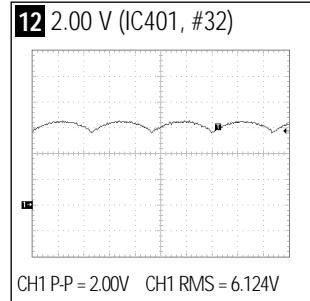
5-1-14 ABL Failure



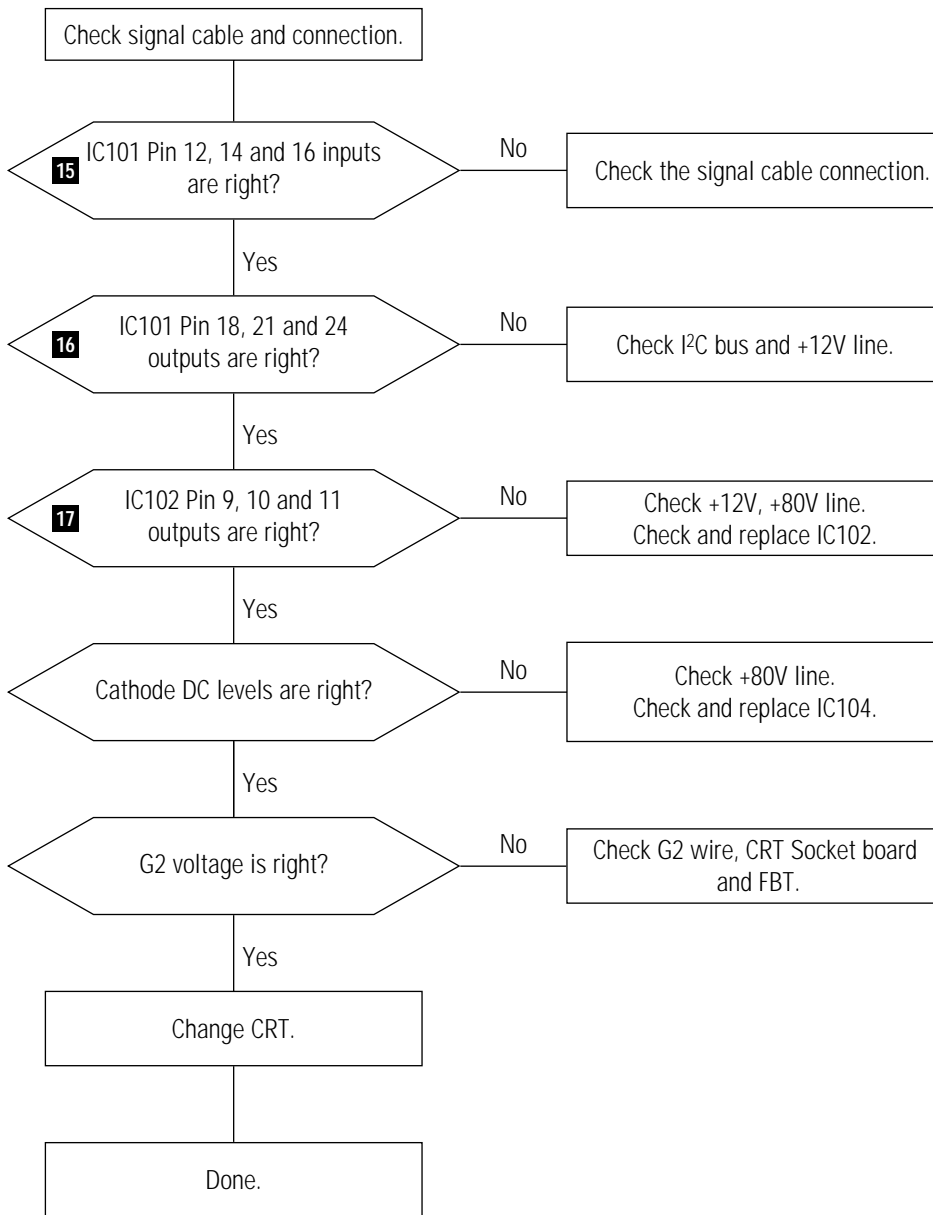
5-1-15 Dynamic Focus Failure



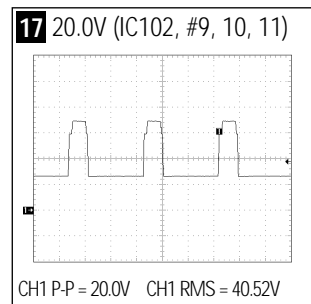
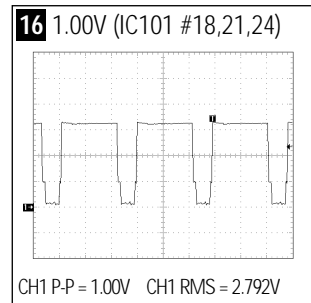
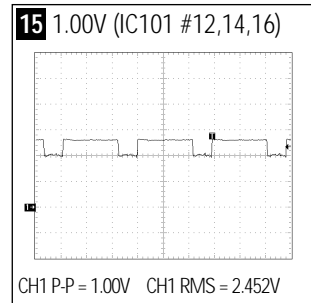
WAVEFORMS



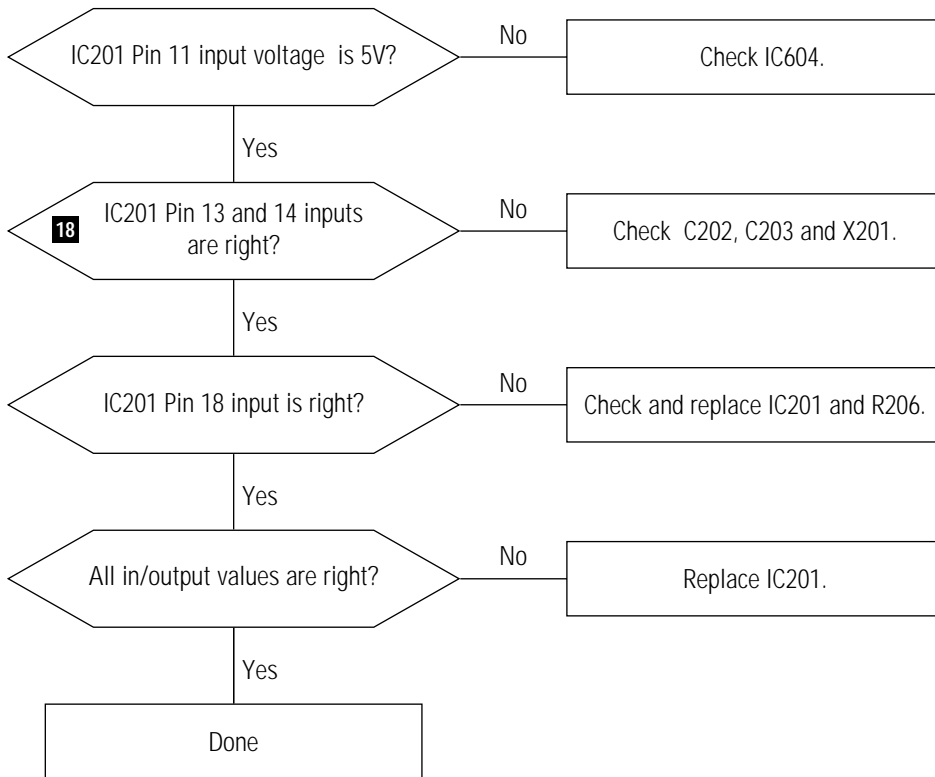
5-1-16 No Video



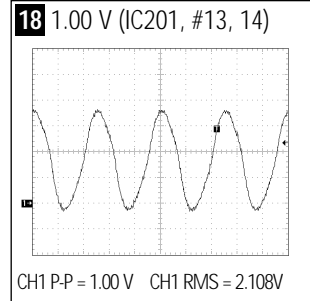
WAVEFORMS



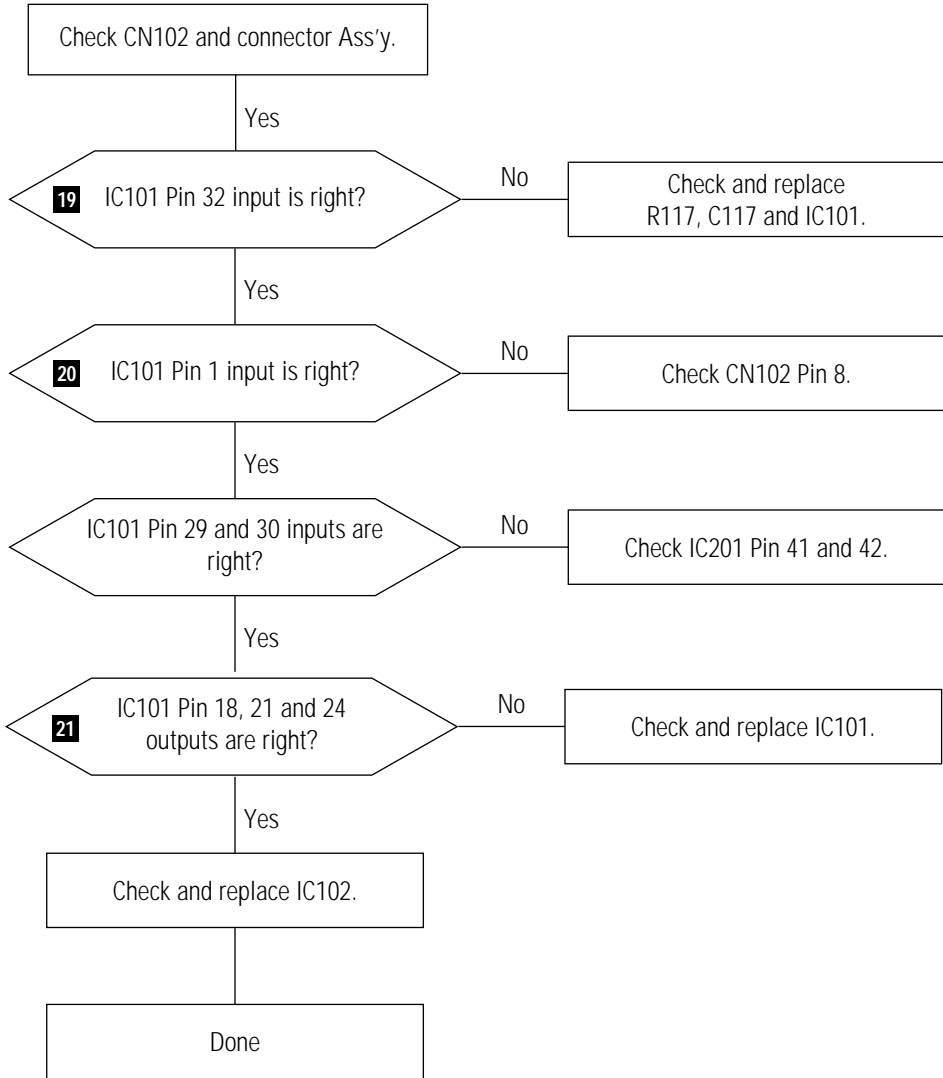
5-1-17 Micom Failure



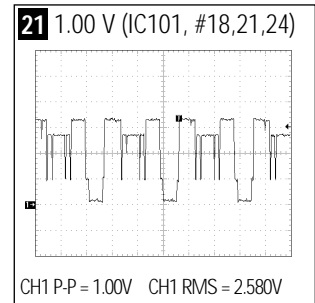
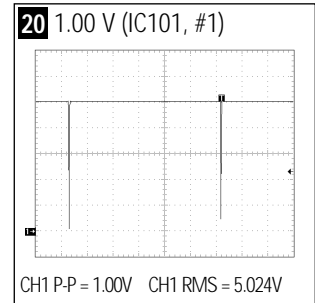
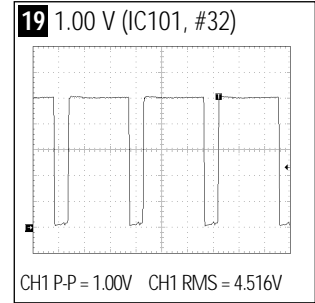
WAVEFORMS



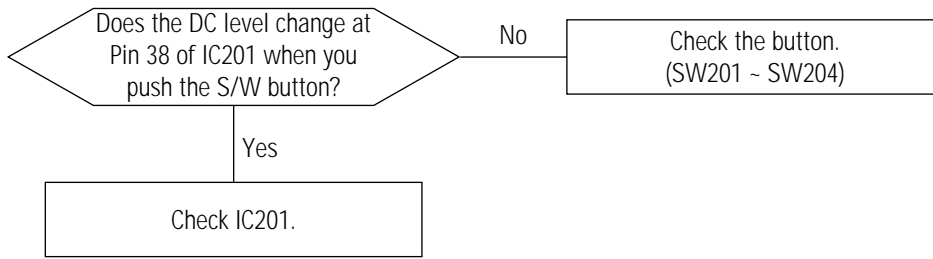
5-1-18 OSD Failure



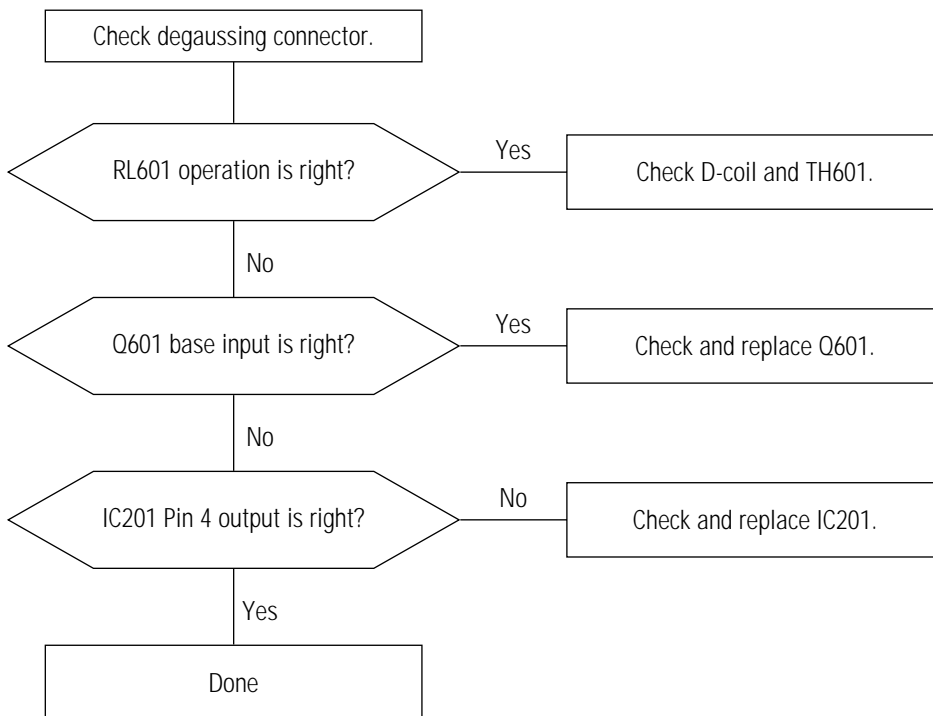
WAVEFORMS



5-1-19 User Control Failure

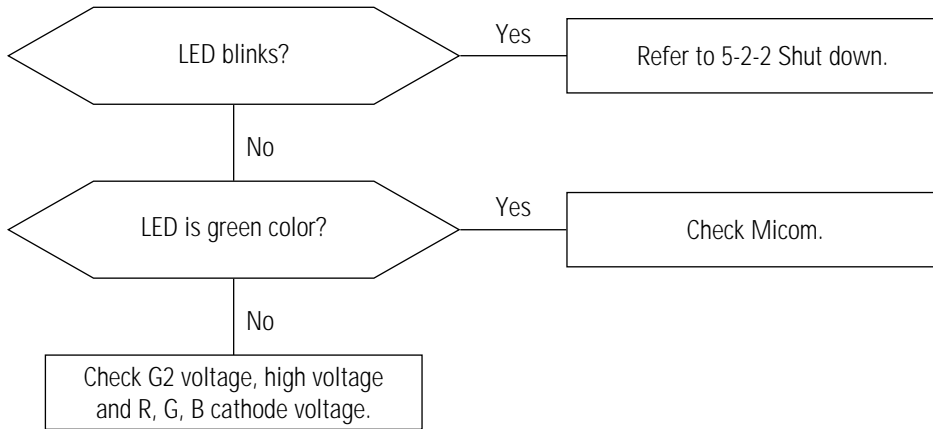


5-1-20 Degaussing Failure

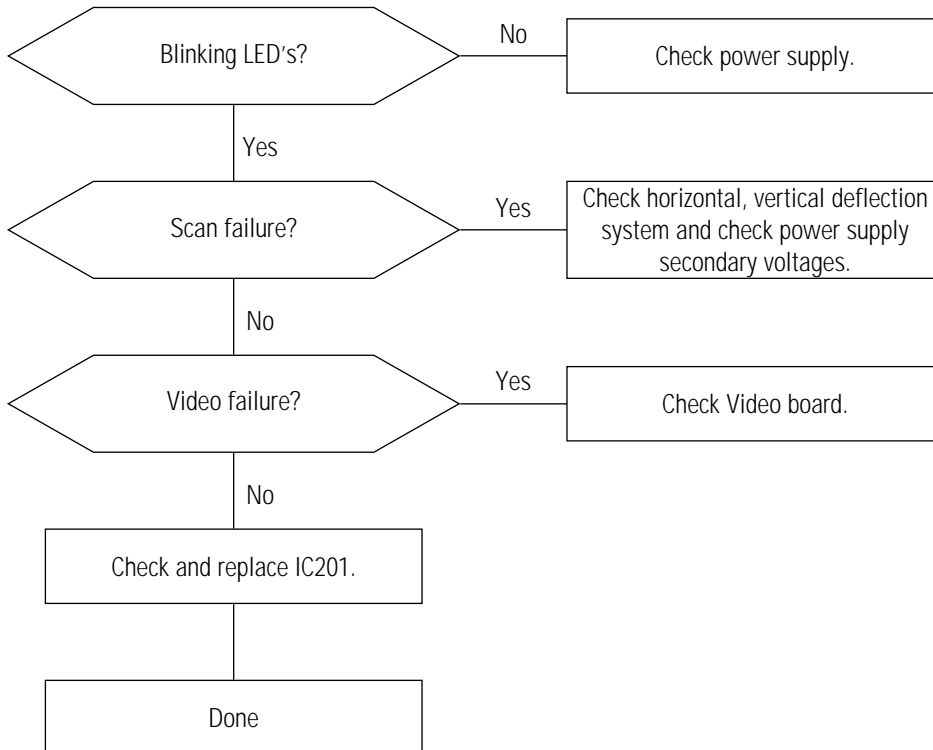


5-2 General Troubleshooting

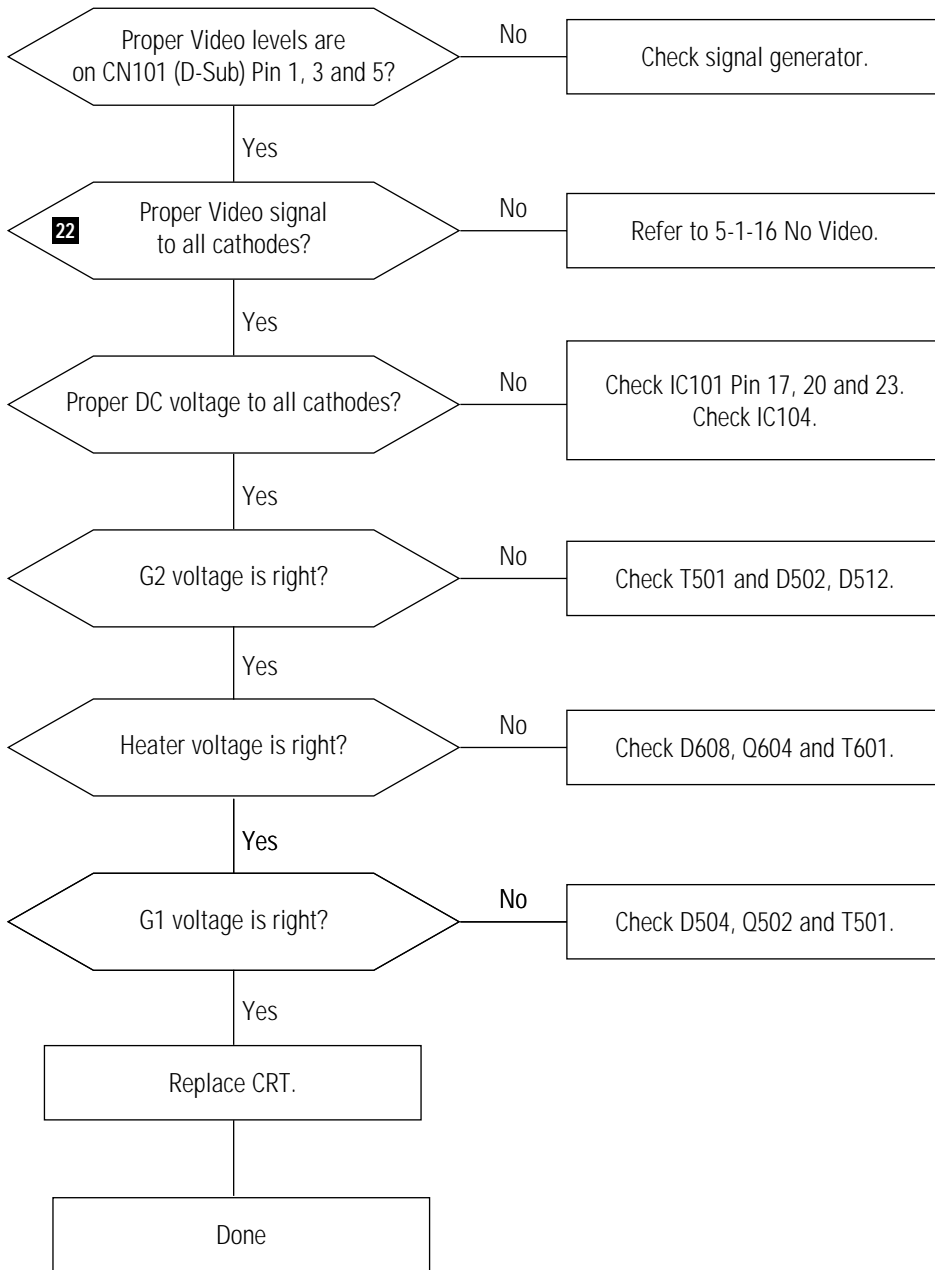
5-2-1 No Picture



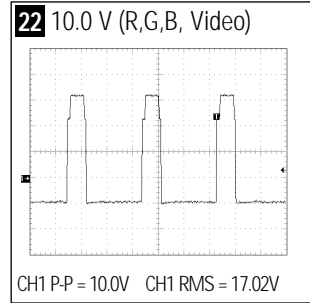
5-2-2 Shut Down



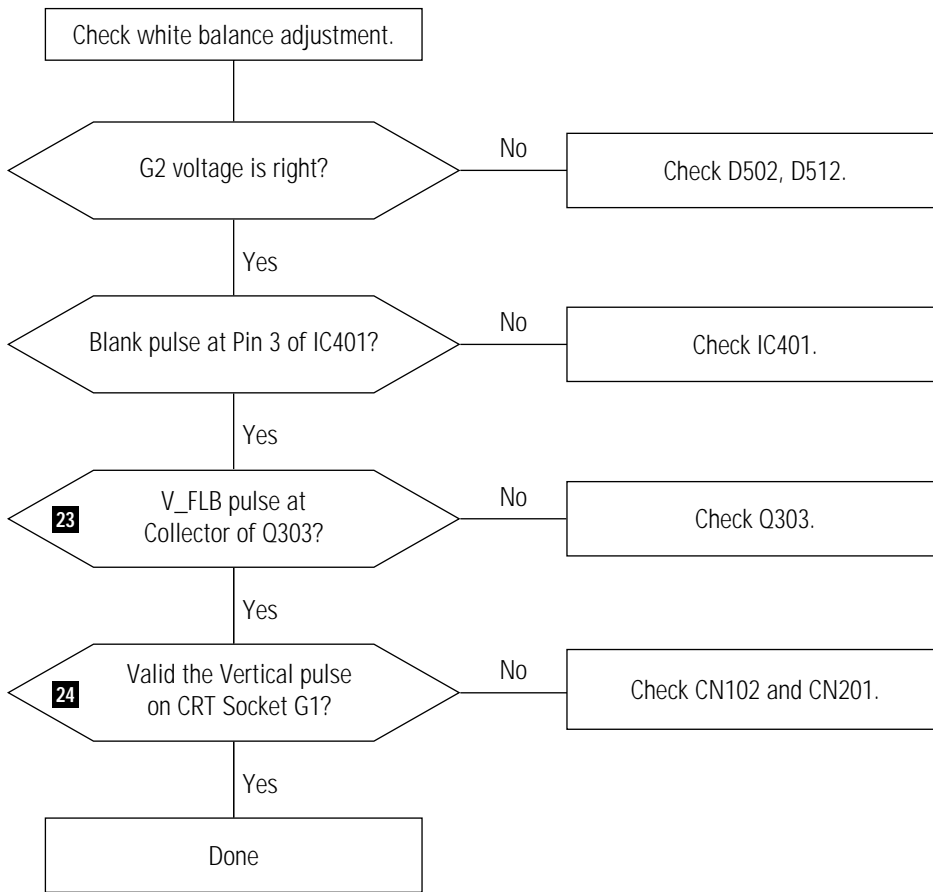
5-2-3 Missing Color



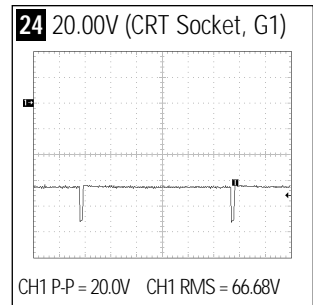
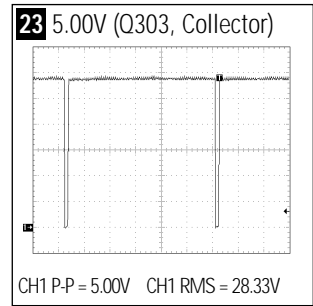
WAVEFORMS



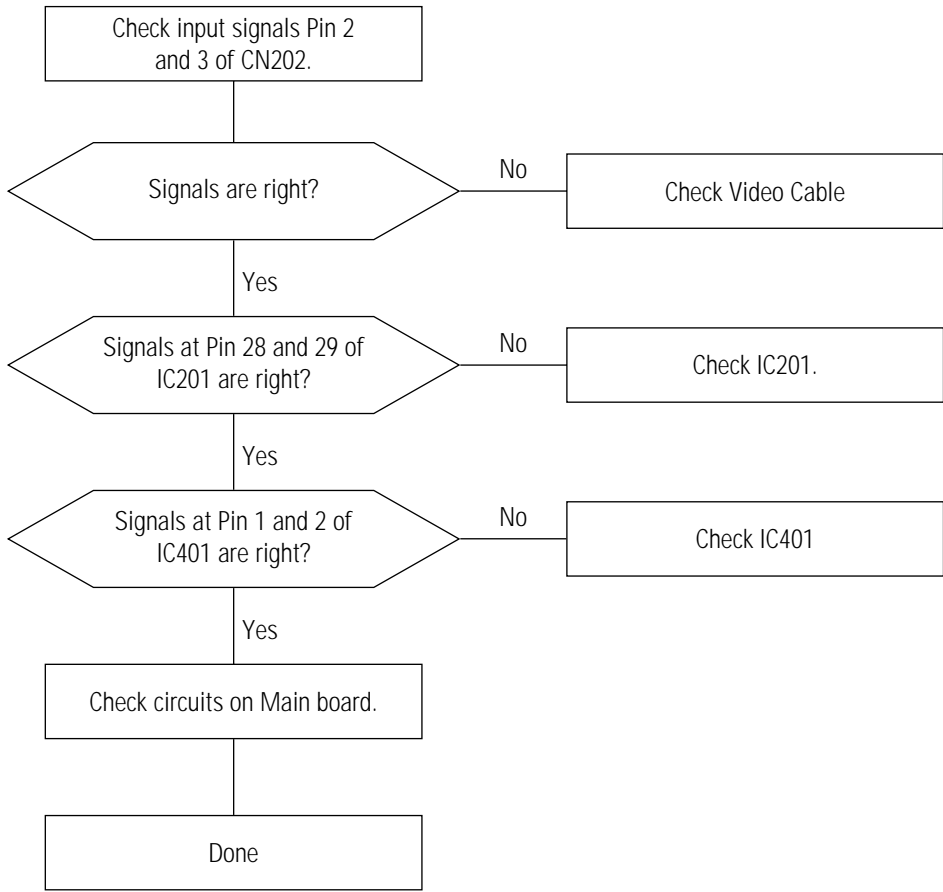
5-2-4 Visible Retrace



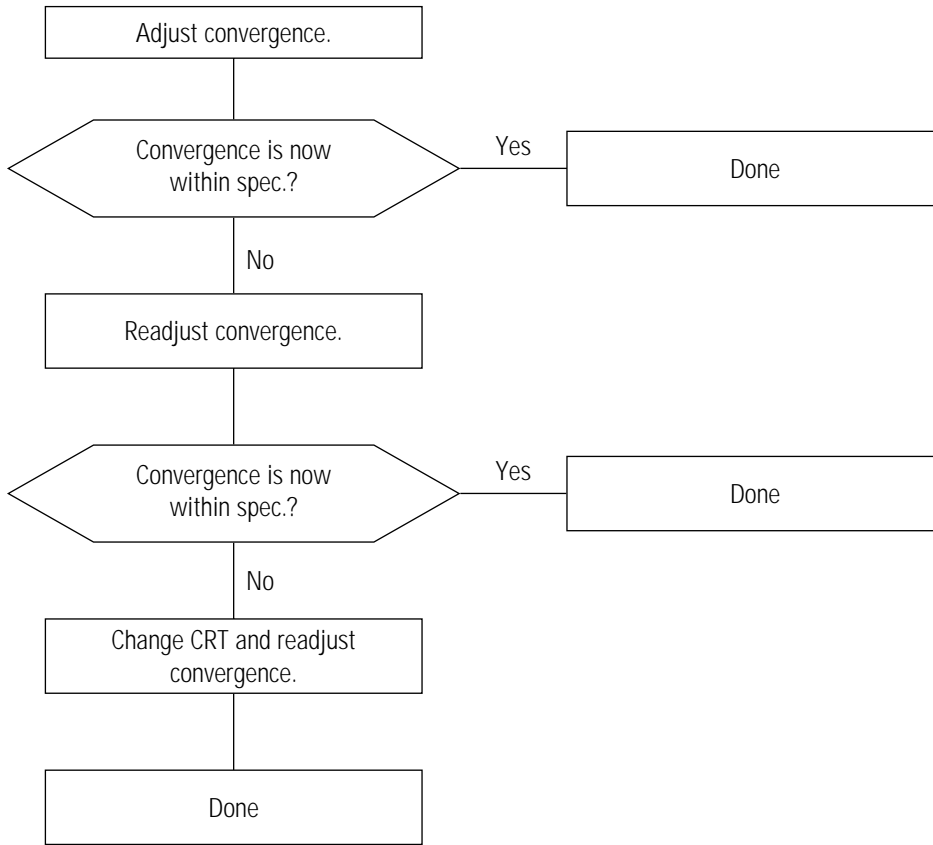
WAVEFORMS



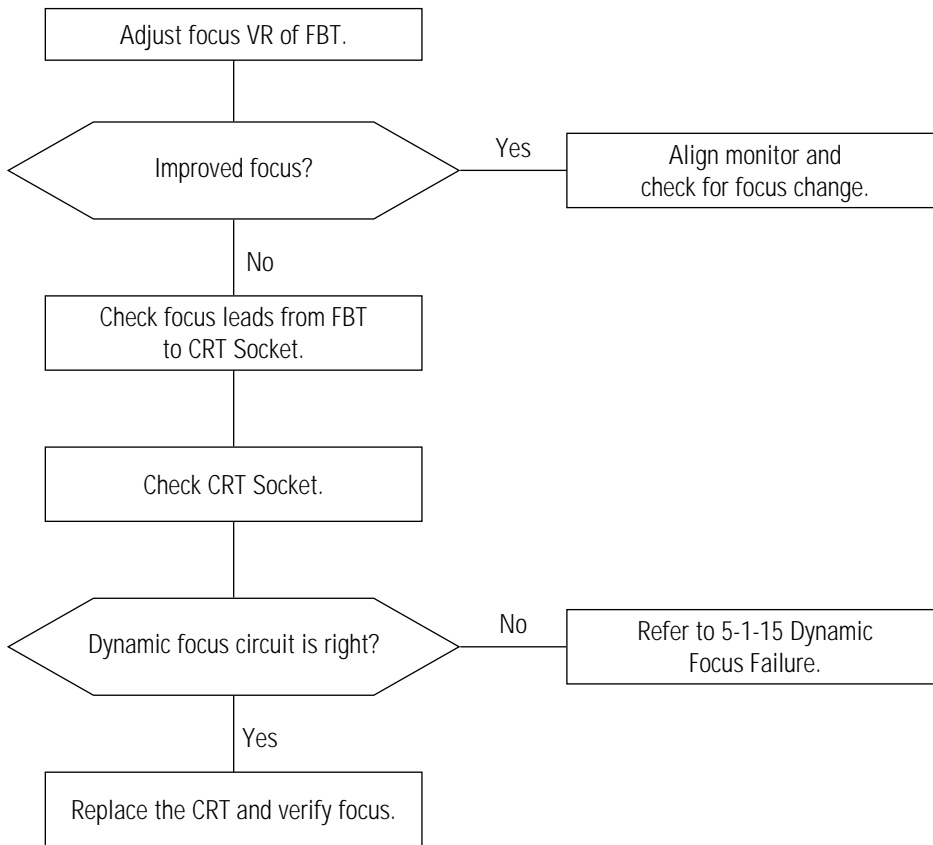
5-2-5 Unsynchronized Image



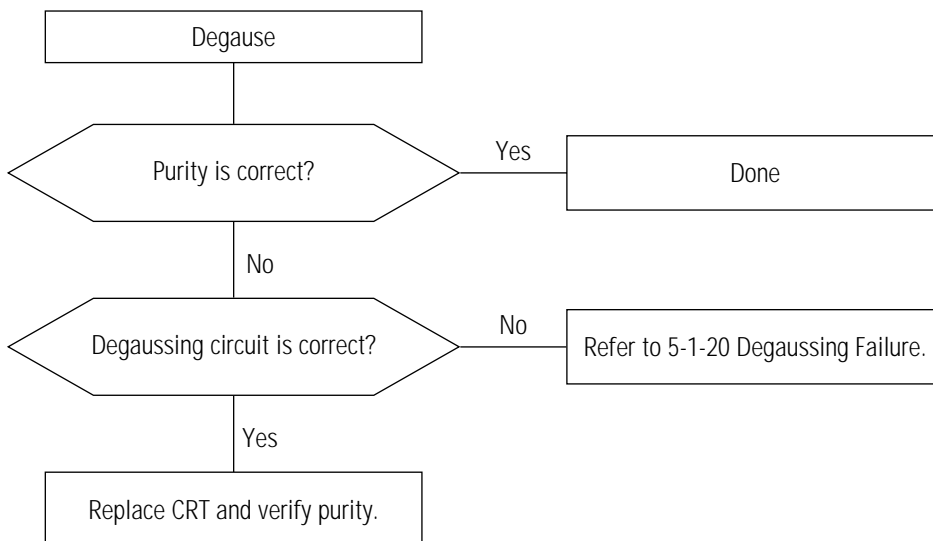
5-2-6 Misconvergence



5-2-7 Poor Focus

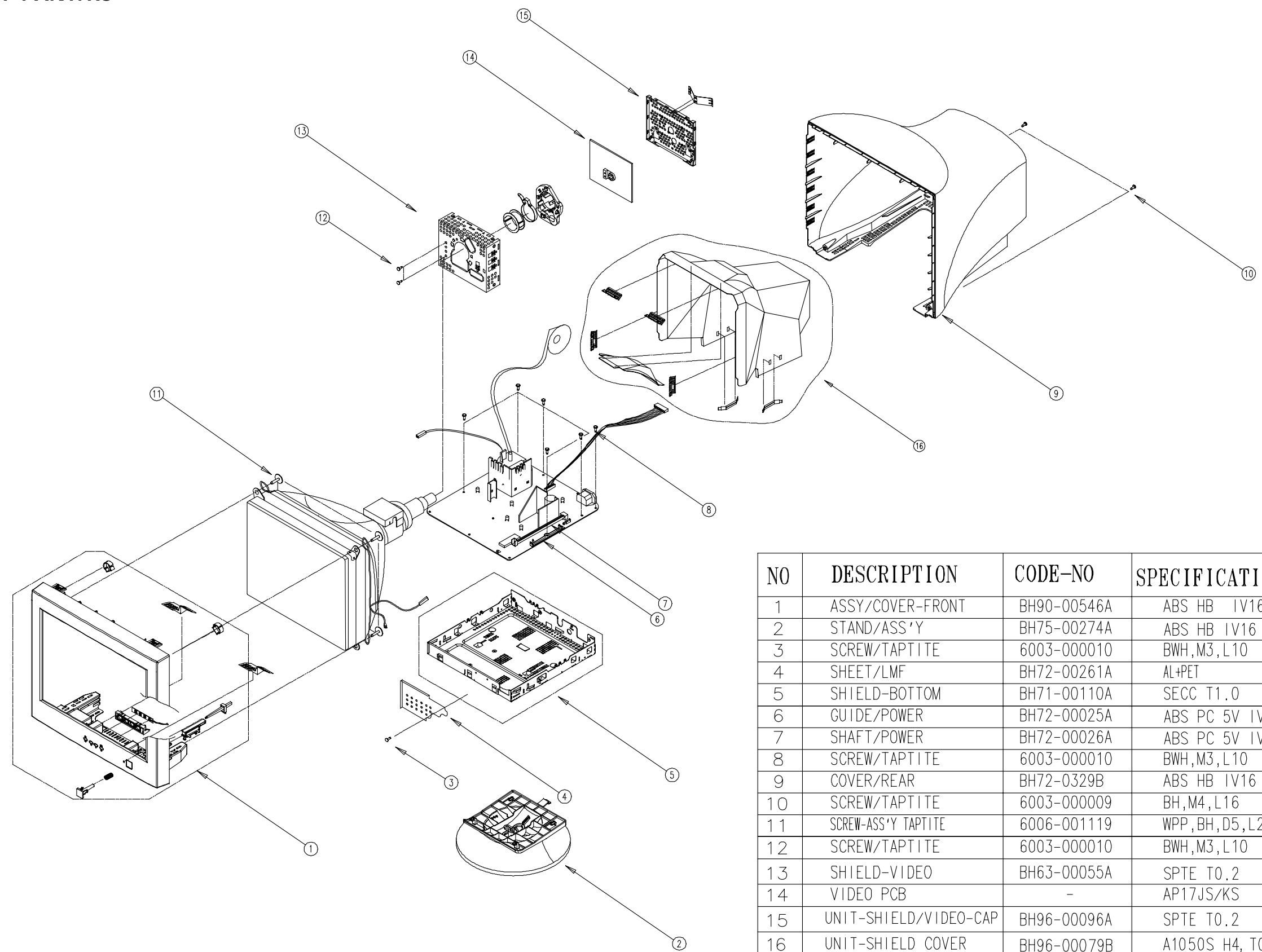


5-2-8 Purity Failure



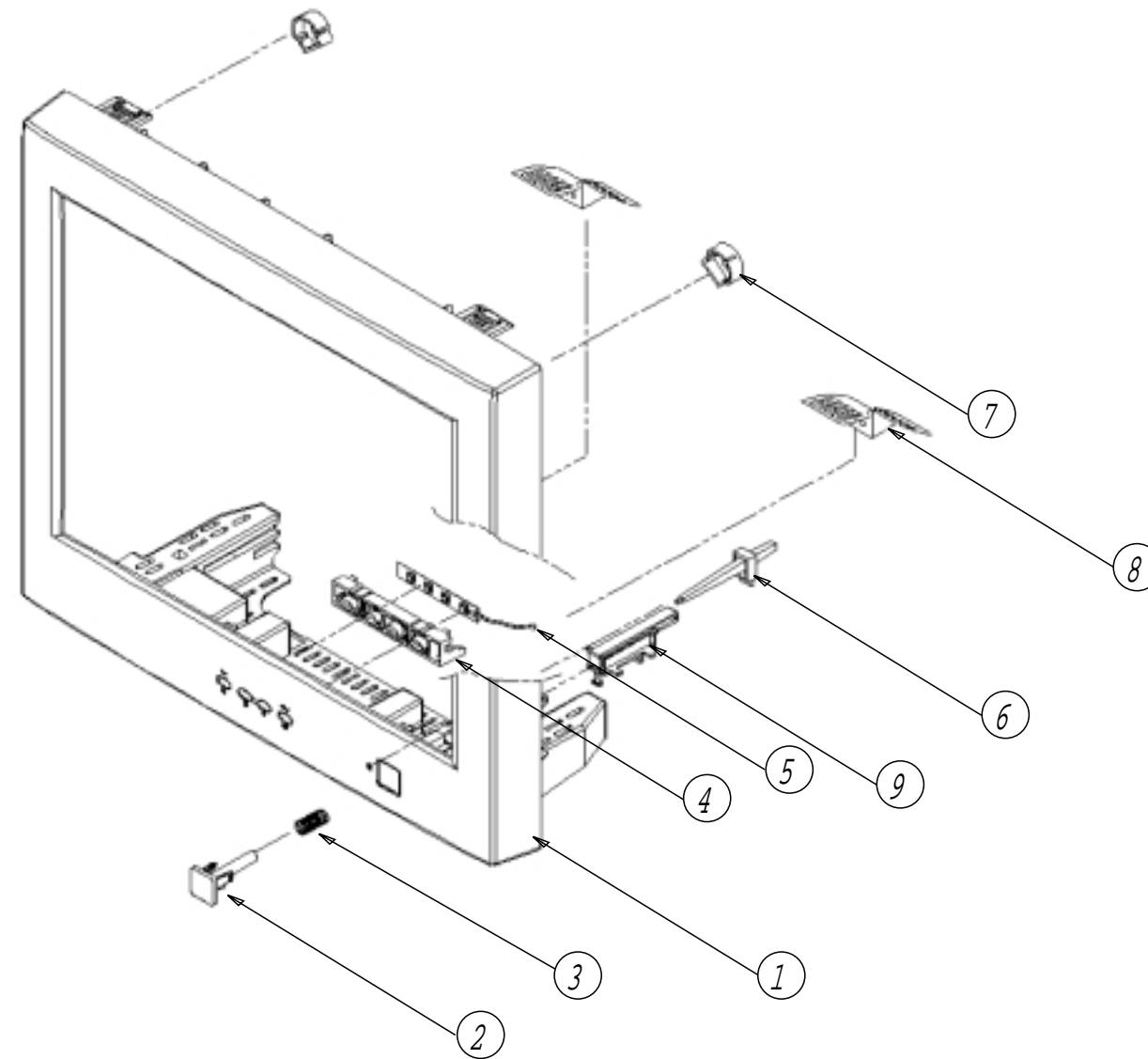
6 Exploded View and Parts List

6-1-1 AN17KS



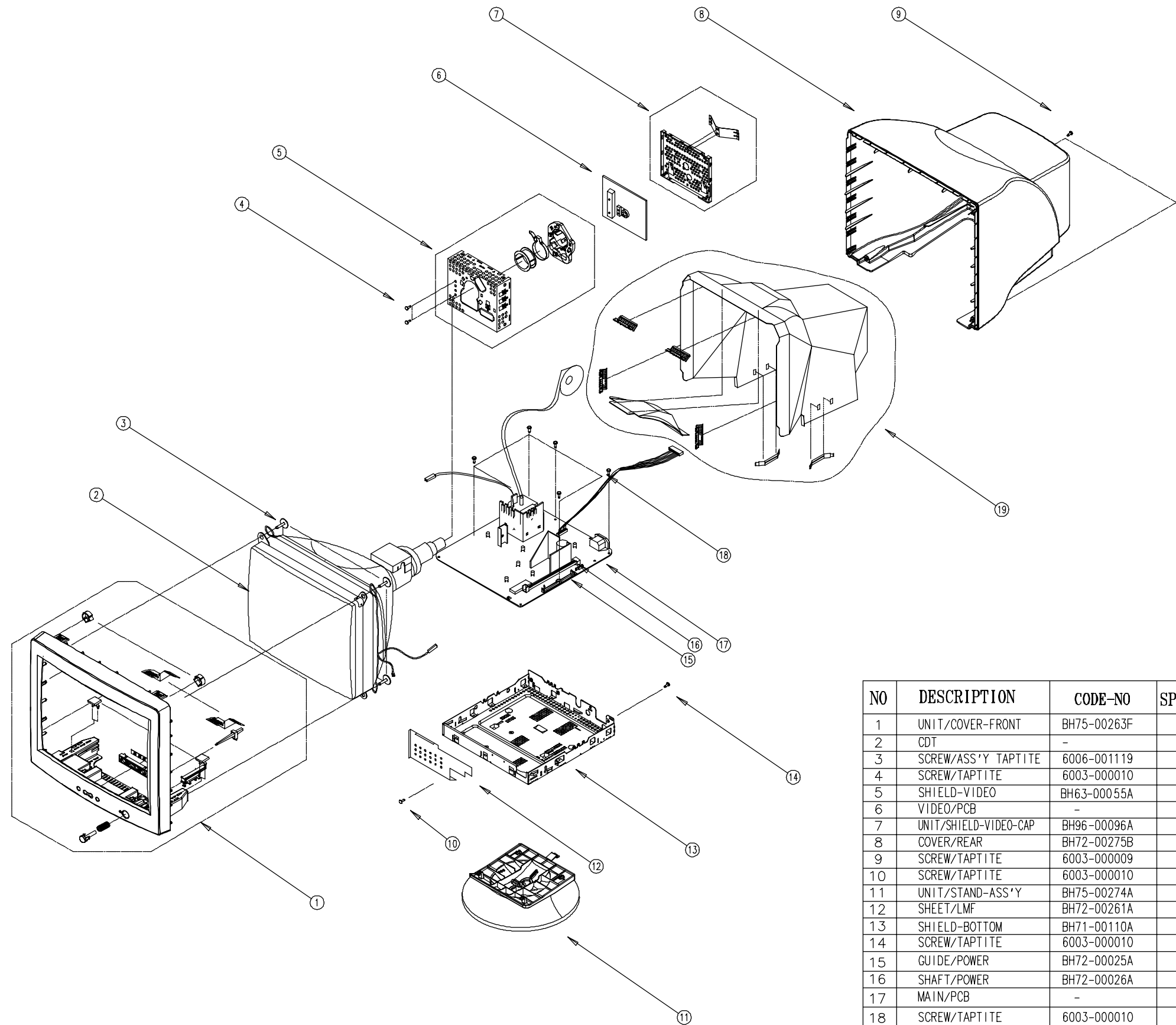
| NO | DESCRIPTION | CODE-NO | SPECIFICATION | Q'TY | REMARK |
|----|-----------------------|-------------|-----------------|------|--------|
| 1 | ASSY/COVER-FRONT | BH90-00546A | ABS HB IV16 | 1 | SA |
| 2 | STAND/ASS'Y | BH75-00274A | ABS HB IV16 | 1 | SA |
| 3 | SCREW/TAPTITE | 6003-000010 | BWH,M3,L10 | 1 | SA |
| 4 | SHEET/LMF | BH72-00261A | AL+PET | 1 | SNA |
| 5 | SHIELD-BOTTOM | BH71-00110A | SECC T1.0 | 1 | SNA |
| 6 | GUIDE/POWER | BH72-00025A | ABS PC 5V IV16 | 1 | SNA |
| 7 | SHAFT/POWER | BH72-00026A | ABS PC 5V IV16 | 1 | SNA |
| 8 | SCREW/TAPTITE | 6003-000010 | BWH,M3,L10 | 5 | SA |
| 9 | COVER/REAR | BH72-0329B | ABS HB IV16 | 1 | SNA |
| 10 | SCREW/TAPTITE | 6003-000009 | BH,M4,L16 | 2 | SA |
| 11 | SCREW-ASS'Y TAPTITE | 6006-001119 | WPP,BH,D5,L25 | 4 | SA |
| 12 | SCREW/TAPTITE | 6003-000010 | BWH,M3,L10 | 2 | SA |
| 13 | SHIELD-VIDEO | BH63-00055A | SPTTE T0.2 | 1 | SNA |
| 14 | VIDEO PCB | - | AP17JS/KS | 1 | - |
| 15 | UNIT-SHIELD/VIDEO-CAP | BH96-00096A | SPTTE T0.2 | 1 | SNA |
| 16 | UNIT-SHIELD COVER | BH96-00079B | A1050S H4, T0.3 | | SNA |

6-1-2 AN17KS Front



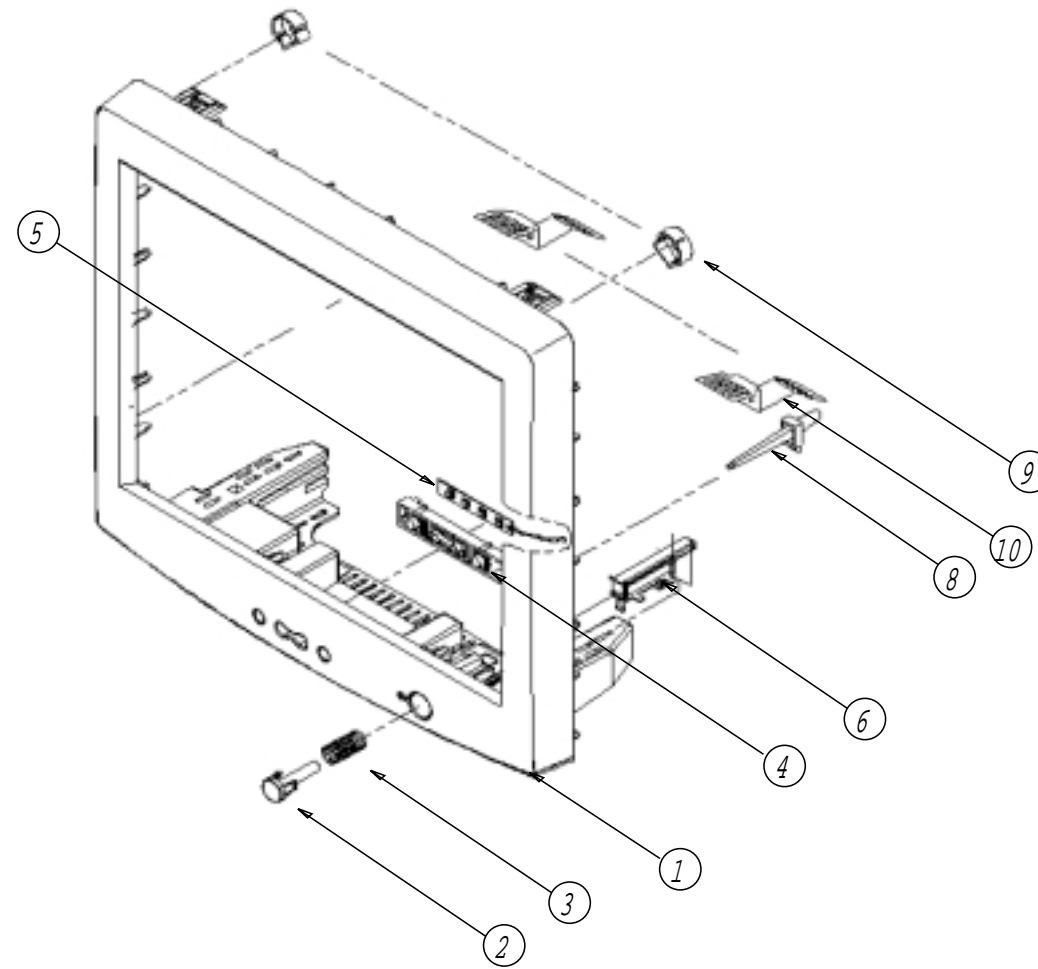
| | | | | | | |
|---------------------|-----|-------------------|-------------|---------------|------|--------|
| BH90-00546A (SA) | 10 | TCO99 STICKER | BH68-00035A | PE CLEAR | 1 | SNA |
| | 9 | K/SPACER | BH72-00294A | ABS HB IV16 | 1 | SNA |
| | 8 | E/PLATE-CDT | BH71-00121A | STS301 TO.15 | 2 | SNA |
| | 7 | CAP/BOSS | BH72-60491B | PVC 80%(GRAY) | 2 | SA |
| | 6 | LENS/LED | BH67-00018A | ACRVL | 1 | SA |
| | 5 | CONTROL/PCB-ASS'Y | BH59-00182A | PN17LT | 1 | SNA |
| | 4 | K/FUNCTION | BH64-00096A | ABS HB IV16 | 1 | SA |
| | 3 | SPRING/COIL | 6107-001036 | SUS PI 0.6 | 1 | SA |
| | 2 | K/POWER | BH64-00098A | ABS HB IV16 | 1 | SA |
| | 1 | C/FRONT | BH63-00057A | ABS,ABS+PC | 1 | SNA |
| CODE NO. | NO. | ITEM | CODE NO. | SPEC. | Q'TY | REMARK |

6-2-1 AN17KT



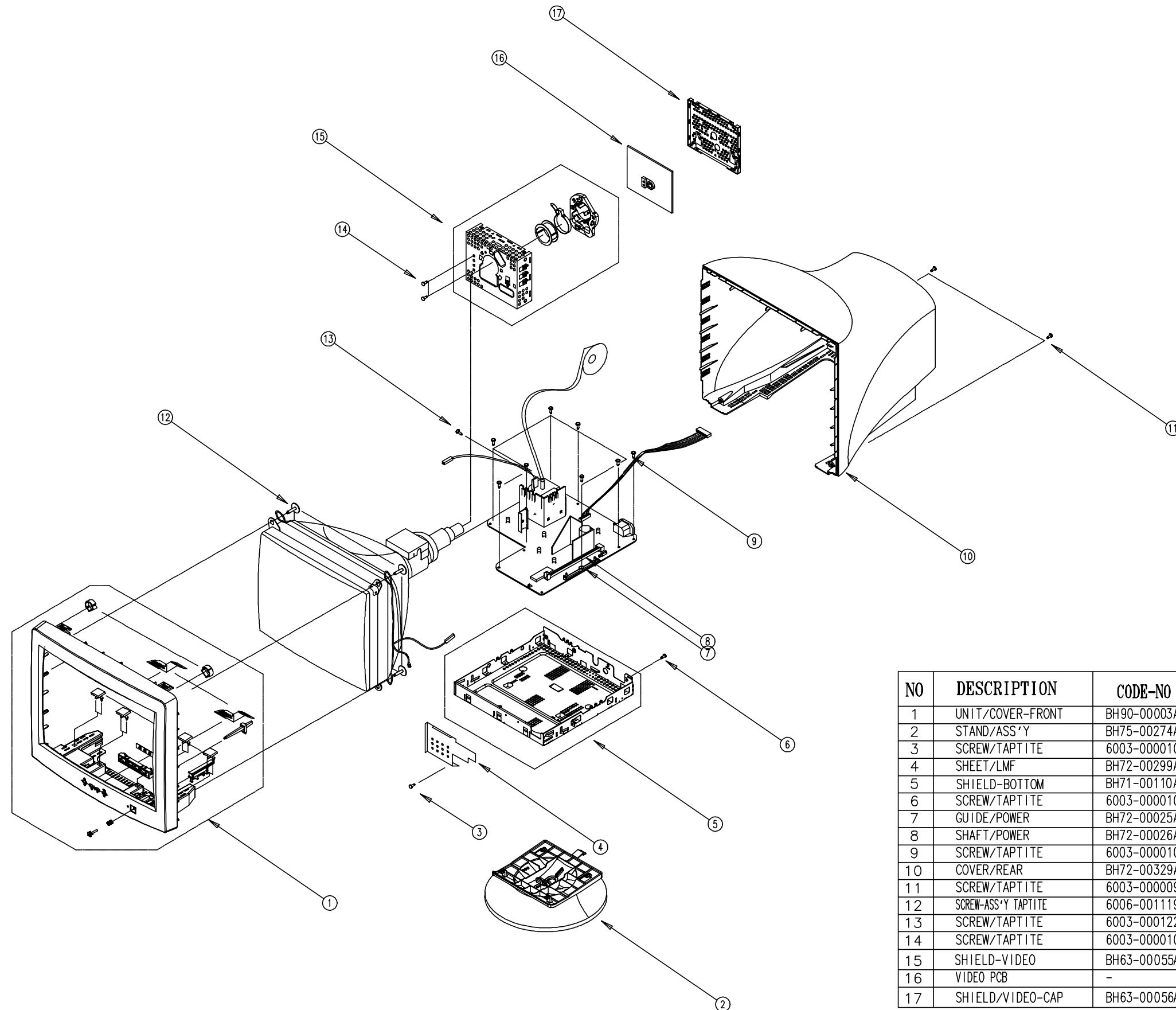
| NO | DESCRIPTION | CODE-NO | SPECIFICATION | Q'TY | REMARK |
|----|-----------------------|-------------|---------------------------|------|--------|
| 1 | UNIT/COVER-FRONT | BH75-00263F | ABS HB 1V16 | 1 | SA |
| 2 | CDT | - | - | 1 | - |
| 3 | SCREW/ASS'Y TAPTITE | 6006-001119 | WPP,BH,D5,L25SECC T1.0 | 1 | SA |
| 4 | SCREW/TAPTITE | 6003-000010 | BH,M3,L10 | 2 | SA |
| 5 | SHIELD-VIDEO | BH63-00055A | SPTF T0.2 | 1 | SNA |
| 6 | VIDEO/PCB | - | - | 1 | - |
| 7 | UNIT/SHIELD-VIDEO-CAP | BH96-00096A | SPTF T0.2 | 1 | SA |
| 8 | COVER/REAR | BH72-00275B | ABS HB 1V16 | 1 | SNA |
| 9 | SCREW/TAPTITE | 6003-000009 | BH,M4,L16 | 2 | SA |
| 10 | SCREW/TAPTITE | 6003-000010 | BH,M3,L10 | 1 | SA |
| 11 | UNIT/STAND-ASS'Y | BH75-00274A | ABS HB 1V16 | 1 | SA |
| 12 | SHEET/LMF | BH72-00261A | AL-FOIL(T0.04)+PET(T0.35) | 1 | SNA |
| 13 | SHIELD-BOTTOM | BH71-00110A | SECC T1.0 | 1 | SNA |
| 14 | SCREW/TAPTITE | 6003-000010 | BH,M3,L10 | 1 | SA |
| 15 | GUIDE/POWER | BH72-00025A | ABS PC 1V16 | 1 | SNA |
| 16 | SHAFT/POWER | BH72-00026A | ABS PC 1V16 | 1 | SNA |
| 17 | MAIN/PCB | - | - | 1 | - |
| 18 | SCREW/TAPTITE | 6003-000010 | BH,M3,L10 | 5 | SA |
| 19 | UNIT/SHIELD-COVER | BH96-00079B | A1050S H14,T0.3 | 1 | SNA |

6-2-2 AN17KT Front



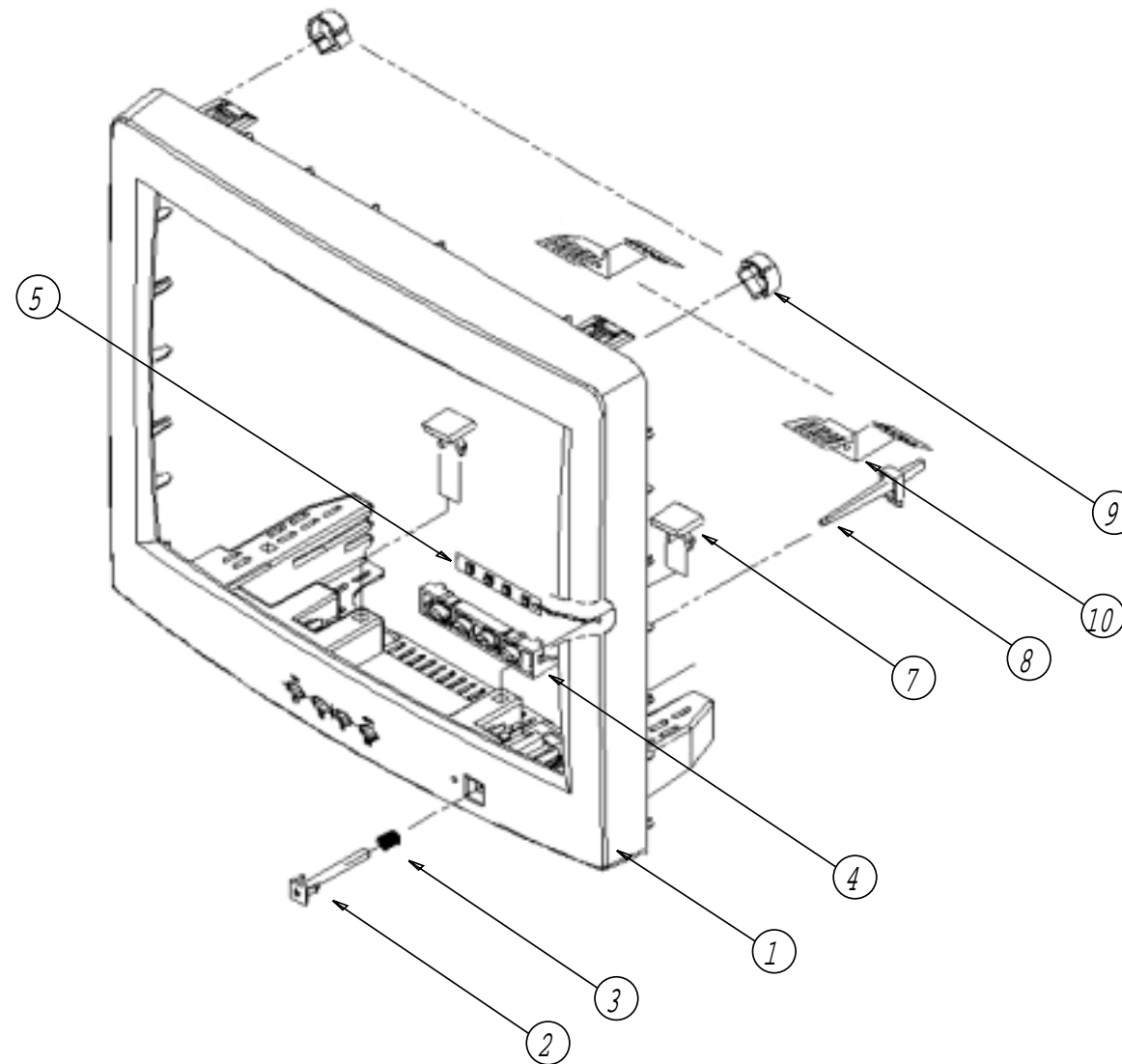
| | | | | | | |
|---------------------|-----|----------------|-------------|---------------|------|--------|
| BH75-00263F (SA) | 12 | ENERGY STICKER | BH68-00127A | PE CLEAR | 1 | SNA |
| | 11 | TCO99 STICKER | BH68-00035A | PE CLEAR | 1 | SNA |
| | 10 | E/PLATE-CDT | BH71-00121A | STS301 TO.15 | 2 | SNA |
| | 9 | CAP/BOSS | BH72-60491B | TPE 80%(GRAY) | 2 | SNA |
| | 8 | LENS/LED | BH67-00018A | ACRVL | 1 | SA |
| | 6 | K/SPACER | BH72-00294A | ABS HB IV16 | 1 | SNA |
| | 5 | FUNCTION/PCB | BH59-00182A | PN17KT | 1 | SNA |
| | 4 | K/FUNCTION | BH64-00074A | ABS HB IV16 | 1 | SA |
| | 3 | SPRING/COIL | 6107-001036 | SUS PI 0.6 | 1 | SA |
| | 2 | K/POWER | BH64-00076A | ABS HB IV16 | 1 | SA |
| | 1 | C/FRONT | BH72-00268A | ABS HB IV16 | 1 | SNA |
| CODE NO. | NO. | ITEM | CODE NO. | SPEC. | Q'TY | REMARK |

6-3-1 AN17LS



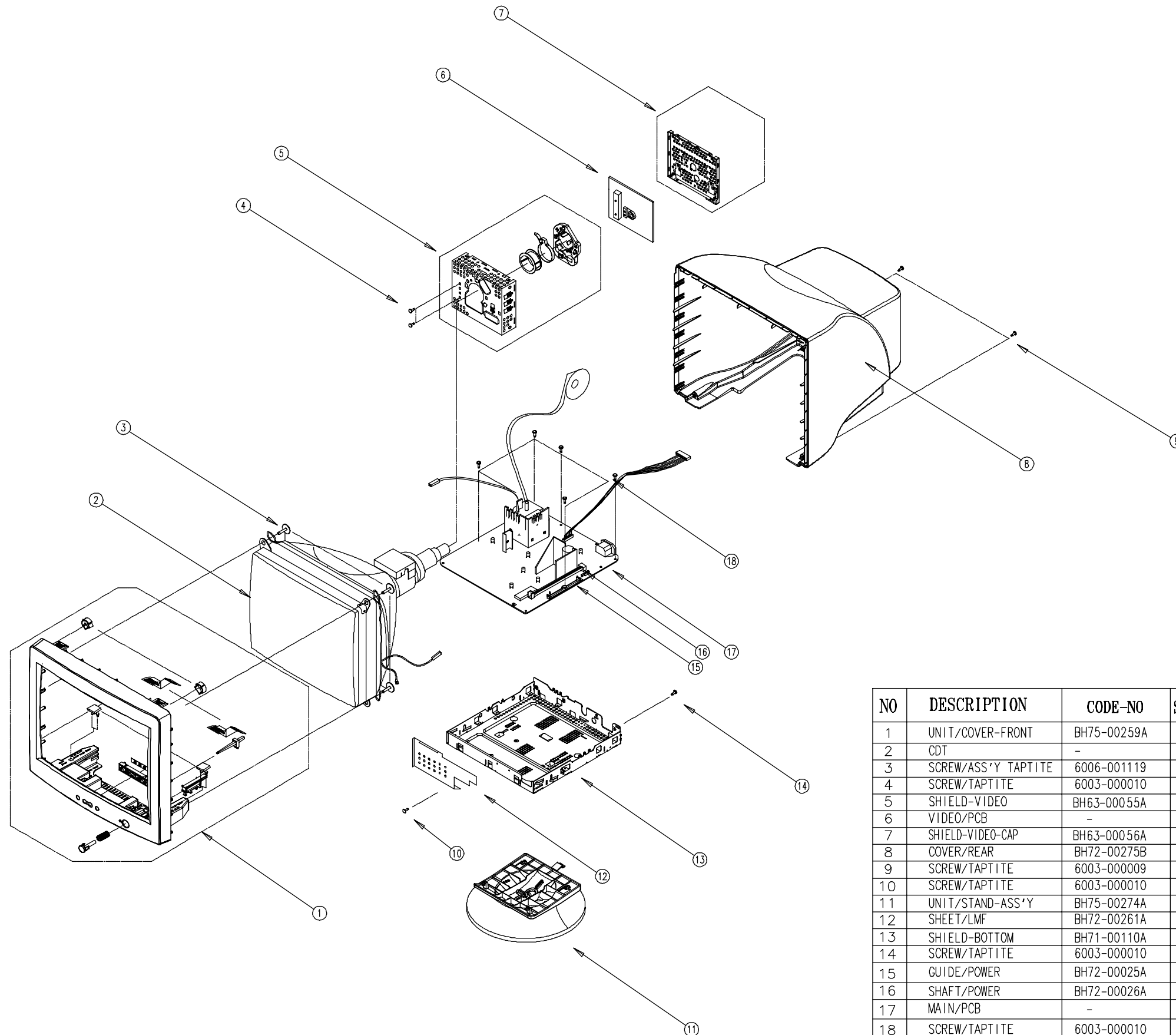
| NO | DESCRIPTION | CODE-NO | SPECIFICATION | Q'TY | REMARK |
|----|---------------------|-------------|-------------------|------|--------|
| 1 | UNIT/COVER-FRONT | BH90-00003A | ABS V0 IV16 | 1 | SA |
| 2 | STAND/ASS'Y | BH75-00274A | ABS HB IV16 | 1 | SA |
| 3 | SCREW/TAPTITE | 6003-000010 | BWH,M3,L10 | 1 | SA |
| 4 | SHEET/LMF | BH72-00299A | AL-FOIL T0.04+PET | 1 | SNA |
| 5 | SHIELD-BOTTOM | BH71-00110A | SECC T1.0 | 1 | SNA |
| 6 | SCREW/TAPTITE | 6003-000010 | BWH,M3,L10 | 1 | SA |
| 7 | GUIDE/POWER | BH72-00025A | ABS PC 5V IV16 | 1 | SNA |
| 8 | SHAFT/POWER | BH72-00026A | ABS PC 5V IV16 | 1 | SNA |
| 9 | SCREW/TAPTITE | 6003-000010 | BWH,M3,L10 | 8 | SA |
| 10 | COVER/REAR | BH72-00329A | ABS V0 IV16 | 1 | SNA |
| 11 | SCREW/TAPTITE | 6003-000009 | BH,M4,L16 | 2 | SA |
| 12 | SCREW-ASS'Y TAPTITE | 6006-001119 | WPP,BH,D5,L25 | 4 | SA |
| 13 | SCREW/TAPTITE | 6003-000122 | BH,M4,L12 | 1 | SA |
| 14 | SCREW/TAPTITE | 6003-000010 | BWH,M3,L10 | 2 | SA |
| 15 | SHIELD-VIDEO | BH63-00055A | SPT T0.2 | 1 | SNA |
| 16 | VIDEO PCB | - | PN17LT | 1 | - |
| 17 | SHIELD/VIDEO-CAP | BH63-00056A | SPT T0.2 | 1 | SNA |

6-3-2 AN17LS Front



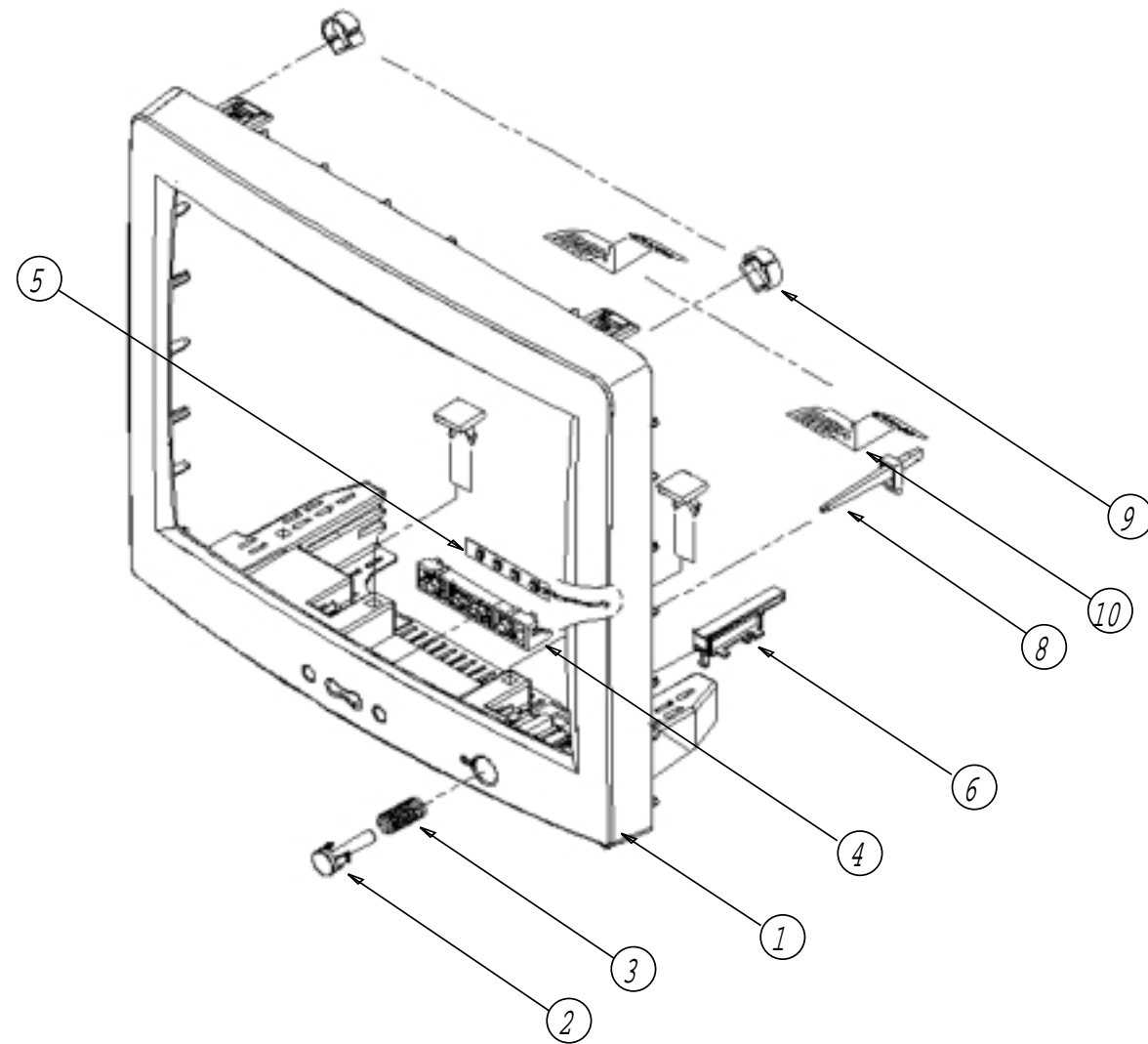
| | | | | | | |
|--------------------|-----|--------------|-------------|---------------|------|--------|
| BH90-0003A (SA) | 10 | E/PLATE-CDT | BH71-00121A | STS301 TO.15 | 2 | SNA |
| | 9 | CAP/BOSS | BH72-60491B | TPE 80%(GRAY) | 2 | SNA |
| | 8 | LENS/LED | BH67-00018A | ACRYL CLR | 1 | SA |
| | 7 | SUPPORT/CDT | BH72-00298A | ABS HB IV16 | 2 | SNA |
| | 5 | FUNCTION/PCB | BH59-00182A | PN17LI | 1 | SNA |
| | 4 | K/FUNCTION | BH64-00096A | ABS HB IV16 | 1 | SA |
| | 3 | SPRING/COIL | 6107-001036 | SUS PI 0.6 | 1 | SA |
| | 2 | K/POWER | BH64-00133A | ABS HB IV16 | 1 | SA |
| | 1 | C/FRONT | BH72-00328A | ABS VO IV16 | 1 | SNA |
| CODE NO. | NO. | ITEM | CODE NO. | SPEC. | Q'TY | REMARK |

6-4-1 AN17LT



| NO | DESCRIPTION | CODE-NO | SPECIFICATION | Q'TY | REMARK |
|----|---------------------|-------------|---------------------------|------|--------|
| 1 | UNIT/COVER-FRONT | BH75-00259A | ABS HB IV16 | 1 | SA |
| 2 | CDT | - | - | 1 | - |
| 3 | SCREW/ASS'Y TAPTITE | 6006-001119 | WPP,BH,DS,L25SECC T1.0 | 1 | SA |
| 4 | SCREW/TAPTITE | 6003-000010 | BH,M3,L10 | 2 | SA |
| 5 | SHIELD-VIDEO | BH63-00055A | SPTE T0.2 | 1 | SNA |
| 6 | VIDEO/PCB | - | - | 1 | - |
| 7 | SHIELD-VIDEO-CAP | BH63-00056A | SPTE T0.2 | 1 | SNA |
| 8 | COVER/REAR | BH72-00275B | ABS HB IV16 | 1 | SNA |
| 9 | SCREW/TAPTITE | 6003-000009 | BH,M4,L16 | 2 | SA |
| 10 | SCREW/TAPTITE | 6003-000010 | BH,M3,L10 | 1 | SA |
| 11 | UNIT/STAND-ASS'Y | BH75-00274A | ABS HB IV16 | 1 | SA |
| 12 | SHEET/LMF | BH72-00261A | AL-F01L(T0.04)+PET(T0.35) | 1 | SNA |
| 13 | SHIELD-BOTTOM | BH71-00110A | SECC T1.0 | 1 | SNA |
| 14 | SCREW/TAPTITE | 6003-000010 | BH,M3,L10 | 1 | SA |
| 15 | GUIDE/POWER | BH72-00025A | ABS PC IV16 | 1 | SNA |
| 16 | SHAFT/POWER | BH72-00026A | ABS PC IV16 | 1 | SNA |
| 17 | MAIN/PCB | - | - | 1 | - |
| 18 | SCREW/TAPTITE | 6003-000010 | BH,M3,L10 | 5 | SA |

6-4-2 AN17LT Front



| | | | | | | |
|---------------------|-----|--------------|-------------|---------------|------|--------|
| BH75-00259A (SA) | 10 | E/PLATE-CDT | BH71-00121A | STS401 TO.15 | 2 | SNA |
| | 9 | CAP/BOSS | BH72-60491B | TPE 80%(GRAY) | 2 | SA |
| | 8 | LENS/LED | BH67-00018A | ACRVL | 1 | SA |
| | 7 | SUPPORT/CDT | BH72-00298A | ABS HB IV16 | 2 | SNA |
| | 6 | K/SPACER | BH72-00294A | ABS HB IV16 | 1 | SNA |
| | 5 | FUNCTION/PCB | BH59-00182A | PN17LT | 1 | SNA |
| | 4 | K/FUNCTION | BH64-00074A | ABS HB IV16 | 1 | SA |
| | 3 | SPRING/COIL | 6107-001036 | SUS PI 0.6 | 1 | SA |
| | 2 | K/POWER | BH64-00010A | ABS HB IV16 | 1 | SA |
| | 1 | C/FRONT | BH72-00271A | ABS VO IV16 | 1 | SNA |
| CODE NO. | NO. | ITEM | CODE NO. | SPEC. | Q'TY | REMARK |

7 Electrical Parts List

7-1-1 AN17K* Main PCB Parts

| Loc. No. | Code No. | Description | Specification | Remarks |
|------------|-------------|-------------------|--|---------|
| - | BH94-00823A | ASSY PCB MAIN | AN17KS | SNA |
| AN_LABEL | BH68-00446D | LABEL | AN-STICKER,ART-PAPER 100G,15,15,BLACK,YELLOW | |
| C409 | 2306-000248 | C-FILM,MPPF | 680nF,5%,250V,BK,26.5x16.5mm,2 | |
| C430 | 2301-001125 | C-FILM,MPPF | 600nF,5%,250V,TP,26x20x11.5,20 | |
| C601 | 2301-001195 | C-FILM,MPPF | 150nF,10%,275VAC,BK,26x16.5x7, | |
| C602 | 2301-001195 | C-FILM,MPPF | 150nF,10%,275VAC,BK,26x16.5x7, | |
| C608 | 2401-002128 | C-AL | 220uF,20%,400V,GP,BK,25x40mm,10 | |
| CIS1 | 0202-001044 | SOLDER-WIRE. | S63S-W3.0,S63S,D3.63Sn/37Pb,- | SNA |
| CIS11 | BH68-00001A | LABEL-MARK CDT | ART-PAPER 100G,-,WHT,BLK,-,ALL,CDT | SNA |
| CIS12 | BH71-00110A | SHIELD BOTTOM | PN15VT,SECC ,T1.0 | SNA |
| CIS13 | BH72-00025A | GUIDE-POWER | CDA4507,ABS,V0,IV16 | SNA |
| CIS14 | BH72-00026A | SHAFT-POWER | CDA4507,ABS,V0,IV16 | SNA |
| CIS15 | BH72-00261A | SHEET ABS-LMF | IB10LO,AL+PET,-,-,-,-,-,-,- | SNA |
| CIS16 | BH73-60304C | RUBBER-SUPPORT | DP15LT,CR V0,GRAY,-,14*7*10,-,- | SNA |
| CIS2 | 0202-001046 | SOLDER-WIRE FLUX | CF-110VH-2A,-,-,-,- | SNA |
| CIS3 | 0202-001222 | SOLDER-WIRE FLUX | RS-107,RS60-1.2AA,D1.2,SN60/PB40,- | SNA |
| CIS4 | 0204-001095 | THINNER | #4520,-,-,- | SNA |
| CIS8 | 3301-000233 | CORE-FERRITE | ZZ,18x9.5x28mm,-,- | SNA |
| CLAMP1 | 6502-000001 | CABLE CLAMP | DAWH-5NB,D15,L35,NYLON66,NTR | SNA |
| CLAMP2 | 6502-000001 | CABLE CLAMP | DAWH-5NB,D15,L35,NYLON66,NTR | SNA |
| CN201 | 3711-003895 | CONNECTOR-HEADER | BOX,13P,1R,2mm,STRAIGHT,SN | SNA |
| CN202 | 3711-003873 | CONNECTOR-HEADER | BOX,7P,1R,2mm,STRAIGHT,SN | SNA |
| CN404 | 3711-003989 | CONNECTOR-HEADER | NOWALL,4P,1R,8mm,STRAIGHT,SN | SNA |
| CN501_G2 | BH39-00242A | CBF HARNESS | DB5907,UJ1032,UJ/CSA,1P,290MM,RED,AWG22,YFH800,YPT-018,-,-,-,-,-,CBF-GND ASS'Y | |
| CN601 | 3721-001053 | PLUG-AC POWER | 3P,-,-,NI | |
| CN604 | BH39-00288A | CBF HARNESS | PN17L0,UJ1007,UJ/CSA,2P/2P,130MM,BLU/WHT,AWG26,YBNH200,SMP250,-,-,-,-,-,CBF-CO | |
| D406 | 0402-001025 | DIODE-RECTIFIER | ERD07-15,1.5KV,1.5A,-,TP | |
| D409 | 0402-001295 | DIODE-RECTIFIER | GUR460L-5700,600V,4A,DO-201AD,BK | |
| D601 | 0402-000103 | DIODE-BRIDGE | D2SBA60,600V,1.5A,SIP-4,ST | |
| D608 | 0402-001456 | DIODE-RECTIFIER | UG2D,200V,2A,DO-204AC,BK | |
| D609 | 0402-000005 | DIODE-RECTIFIER | 31DF4,400V,3A,DO-201AD,BK | |
| D611 | 0402-001456 | DIODE-RECTIFIER | UG2D,200V,2A,DO-204AC,BK | |
| FUSE | 3601-001302 | FUSE-AXIAL LEAD | 250V,3.15A,SLOW-BLOW,CERAMIC,5X20MM | SNA |
| IC201 SOCK | 3704-001071 | SOCKET-IC | 42P,DIP,SN,1.778mm | |
| IC401 | 1204-002013 | IC-DEF. PROCESSOR | STV6888,DIP,32P,400MIL,PLASTIC,13.2V,-,OTO+70C,ST,100KHZ | |
| IC605 | 0604-001018 | PHOTO-COUPLER | DAR-TR,63-125%,200mW,DIP-4,ST | SNA |
| L401 | BH27-00131A | COIL CHOKE | 150UH,AN17K,150UH,10%,0.35OHM,2.5A,AR8X25,72.5TS,18X39MM,11MM,BK | |
| L402 | BH27-00135A | COIL CHOKE | 120UH,CDTMO,120UH,10%,0.23OHM,5A,AR8X25,65.5TS,18X40MM,11MM,USTCO,12X20,TR,-10CT | |
| L403 | BH27-20342U | COIL-CHOKE | -,-,8.2MH(250KHZ),10%,DR8*11,-,-,-,-,-,10.5OHM,-,-,-,-,-,BULK | |
| L601 | BH29-00001A | FILTER LINE NOISE | CDTMO,30MH,0.39OHM,30MH,26X21X36MM,300KHZ,35KOHM,220V,BK,30MH MIN,100MOHM,-10CTO | |
| OP201 | 0601-001147 | LED | ROUND,GRN,4.75mm,565nm | SNA |
| Q409 | 0505-001675 | FET-SILICON | IRF630B,N,200V,9A,0.4OHM,72W,TO-220 | |
| Q410 | 0505-001675 | FET-SILICON | IRF630B,N,200V,9A,0.4OHM,72W,TO-220 | |
| RL601 | 3501-001111 | RELAY-POWER | 12Vdc,250mW,5A,1FormA,15mS,5mS | |
| S_CABLE | BH39-00405A | CBF SIGNAL | AN15/17**,-,15P/06P,07P,20276-N,1500MM,UJ20276,IVORY,D-SUB/MALE,ATT. TYPE | |
| SW401 | 3406-000002 | SWITCH-ROTARY | 36Vdc,200mA,SP3T,- | |
| SW601 | 3403-001132 | SWITCH-PUSH | 30VDC,0.3A,DPST,SELF LOCK,- | |
| T401 | BH26-00027A | TRANS-HOR.DRIVE | -,-,-,-,-,-,-,-,-,-,-,PL-3,EI 1916,310uH,-,-,- | △ |
| T402 | BH27-00139A | COIL LINEARITY | 6.4UH,6.4UH,DR1215 C:4.5,7.0MM,13.8X14.5X46MM,12X8T,25TS,BK,12%,0.04OHM,USTCO,12 | |
| T501 | BH26-00143A | TRANS FBT | FQM17B015,AN17L,1.21MH,SM19C,FUR3757SU,0.510OHM,153.7V,13P,-10 -60,BK,27.0KV | △ |
| T502 | BH26-00114A | TRANS-FOUCS | EE-1916,PN17L,5P,1.7mH,-,-,70mH,-,-,0.85ohm/8.5ohm,-,-,PL3,DNR30,EE-1916,20uH MAX, | |
| T601 | BH26-00142A | TRANS SWITCHING | EER3435,AN17L,90 ~264,EER3435,350UH,89.0UH | |
| T602 | BH26-00141A | TRANS-SYNC | AR0615(L-81),AN17L,5P,200UH,200UH,1.30 OHM,L-81,AR0630, BAR,18*13*18.5,BK | |

| Loc. No. | Code No. | Description | Specification | Remarks |
|----------|-------------|----------------------|---|---------|
| TH601 | 1404-001264 | THERMISTOR-PTC | 4.50HM,+30/-20%,220V,290VAC,21A,-,TR | |
| TH602 | 1404-001020 | THERMISTOR-NTC | 8ohm,15%,-,17mW/C,BK | |
| CIS7 | BH97-00330E | ASSY MICOM | AN17KS | |
| IC201 | 0903-001194 | IC-MICROCONTROLLER | 3P863,8BIT,SDIP,42P,600MIL,12MHz,ST,CMOS,PLASTIC,5V,-,40to+85C,1040BYTE,48KBYTE | |
| CIS | BH46-00005T | S/W MICOM | AN17KS | SNA |
| - | BH97-00346A | ASSY AUTO-MAIN | AN17KS | SNA |
| BD301 | 3301-001450 | CORE-FERRITE BEAD | AA,450HM,3.5X0.6X5.7MM,50MA,TP,SN-20(UI2000),- | SNA |
| BD302 | 3301-001450 | CORE-FERRITE BEAD | AA,450HM,3.5X0.6X5.7MM,50MA,TP,SN-20(UI2000),- | SNA |
| BD401 | 3301-001450 | CORE-FERRITE BEAD | AA,450HM,3.5X0.6X5.7MM,50MA,TP,SN-20(UI2000),- | SNA |
| BD402 | 3301-001450 | CORE-FERRITE BEAD | AA,450HM,3.5X0.6X5.7MM,50MA,TP,SN-20(UI2000),- | SNA |
| BD403 | 3301-001450 | CORE-FERRITE BEAD | AA,450HM,3.5X0.6X5.7MM,50MA,TP,SN-20(UI2000),- | SNA |
| BD404 | 3301-001450 | CORE-FERRITE BEAD | AA,450HM,3.5X0.6X5.7MM,50MA,TP,SN-20(UI2000),- | SNA |
| BD410 | 3301-001450 | CORE-FERRITE BEAD | AA,450HM,3.5X0.6X5.7MM,50MA,TP,SN-20(UI2000),- | SNA |
| BD601 | 3301-001450 | CORE-FERRITE BEAD | AA,450HM,3.5X0.6X5.7MM,50MA,TP,SN-20(UI2000),- | SNA |
| BD602 | 3301-001450 | CORE-FERRITE BEAD | AA,450HM,3.5X0.6X5.7MM,50MA,TP,SN-20(UI2000),- | SNA |
| BD603 | 3301-001450 | CORE-FERRITE BEAD | AA,450HM,3.5X0.6X5.7MM,50MA,TP,SN-20(UI2000),- | SNA |
| BD605 | 3301-001450 | CORE-FERRITE BEAD | AA,450HM,3.5X0.6X5.7MM,50MA,TP,SN-20(UI2000),- | SNA |
| C201 | 2401-000010 | C-AL | 220uF,20%,16V,GP,-,6.3x11mm,2. | |
| C202 | 2201-000389 | C-CERAMIC,DISC | 0.022nF,5%,50V,NPO,TP,5x3,5 | |
| C203 | 2201-000389 | C-CERAMIC,DISC | 0.022nF,5%,50V,NPO,TP,5x3,5 | |
| C204 | 2301-000148 | C-FILM,PEF | 10nF,5%,100V,TP,7x3.2x7mm,5mm | |
| C205 | 2401-000603 | C-AL | 1uF,20%,50V,GP,TP,5x11,5 | |
| C207 | 2401-000603 | C-AL | 1uF,20%,50V,GP,TP,5x11,5 | |
| C209 | 2401-002075 | C-AL | 4.7uF,20%,50V,GP,TP,5x11,5 | |
| C210 | 2401-000603 | C-AL | 1uF,20%,50V,GP,TP,5x11,5 | |
| C211 | 2201-000146 | C-CERAMIC,DISC | 0.1nF,5%,50V,SL,TP,5x3,5,5 | |
| C212 | 2201-000017 | C-CERAMIC,DISC | 1nF,10%,50V,Y5P,TP,5x3,5,5 | |
| C213 | 2301-000010 | C-FILM,PEF | 100nF,5%,100V,TP,11.5x12.5mm,5 | |
| C214 | 2401-000025 | C-AL | 100uF,20%,16V,GP,TP,6.3x11,5 | |
| C215 | 2201-000146 | C-CERAMIC,DISC | 0.1nF,5%,50V,SL,TP,5x3,5,5 | |
| C216 | 2401-002075 | C-AL | 4.7uF,20%,50V,GP,TP,5x11,5 | |
| C301 | 2301-001049 | C-FILM,MPEF | 150nF,5%,100V,TP,10.5x5x14.5,5 | |
| C302 | 2305-000412 | C-FILM,MPEF | 470nF,5%,63V,TP,-,5mm | |
| C303 | 2401-000031 | C-AL | 47uF,20%,16V,GP,TP,5x11,5 | |
| C304 | 2301-000519 | C-FILM,PEF | 3.3nF,5%,100V,TP,5.8x3x12.5,5m | |
| C305 | 2401-000037 | C-AL | 470uF,20%,16V,GP,TP,8x11.5,5 | |
| C306 | 2401-000856 | C-AL | 220uF,20%,35V,WT,TP,10x20,5 | |
| C307 | 2305-000237 | C-FILM,MPEF | 1uF,5%,63V,TP,7.5x15.5mm,5mm | |
| C308 | 2301-000148 | C-FILM,PEF | 10nF,5%,100V,TP,7x3.2x7mm,5mm | |
| C309 | 2202-002009 | C-CERAMIC,MLC-AXIAL | 100nF,+80-20%,50V,Y5V,TP,2.3X3 | |
| C312 | 2401-000050 | C-AL | 10uF,20%,16V,GP,TP,5x11,2,5 | |
| C340 | 2202-002008 | C-CERAMIC,MLC-AXIAL | 10nF,+80-20%,50V,Y5V,TP,2.3X3. | |
| C401 | 2401-000031 | C-AL | 47uF,20%,16V,GP,TP,5x11,5 | |
| C402 | 2305-000665 | C-FILM,MPEF | 100nF,5%,63V,TP,7.5x4.0x5.0mm, | |
| C403 | 2202-000573 | C-CERAMIC,MLC-RADIAL | 820pF,5%,50V,NPO,TP,5.1x3.2x5. | |
| C404 | 2301-000148 | C-FILM,PEF | 10nF,5%,100V,TP,7x3.2x7mm,5mm | |
| C405 | 2201-000471 | C-CERAMIC,DISC | 0.33nF,10%,50V,Y5P,TP,4x3,5,5 | |
| C406 | 2301-000203 | C-FILM,PEF | 2.7nF,5%,100V,TP,7x3.0x6.5mm,5 | |
| C407 | 2401-003826 | C-AL | 220UF,20%,63V,LR,TP,10X25MM,5 | |
| C408 | 2201-000291 | C-CERAMIC,DISC | 1nF,10%,500V,Y5P,TP,7.5x3,5,5 | |
| C410 | 2401-000025 | C-AL | 100uF,20%,16V,GP,TP,6.3x11,5 | |
| C411 | 2301-000005 | C-FILM,PEF | 33nF,5%,100V,TP,5.8x12.5x3,5 | |
| C412 | 2301-000016 | C-FILM,PEF | 22nF,5%,100V,TP,7.2x4.5x9.0mm, | |

| Loc. No. | Code No. | Description | Specification | Remarks |
|----------|-------------|---------------------|-------------------------------------|---------|
| C413 | 2401-001012 | C-AL | 3.3UF,20%,50V,BP,TP,16X25,7.5 | |
| C414 | 2401-001334 | C-AL | 470nF,20%,50V,GP,TP,5x11,2.5 | |
| C415 | 2401-001222 | C-AL | 4.7UF,20%,160V,WT,TP,8X11.5MM,5 | |
| C416 | 2301-000010 | C-FILM,PEF | 100nF,5%,100V,TP,11.5x12.5mm,5 | |
| C419 | 2309-000106 | C-FILM,MPE-PPF | 2.2nF,5%,1.6KV,TP,23x16x9,7.5m | △ |
| C420 | 2303-000165 | C-FILM,PPF | 2.5nF,5%,1.6KV,TP,21x6.8x12.6mm,7.5 | △ |
| C421 | 2303-001029 | C-FILM,PPF | 5.2nF,5%,630V,TP,19x7x13,7.5 | |
| C423 | 2401-000603 | C-AL | 1uF,20%,50V,GP,TP,5x11,5 | |
| C425 | 2306-000125 | C-FILM,MPPF | 120nF,5%,250V,TP,19x15x7,7.5mm | |
| C426 | 2401-000603 | C-AL | 1uF,20%,50V,GP,TP,5x11,5 | |
| C427 | 2306-000131 | C-FILM,MPPF | 150nF,5%,250V,TP,19x16x7.5,7.5 | |
| C429 | 2401-000603 | C-AL | 1uF,20%,50V,GP,TP,5x11,5 | |
| C431 | 2301-001324 | C-FILM,MPPF | 200nF,5%,250V,TP,17.5x7x13mm,7.5 | |
| C432 | 2305-001033 | C-FILM,MPEF | 15nF,10%,250V,TP,13X9.0X4.5mm, | |
| C433 | 2305-001003 | C-FILM,MPEF | 10nF,5%,250V,TP,13x4.5x9mm,7.5 | |
| C436 | 2201-000291 | C-CERAMIC,DISC | 1nF,10%,500V,Y5P,TP,7.5x3.5,5 | |
| C440 | 2401-001914 | C-AL | 1uF,20%,50V,BP,TP,5x11,5 | |
| C461 | 2401-002075 | C-AL | 4.7uF,20%,50V,GP,TP,5x11,5 | |
| C462 | 2301-000148 | C-FILM,PEF | 10nF,5%,100V,TP,7x3.2x7mm,5mm | |
| C463 | 2401-000597 | C-AL | 1uF,20%,50V,GP,TP,4x7mm,1.5mm | |
| C501 | 2301-000016 | C-FILM,PEF | 22nF,5%,100V,TP,7.2x4.5x9.0mm, | |
| C502 | 2401-000050 | C-AL | 10uF,20%,16V,GP,TP,5x11,2.5 | |
| C503 | 2201-000119 | C-CERAMIC,DISC | 100nF,+80-20%,50V,Y5V,TP,8x3,5 | |
| C504 | 2201-000471 | C-CERAMIC,DISC | 0.33nF,10%,50V,Y5P,TP,4x3.5,5 | |
| C505 | 2401-000059 | C-AL | 220nF,20%,50V,GP,-,5x11,5 | |
| C508 | 2401-002267 | C-AL | 2.2uF,20%,250V,GP,TP,8x11.5,5 | |
| C509 | 2401-000625 | C-AL | 2.2uF,20%,160V,GP,TP,6.3x11,5 | |
| C510 | 2301-000294 | C-FILM,PEF | 56nF,5%,100V,TP,9.5x12.5mm,5mm | |
| C512 | 2201-000152 | C-CERAMIC,DISC | 10NF,+80-20%,1KV,Y5V,TP,20*4,5 | |
| C513 | 2201-000291 | C-CERAMIC,DISC | 1nF,10%,500V,Y5P,TP,7.5x3.5,5 | |
| C514 | 2201-000469 | C-CERAMIC,DISC | 0.33nF,10%,500V,Y5P,TP,5.5x3,5 | |
| C515 | 2201-000469 | C-CERAMIC,DISC | 0.33nF,10%,500V,Y5P,TP,5.5x3,5 | |
| C516 | 2201-000469 | C-CERAMIC,DISC | 0.33nF,10%,500V,Y5P,TP,5.5x3,5 | |
| C517 | 2201-000469 | C-CERAMIC,DISC | 0.33nF,10%,500V,Y5P,TP,5.5x3,5 | |
| C518 | 2201-000019 | C-CERAMIC,DISC | 10nF,+80-20%,500V,Y5V,TP,13.5x4mm,5 | |
| C541 | 2301-000004 | C-FILM,PEF | 2.2nF,5%,100V,TP,5.5X10X2.9,5m | |
| C551 | 2401-000050 | C-AL | 10uF,20%,16V,GP,TP,5x11,2.5 | |
| C552 | 2201-000132 | C-CERAMIC,DISC | 0.1nF,10%,500V,Y5P,TP,6.5x3,5 | |
| C553 | 2201-000291 | C-CERAMIC,DISC | 1nF,10%,500V,Y5P,TP,7.5x3.5,5 | |
| C603 | 2201-000024 | C-CERAMIC,DISC | 4.7nF,20%,250VAC,Y5U,TP,16x7,7 | |
| C604 | 2201-000024 | C-CERAMIC,DISC | 4.7nF,20%,250VAC,Y5U,TP,16x7,7 | |
| C606 | 2301-000005 | C-FILM,PEF | 33nF,5%,100V,TP,5.8x12.5x3,5 | |
| C607 | 2202-002009 | C-CERAMIC,MLC-AXIAL | 100nF,+80-20%,50V,Y5V,TP,2.3X3 | |
| C609 | 2401-000015 | C-AL | 33uF,20%,50V,WT,-,6.3x11mm,2.5 | |
| C610 | 2401-000025 | C-AL | 100uF,20%,16V,GP,TP,6.3x11,5 | |
| C611 | 2401-000613 | C-AL | 1uF,20%,50V,WT,TP,5x11,5 | |
| C612 | 2401-000613 | C-AL | 1uF,20%,50V,WT,TP,5x11,5 | |
| C613 | 2201-000012 | C-CERAMIC,DISC | 0.22nF,10%,1KV,Y5P,TP,6.3x5,5 | |
| C614 | 2201-000019 | C-CERAMIC,DISC | 10nF,+80-20%,500V,Y5V,TP,13.5x4mm,5 | |
| C615 | 2201-000291 | C-CERAMIC,DISC | 1nF,10%,500V,Y5P,TP,7.5x3.5,5 | |
| C616 | 2201-000023 | C-CERAMIC,DISC | 2.2nF,20%,125V,Y5U,TP,11x7,5 | |
| C617 | 2201-000023 | C-CERAMIC,DISC | 2.2nF,20%,125V,Y5U,TP,11x7,5 | |
| C618 | 2401-000039 | C-AL | 1000uF,20%,16V,GP,TP,10x16,5 | |
| C619 | 2201-000469 | C-CERAMIC,DISC | 0.33nF,10%,500V,Y5P,TP,5.5x3,5 | |
| C620 | 2401-003826 | C-AL | 220UF,20%,63V,LR,TP,10X25MM,5 | |

| Loc. No. | Code No. | Description | Specification | Remarks |
|----------|-------------|---------------------|-------------------------------------|---------|
| C621 | 2401-001576 | C-AL | 47uF,20%,50V,GP,TP,8x11.5,5 | |
| C622 | 2401-000039 | C-AL | 1000uF,20%,16V,GP,TP,10x16,5 | |
| C623 | 2401-000039 | C-AL | 1000uF,20%,16V,GP,TP,10x16,5 | |
| C624 | 2301-000004 | C-FILM,PEF | 2.2nF,5%,100V,TP,5.5X10X2.9,5m | |
| C625 | 2301-000174 | C-FILM,PEF | 15nF,5%,100V,TP,7.2x4.0x7.5mm, | |
| C626 | 2401-000025 | C-AL | 100uF,20%,16V,GP,TP,6.3x11,5 | |
| C627 | 2401-000292 | C-AL | 100uF,20%,16V,WT,TP,8x11.5mm,5 | |
| C628 | 2201-000019 | C-CERAMIC,DISC | 10nF,+80-20%,500V,Y5V,TP,13.5x4mm,5 | |
| C629 | 2202-002009 | C-CERAMIC,MLC-AXIAL | 100nF,+80-20% 50V,Y5V,TP,2.3X3 | |
| C630 | 2401-000037 | C-AL | 470uF,20%,16V,GP,TP,8x11.5,5 | |
| C631 | 2401-000292 | C-AL | 100uF,20%,16V,WT,TP,8x11.5mm,5 | |
| C633 | 2401-000603 | C-AL | 1uF,20%,50V,GP,TP,5x11,5 | |
| C634 | 2401-000480 | C-AL | 10uF,20%,50V,GP,TP,5x11,5 | |
| C635 | 2401-001576 | C-AL | 47uF,20%,50V,GP,TP,8x11.5,5 | |
| C636 | 2301-000013 | C-FILM,PEF | 4.7nF,5%,100V,TP,10.5x12.5x6.5 | |
| C643 | 2201-000017 | C-CERAMIC,DISC | 1nF,10%,50V,Y5P,TP,5x3.5,5 | |
| C649 | 2202-002009 | C-CERAMIC,MLC-AXIAL | 100nF,+80-20% 50V,Y5V,TP,2.3X3 | |
| CIS5 | 0203-001199 | TAPE-KRAFT | #53110,TO.1,W6,L2000M,BRN | SNA |
| CIS6 | 0203-001200 | TAPE-PAPER | #53128,TO.15,W5.5,L2000M,BEIGE | SNA |
| CN304 | 3711-000197 | CONNECTOR-HEADER | 1WALL,3P,1R,2.5mm,STRAIGHT,SN | SNA |
| CN501 | 6042-000001 | EYELET | ID2.2,OD2.7,L3.1,SN,BSS3-E/EH | SNA |
| CN603 | 3711-000217 | CONNECTOR-HEADER | 1WALL,3P,1R,3.96mm,STRAIGHT,SN | SNA |
| D201 | 0401-000005 | DIODE-SWITCHING | 1N4148,100V,200mA,DO-35,TP | |
| D301 | 0402-000274 | DIODE-RECTIFIER | UF4004,400V,1A,DO-41,TP | |
| D302 | 0401-000005 | DIODE-SWITCHING | 1N4148,100V,200mA,DO-35,TP | |
| D303 | 0402-000546 | DIODE-RECTIFIER | TVR10G,400V,1.0A,DO-41,TP | |
| D401 | 0402-000274 | DIODE-RECTIFIER | UF4004,400V,1A,DO-41,TP | |
| D402 | 0402-000006 | DIODE-RECTIFIER | 1N4007GP,1000V,1A,DO-41,TP | |
| D403 | 0402-000006 | DIODE-RECTIFIER | 1N4007GP,1000V,1A,DO-41,TP | |
| D404 | 0402-000006 | DIODE-RECTIFIER | 1N4007GP,1000V,1A,DO-41,TP | |
| D405 | 0402-000208 | DIODE-RECTIFIER | EK-04,40V,1.5A,DO-41 | |
| D407 | 0402-000274 | DIODE-RECTIFIER | UF4004,400V,1A,DO-41,TP | |
| D410 | 0402-000546 | DIODE-RECTIFIER | TVR10G,400V,1.0A,DO-41,TP | |
| D411 | 0402-000546 | DIODE-RECTIFIER | TVR10G,400V,1.0A,DO-41,TP | |
| D412 | 0402-000274 | DIODE-RECTIFIER | UF4004,400V,1A,DO-41,TP | |
| D413 | 0402-000546 | DIODE-RECTIFIER | TVR10G,400V,1.0A,DO-41,TP | |
| D414 | 0401-000005 | DIODE-SWITCHING | 1N4148,100V,200mA,DO-35,TP | |
| D415 | 0401-000005 | DIODE-SWITCHING | 1N4148,100V,200mA,DO-35,TP | |
| D416 | 0401-000005 | DIODE-SWITCHING | 1N4148,100V,200mA,DO-35,TP | |
| D419 | 0402-000274 | DIODE-RECTIFIER | UF4004,400V,1A,DO-41,TP | |
| D420 | 0401-000005 | DIODE-SWITCHING | 1N4148,100V,200mA,DO-35,TP | |
| D421 | 0401-000004 | DIODE-SWITCHING | 1SS244,250V,625mA,DO-34,TP | |
| D501 | 0401-000005 | DIODE-SWITCHING | 1N4148,100V,200mA,DO-35,TP | |
| D502 | 0402-000017 | DIODE-RECTIFIER | RGPO2-12,1200V,0.5A,DO-204AL,T | |
| D503 | 0402-000546 | DIODE-RECTIFIER | TVR10G,400V,1.0A,DO-41,TP | |
| D504 | 0402-000546 | DIODE-RECTIFIER | TVR10G,400V,1.0A,DO-41,TP | |
| D505 | 0401-000005 | DIODE-SWITCHING | 1N4148,100V,200mA,DO-35,TP | |
| D506 | 0401-000005 | DIODE-SWITCHING | 1N4148,100V,200mA,DO-35,TP | |
| D508 | 0401-000005 | DIODE-SWITCHING | 1N4148,100V,200mA,DO-35,TP | |
| D509 | 0401-000005 | DIODE-SWITCHING | 1N4148,100V,200mA,DO-35,TP | |
| D510 | 0401-000005 | DIODE-SWITCHING | 1N4148,100V,200mA,DO-35,TP | |
| D511 | 0401-000005 | DIODE-SWITCHING | 1N4148,100V,200mA,DO-35,TP | |
| D512 | 0402-000017 | DIODE-RECTIFIER | RGPO2-12,1200V,0.5A,DO-204AL,T | |
| D513 | 0401-000005 | DIODE-SWITCHING | 1N4148,100V,200mA,DO-35,TP | |
| D514 | 0402-000252 | DIODE-RECTIFIER | RGPO2-16E,1.6KV,0.5A,DO-41,TP | |

| Loc. No. | Code No. | Description | Specification | Remarks |
|----------|-------------|---------------------|--|---------|
| D602 | 0401-000005 | DIODE-SWITCHING | 1N4148,100V,200mA,DO-35,TP | |
| D604 | 0402-000012 | DIODE-RECTIFIER | UF4007,1KV,1A,DO-41,TP | |
| D605 | 0402-000012 | DIODE-RECTIFIER | UF4007,1KV,1A,DO-41,TP | |
| D606 | 0402-000546 | DIODE-RECTIFIER | TVR10G,400V,1.0A,DO-41,TP | |
| D607 | 0401-000005 | DIODE-SWITCHING | 1N4148,100V,200mA,DO-35,TP | |
| D610 | 0402-000012 | DIODE-RECTIFIER | UF4007,1KV,1A,DO-41,TP | |
| D612 | 0402-000274 | DIODE-RECTIFIER | UF4004,400V,1A,DO-41,TP | |
| D613 | 0401-000005 | DIODE-SWITCHING | 1N4148,100V,200mA,DO-35,TP | |
| D615 | 0403-000361 | DIODE-ZENER | UZ6.2BSB,6.2V,5.99-6.24V,500mW | |
| D616 | 0403-000361 | DIODE-ZENER | UZ6.2BSB,6.2V,5.99-6.24V,500mW | |
| D625 | 0401-000005 | DIODE-SWITCHING | 1N4148,100V,200mA,DO-35,TP | |
| D626 | 0401-000005 | DIODE-SWITCHING | 1N4148,100V,200mA,DO-35,TP | |
| D628 | 0401-000005 | DIODE-SWITCHING | 1N4148,100V,200mA,DO-35,TP | |
| D629 | 0401-000005 | DIODE-SWITCHING | 1N4148,100V,200mA,DO-35,TP | |
| D630 | 0401-000005 | DIODE-SWITCHING | 1N4148,100V,200mA,DO-35,TP | |
| EY301 | 6042-000001 | EYELET | ID2.2,OD2.7,L3.1,SN,BSS3-E/EH | SNA |
| EY302 | 6042-000001 | EYELET | ID2.2,OD2.7,L3.1,SN,BSS3-E/EH | SNA |
| EY401 | 6042-000002 | EYELET | ID1.5,OD2,L3.1,SN,BSS3-E/EH | SNA |
| EY444 | 6042-000002 | EYELET | ID1.5,OD2,L3.1,SN,BSS3-E/EH | SNA |
| EY445 | 6042-000002 | EYELET | ID1.5,OD2,L3.1,SN,BSS3-E/EH | SNA |
| EY501 | 6042-000001 | EYELET | ID2.2,OD2.7,L3.1,SN,BSS3-E/EH | SNA |
| EY502 | 6042-000001 | EYELET | ID2.2,OD2.7,L3.1,SN,BSS3-E/EH | SNA |
| EY503 | 6042-000001 | EYELET | ID2.2,OD2.7,L3.1,SN,BSS3-E/EH | SNA |
| EY504 | 6042-000002 | EYELET | ID1.5,OD2,L3.1,SN,BSS3-E/EH | SNA |
| EY505 | 6042-000002 | EYELET | ID1.5,OD2,L3.1,SN,BSS3-E/EH | SNA |
| EY506 | 6042-000002 | EYELET | ID1.5,OD2,L3.1,SN,BSS3-E/EH | SNA |
| EY507 | 6042-000002 | EYELET | ID1.5,OD2,L3.1,SN,BSS3-E/EH | SNA |
| EY508 | 6042-000002 | EYELET | ID1.5,OD2,L3.1,SN,BSS3-E/EH | SNA |
| EY509 | 6042-000002 | EYELET | ID1.5,OD2,L3.1,SN,BSS3-E/EH | SNA |
| EY510 | 6042-000002 | EYELET | ID1.5,OD2,L3.1,SN,BSS3-E/EH | SNA |
| EY601 | 6042-000001 | EYELET | ID2.2,OD2.7,L3.1,SN,BSS3-E/EH | SNA |
| EY602 | 6042-000001 | EYELET | ID2.2,OD2.7,L3.1,SN,BSS3-E/EH | SNA |
| EY603 | 6042-000001 | EYELET | ID2.2,OD2.7,L3.1,SN,BSS3-E/EH | SNA |
| EY604 | 6042-000001 | EYELET | ID2.2,OD2.7,L3.1,SN,BSS3-E/EH | SNA |
| EY605 | 6042-000001 | EYELET | ID2.2,OD2.7,L3.1,SN,BSS3-E/EH | SNA |
| EY606 | 6042-000001 | EYELET | ID2.2,OD2.7,L3.1,SN,BSS3-E/EH | SNA |
| EY607 | 6042-000002 | EYELET | ID1.5,OD2,L3.1,SN,BSS3-E/EH | SNA |
| EY608 | 6042-000002 | EYELET | ID1.5,OD2,L3.1,SN,BSS3-E/EH | SNA |
| EY609 | 6042-000002 | EYELET | ID1.5,OD2,L3.1,SN,BSS3-E/EH | SNA |
| EY610 | 6042-000002 | EYELET | ID1.5,OD2,L3.1,SN,BSS3-E/EH | SNA |
| GT603 | BH71-40300A | PIN HINGE | BRASS,D2.361,HEAT/SINK,SN | SNA |
| GT604 | BH71-40300A | PIN HINGE | BRASS,D2.361,HEAT/SINK,SN | SNA |
| IC202 | 1103-001149 | IC-EEPROM | 524C80D41,4KBit,DIP,8P,300MIL,10mS,5V,10%,PLASTIC,-25to+70C,10uA,CMOS,ST | |
| IC602 | 1203-000002 | IC-POSI.ADJUST REG. | 431,TO-92,3P,-,PLASTIC,2.44/2. | |
| IC604 | 1203-002653 | IC-POSI.FIXED REG. | 78DL05,TO-92,3P,4.5X4.5MM,PLASTIC,4.8/5.2V,625MW,-40TO+85C,150MA,-,TP | |
| JP_DHHS | BH39-40305U | CBF HARNESS | 52MM,AWG22(0.6PI),-,-,AWG22(0. | |
| JP1 | BH39-40305U | CBF HARNESS | 52MM,AWG22(0.6PI),-,-,AWG22(0. | |
| JP10 | BH39-40305U | CBF HARNESS | 52MM,AWG22(0.6PI),-,-,AWG22(0. | |
| JP11 | BH39-40305U | CBF HARNESS | 52MM,AWG22(0.6PI),-,-,AWG22(0. | |
| JP12 | BH39-40305U | CBF HARNESS | 52MM,AWG22(0.6PI),-,-,AWG22(0. | |
| JP14 | BH39-40305U | CBF HARNESS | 52MM,AWG22(0.6PI),-,-,AWG22(0. | |
| JP15 | BH39-40305U | CBF HARNESS | 52MM,AWG22(0.6PI),-,-,AWG22(0. | |
| JP16 | BH39-40305U | CBF HARNESS | 52MM,AWG22(0.6PI),-,-,AWG22(0. | |
| JP17 | BH39-40305U | CBF HARNESS | 52MM,AWG22(0.6PI),-,-,AWG22(0. | |
| JP18 | BH39-40305U | CBF HARNESS | 52MM,AWG22(0.6PI),-,-,AWG22(0. | |

| Loc. No. | Code No. | Description | Specification | Remarks |
|------------|-------------|-----------------|--|---------|
| JP60 | BH39-40305U | CBF HARNESS | 52MM,AWG22(0.6PI),-,-,AWG22(0. | |
| JP61 | BH39-40305U | CBF HARNESS | 52MM,AWG22(0.6PI),-,-,AWG22(0. | |
| JP62 | BH39-40305U | CBF HARNESS | 52MM,AWG22(0.6PI),-,-,AWG22(0. | |
| JP63 | BH39-40305U | CBF HARNESS | 52MM,AWG22(0.6PI),-,-,AWG22(0. | |
| JP64 | BH39-40305U | CBF HARNESS | 52MM,AWG22(0.6PI),-,-,AWG22(0. | |
| JP65 | BH39-40305U | CBF HARNESS | 52MM,AWG22(0.6PI),-,-,AWG22(0. | |
| JP66 | BH39-40305U | CBF HARNESS | 52MM,AWG22(0.6PI),-,-,AWG22(0. | |
| JP67 | BH39-40305U | CBF HARNESS | 52MM,AWG22(0.6PI),-,-,AWG22(0. | |
| JP68 | BH39-40305U | CBF HARNESS | 52MM,AWG22(0.6PI),-,-,AWG22(0. | |
| JP69 | BH39-40305U | CBF HARNESS | 52MM,AWG22(0.6PI),-,-,AWG22(0. | |
| JP7 | BH39-40305U | CBF HARNESS | 52MM,AWG22(0.6PI),-,-,AWG22(0. | |
| JP70 | BH39-40305U | CBF HARNESS | 52MM,AWG22(0.6PI),-,-,AWG22(0. | |
| JP71 | BH39-40305U | CBF HARNESS | 52MM,AWG22(0.6PI),-,-,AWG22(0. | |
| JP73 | BH39-40305U | CBF HARNESS | 52MM,AWG22(0.6PI),-,-,AWG22(0. | |
| JP74 | BH39-40305U | CBF HARNESS | 52MM,AWG22(0.6PI),-,-,AWG22(0. | |
| JP75 | BH39-40305U | CBF HARNESS | 52MM,AWG22(0.6PI),-,-,AWG22(0. | |
| JP76 | BH39-40305U | CBF HARNESS | 52MM,AWG22(0.6PI),-,-,AWG22(0. | |
| JP78 | BH39-40305U | CBF HARNESS | 52MM,AWG22(0.6PI),-,-,AWG22(0. | |
| JP79 | BH39-40305U | CBF HARNESS | 52MM,AWG22(0.6PI),-,-,AWG22(0. | |
| JP8 | BH39-40305U | CBF HARNESS | 52MM,AWG22(0.6PI),-,-,AWG22(0. | |
| JP80 | BH39-40305U | CBF HARNESS | 52MM,AWG22(0.6PI),-,-,AWG22(0. | |
| JP81 | BH39-40305U | CBF HARNESS | 52MM,AWG22(0.6PI),-,-,AWG22(0. | |
| JP84 | BH39-40305U | CBF HARNESS | 52MM,AWG22(0.6PI),-,-,AWG22(0. | |
| JP85 | BH39-40305U | CBF HARNESS | 52MM,AWG22(0.6PI),-,-,AWG22(0. | |
| JP86 | BH39-40305U | CBF HARNESS | 52MM,AWG22(0.6PI),-,-,AWG22(0. | |
| JP87 | BH39-40305U | CBF HARNESS | 52MM,AWG22(0.6PI),-,-,AWG22(0. | |
| JP9 | BH39-40305U | CBF HARNESS | 52MM,AWG22(0.6PI),-,-,AWG22(0. | |
| MP1.0_MAIN | BH41-00215A | PCB | AN17K*,FR1,1,1.6T,247*247,MAIN | |
| Q301 | 0501-000122 | TR-SMALL SIGNAL | 2N3904,NPN,625mW,TO-92,TP,100-300 | |
| Q302 | 0501-000581 | TR-SMALL SIGNAL | 2N3906,PNP,625mW,TO-92,TP,100-300 | |
| Q303 | 0501-000586 | TR-SMALL SIGNAL | KSC945,NPN,250mW,TO-92,TP,120-240 | |
| Q401 | 0501-000586 | TR-SMALL SIGNAL | KSC945,NPN,250mW,TO-92,TP,120-240 | |
| Q403 | 0501-000372 | TR-SMALL SIGNAL | KSC2383-Y,NPN,900000mW,TO-92L,TP,160-320 | |
| Q405 | 0501-000303 | TR-SMALL SIGNAL | KSA733,PNP,250mW,TO-92,TP,120-240 | |
| Q406 | 0501-000303 | TR-SMALL SIGNAL | KSA733,PNP,250mW,TO-92,TP,120-240 | |
| Q407 | 0501-000140 | TR-SMALL SIGNAL | 2N5551,NPN,625mW,TO-92,TP,80-250 | |
| Q414 | 0501-000412 | TR-SMALL SIGNAL | KSP42,NPN,625mW,TO-92,-,40 | |
| Q415 | 0501-000412 | TR-SMALL SIGNAL | KSP42,NPN,625mW,TO-92,-,40 | |
| Q416 | 0501-000412 | TR-SMALL SIGNAL | KSP42,NPN,625mW,TO-92,-,40 | |
| Q420 | 0501-000303 | TR-SMALL SIGNAL | KSA733,PNP,250mW,TO-92,TP,120-240 | |
| Q502 | 0501-000143 | TR-SMALL SIGNAL | 2N6520,PNP,625mW,TO-92,TP,30-200 | |
| Q551 | 0501-000413 | TR-SMALL SIGNAL | KSP44,NPN,625mW,TO-92,TP,50-200 | |
| Q601 | 0501-000010 | TR-SMALL SIGNAL | KSC1008,NPN,800mW,TO-92,TP,120-240 | |
| Q602 | 0501-000586 | TR-SMALL SIGNAL | KSC945,NPN,250mW,TO-92,TP,120-240 | |
| Q604 | 0501-000404 | TR-SMALL SIGNAL | KSD1616-Y,NPN,750mW,TO-92,TP,135-270 | |
| Q609 | 0501-002228 | TR-SMALL SIGNAL | KTA1281,PNP,1000mW,TO-92L,TP,120-240 | |
| Q610 | 0501-000586 | TR-SMALL SIGNAL | KSC945,NPN,250mW,TO-92,TP,120-240 | |
| Q611 | 0501-000586 | TR-SMALL SIGNAL | KSC945,NPN,250mW,TO-92,TP,120-240 | |
| Q613 | 0501-002228 | TR-SMALL SIGNAL | KTA1281,PNP,1000mW,TO-92L,TP,120-240 | |
| Q614 | 0501-000586 | TR-SMALL SIGNAL | KSC945,NPN,250mW,TO-92,TP,120-240 | |
| R200 | 2001-000869 | R-CARBON | 560OHM,5%,1/8W,AA,TP,1.8X3.2MM | |
| R201 | 2001-000290 | R-CARBON | 10KOHM,5%,1/8W,AA,TP,1.8X3.2MM | |
| R202 | 2001-000290 | R-CARBON | 10KOHM,5%,1/8W,AA,TP,1.8X3.2MM | |
| R203 | 2001-000008 | R-CARBON | 15KOHM,5%,1/8W,AA,TP,1.8X3.2MM | |
| R204 | 2001-000008 | R-CARBON | 15KOHM,5%,1/8W,AA,TP,1.8X3.2MM | |

| Loc. No. | Code No. | Description | Specification | Remarks |
|----------|-------------|------------------|---------------------------------|---------|
| R205 | 2001-000290 | R-CARBON | 10KOHM,5%,1/8W,AA,TP,1.8X3.2MM | |
| R206 | 2001-000435 | R-CARBON | 1MOHM,5%,1/8W,AA,TP,1.8X3.2MM | |
| R207 | 2001-000869 | R-CARBON | 56OHM,5%,1/8W,AA,TP,1.8X3.2MM | |
| R208 | 2001-000869 | R-CARBON | 56OHM,5%,1/8W,AA,TP,1.8X3.2MM | |
| R209 | 2001-000290 | R-CARBON | 10KOHM,5%,1/8W,AA,TP,1.8X3.2MM | |
| R212 | 2001-000591 | R-CARBON | 3.3KOHM,5%,1/8W,AA,TP,1.8X3.2MM | |
| R213 | 2001-000290 | R-CARBON | 10KOHM,5%,1/8W,AA,TP,1.8X3.2MM | |
| R214 | 2001-000429 | R-CARBON | 1KOHM,5%,1/8W,AA,TP,1.8X3.2MM | |
| R215 | 2001-000281 | R-CARBON | 100OHM,5%,1/8W,AA,TP,1.8X3.2MM | |
| R216 | 2001-000281 | R-CARBON | 100OHM,5%,1/8W,AA,TP,1.8X3.2MM | |
| R217 | 2001-000281 | R-CARBON | 100OHM,5%,1/8W,AA,TP,1.8X3.2MM | |
| R218 | 2001-000281 | R-CARBON | 100OHM,5%,1/8W,AA,TP,1.8X3.2MM | |
| R219 | 2001-000290 | R-CARBON | 10KOHM,5%,1/8W,AA,TP,1.8X3.2MM | |
| R220 | 2001-000281 | R-CARBON | 100OHM,5%,1/8W,AA,TP,1.8X3.2MM | |
| R221 | 2001-000734 | R-CARBON | 4.7KOHM,5%,1/8W,AA,TP,1.8X3.2MM | |
| R222 | 2001-000734 | R-CARBON | 4.7KOHM,5%,1/8W,AA,TP,1.8X3.2MM | |
| R223 | 2001-000554 | R-CARBON | 270OHM,5%,1/8W,AA,TP,1.8X3.2MM | |
| R224 | 2001-000869 | R-CARBON | 56OHM,5%,1/8W,AA,TP,1.8X3.2MM | |
| R225 | 2001-000869 | R-CARBON | 56OHM,5%,1/8W,AA,TP,1.8X3.2MM | |
| R229 | 2001-000281 | R-CARBON | 100OHM,5%,1/8W,AA,TP,1.8X3.2MM | |
| R235 | 2001-000290 | R-CARBON | 10KOHM,5%,1/8W,AA,TP,1.8X3.2MM | |
| R236 | 2001-000290 | R-CARBON | 10KOHM,5%,1/8W,AA,TP,1.8X3.2MM | |
| R301 | 2001-000734 | R-CARBON | 4.7KOHM,5%,1/8W,AA,TP,1.8X3.2MM | |
| R302 | 2001-000281 | R-CARBON | 100OHM,5%,1/8W,AA,TP,1.8X3.2MM | |
| R304 | 2004-000344 | R-METAL | 15Kohm,1%,1/4W,AA,TP,2.4x6.4mm | |
| R306 | 2004-000899 | R-METAL | 4.7Kohm,1%,1/4W,AA,TP,2.4x6.4mm | |
| R307 | 2001-000016 | R-CARBON(S) | 10HM,5%,1/2W,AA,TP,2.4X6.4MM | |
| R308 | 2001-000109 | R-CARBON(S) | 470OHM,5%,1/2W,AA,TP,2.4X6.4MM | |
| R309 | 2004-005002 | R-METAL | 1.2ohm,2%,1/2W,AA,TP,3.3x9.0mm | |
| R310 | 2004-001005 | R-METAL | 5.1Kohm,1%,1/4W,AA,TP,2.4x6.4mm | |
| R311 | 2004-000947 | R-METAL | 43Kohm,1%,1/4W,AA,TP,2.4x6.4mm | |
| R315 | 2004-005002 | R-METAL | 1.2ohm,2%,1/2W,AA,TP,3.3x9.0mm | |
| R316 | 2001-000812 | R-CARBON | 5.6KOHM,5%,1/8W,AA,TP,1.8X3.2MM | |
| R317 | 2001-000786 | R-CARBON | 47KOHM,5%,1/8W,AA,TP,1.8X3.2MM | |
| R320 | 2001-000290 | R-CARBON | 10KOHM,5%,1/8W,AA,TP,1.8X3.2MM | |
| R321 | 2001-000302 | R-CARBON | 100HM,5%,1/8W,AA,TP,1.8X3.2MM | |
| R322 | 2001-000878 | R-CARBON | 6.2KOHM,5%,1/8W,AA,TP,1.8X3.2MM | |
| R323 | 2001-001079 | R-CARBON(S) | 150HM,5%,1/2W,AA,TP,2.4X6.4MM | |
| R324 | 2001-000273 | R-CARBON | 100KOHM,5%,1/8W,AA,TP,1.8X3.2MM | |
| R325 | 2001-001079 | R-CARBON(S) | 150HM,5%,1/2W,AA,TP,2.4X6.4MM | |
| R326 | 2001-000042 | R-CARBON | 1KOHM,5%,1/4W,AA,TP,2.4X6.4MM | |
| R327 | 2001-000273 | R-CARBON | 100KOHM,5%,1/8W,AA,TP,1.8X3.2MM | |
| R328 | 2001-000908 | R-CARBON | 62KOHM,5%,1/8W,AA,TP,1.8X3.2MM | |
| R340 | 2001-000908 | R-CARBON | 62KOHM,5%,1/8W,AA,TP,1.8X3.2MM | |
| R401 | 2004-000327 | R-METAL | 150Kohm,1%,1/4W,AA,TP,2.4x6.4mm | |
| R404 | 2004-001022 | R-METAL | 5.6Kohm,1%,1/4W,AA,TP,2.4x6.4mm | |
| R405 | 2001-000449 | R-CARBON | 2.2KOHM,5%,1/8W,AA,TP,1.8X3.2MM | |
| R406 | 2001-000522 | R-CARBON | 22KOHM,5%,1/8W,AA,TP,1.8X3.2MM | |
| R407 | 2001-001099 | R-CARBON(S) | 2.7KOHM,5%,1/2W,AA,TP,2.4X6.4MM | |
| R408 | 2003-000145 | R-METAL OXIDE | 100ohm,5%,1W,AA,TP,4.3x12mm | |
| R411 | 2001-000333 | R-CARBON | 120HM,5%,1/4W,AA,TP,2.4X6.4MM | |
| R412 | 2001-000429 | R-CARBON | 1KOHM,5%,1/8W,AA,TP,1.8X3.2MM | △ |
| R413 | 2003-000407 | R-METAL OXIDE(S) | 0.6ohm,5%,2W,AA,TP,4x12mm | △ |
| R415 | 2003-000701 | R-METAL OXIDE(S) | 470ohm,5%,2W,AA,TP,4x12mm | |
| R416 | 2001-000107 | R-CARBON(S) | 150KOHM,5%,1/2W,AA,TP,2.4X6.4MM | |

| Loc. No. | Code No. | Description | Specification | Remarks |
|----------|-------------|------------------|---------------------------------|---------|
| R417 | 2001-000290 | R-CARBON | 10KOHM,5%,1/8W,AA,TP,1.8X3.2MM | |
| R418 | 2001-000221 | R-CARBON | 1.2KOHM,5%,1/8W,AA,TP,1.8X3.2MM | |
| R419 | 2001-000531 | R-CARBON | 240KOHM,5%,1/8W,AA,TP,1.8X3.2MM | |
| R420 | 2004-000327 | R-METAL | 150Kohm,1%,1/4W,AA,TP,2.4x6.4m | |
| R423 | 2004-000176 | R-METAL | 1.8Kohm,1%,1/4W,AA,TP,2.4x6.4m | |
| R424 | 2004-000216 | R-METAL | 10Kohm,1%,1/4W,AA,TP,2.4x6.4mm | |
| R425 | 2001-001088 | R-CARBON(S) | 1KOHM,5%,1/2W,AA,TP,2.4X6.4MM | |
| R426 | 2001-000110 | R-CARBON | 100HM,5%,1/4W,AA,TP,2.4X6.4MM | |
| R427 | 2001-000429 | R-CARBON | 1KOHM,5%,1/8W,AA,TP,1.8X3.2MM | |
| R428 | 2003-002017 | R-METAL OXIDE(S) | 360ohm,5%,3W,AA,TP,6X16mm | |
| R429 | 2001-000319 | R-CARBON | 120KOHM,5%,1/8W,AA,TP,1.8X3.2MM | |
| R430 | 2001-001078 | R-CARBON(S) | 15KOHM,5%,1/2W,AA,TP,2.4X6.4MM | |
| R431 | 2003-000407 | R-METAL OXIDE(S) | 0.6ohm,5%,2W,AA,TP,4x12mm | |
| R432 | 2001-000020 | R-CARBON(S) | 220HM,5%,1/2W,AA,TP,2.4X6.4MM | |
| R434 | 2001-000449 | R-CARBON | 2.2KOHM,5%,1/8W,AA,TP,1.8X3.2MM | |
| R435 | 2001-000786 | R-CARBON | 47KOHM,5%,1/8W,AA,TP,1.8X3.2MM | |
| R436 | 2001-000449 | R-CARBON | 2.2KOHM,5%,1/8W,AA,TP,1.8X3.2MM | |
| R437 | 2001-000786 | R-CARBON | 47KOHM,5%,1/8W,AA,TP,1.8X3.2MM | |
| R438 | 2001-000449 | R-CARBON | 2.2KOHM,5%,1/8W,AA,TP,1.8X3.2MM | |
| R439 | 2001-000786 | R-CARBON | 47KOHM,5%,1/8W,AA,TP,1.8X3.2MM | |
| R443 | 2003-000578 | R-METAL OXIDE(S) | 220ohm,5%,2W,AA,TP,4x12mm | |
| R444 | 2003-000769 | R-METAL OXIDE(S) | 680ohm,5%,3W,AA,TP,6x16mm | |
| R445 | 2001-000019 | R-CARBON(S) | 100HM,5%,1/2W,AA,TP,2.4X6.4MM | |
| R446 | 2001-000117 | R-CARBON(S) | 680HM,5%,1/2W,AA,TP,2.4X6.4MM | |
| R450 | 2004-000327 | R-METAL | 150Kohm,1%,1/4W,AA,TP,2.4x6.4m | |
| R451 | 2001-000290 | R-CARBON | 10KOHM,5%,1/8W,AA,TP,1.8X3.2MM | |
| R452 | 2001-000290 | R-CARBON | 10KOHM,5%,1/8W,AA,TP,1.8X3.2MM | |
| R453 | 2001-000290 | R-CARBON | 10KOHM,5%,1/8W,AA,TP,1.8X3.2MM | |
| R454 | 2003-000650 | R-METAL OXIDE(S) | 330ohm,5%,2W,AA,TP,4x12mm | |
| R455 | 2004-001349 | R-METAL | 91Kohm,1%,1/4W,AA,TP,2.4x6.4mm | |
| R461 | 2004-000298 | R-METAL | 130Kohm,1%,1/4W,AA,TP,2.4x6.4m | |
| R500 | 2001-000435 | R-CARBON | 1MOHM,5%,1/8W,AA,TP,1.8X3.2MM | |
| R501 | 2001-000890 | R-CARBON | 6.8KOHM,5%,1/8W,AA,TP,1.8X3.2MM | |
| R502 | 2004-000825 | R-METAL | 36Kohm,1%,1/4W,AB,TP,2.4x6.4mm | △ |
| R504 | 2001-000008 | R-CARBON | 15KOHM,5%,1/8W,AA,TP,1.8X3.2MM | △ |
| R505 | 2004-000458 | R-METAL | 2.2Kohm,1%,1/4W,AA,TP,2.4x6.4m | △ |
| R506 | 2004-000284 | R-METAL | 12Kohm,1%,1/4W,AA,TP,2.4x6.4mm | △ |
| R507 | 2004-000216 | R-METAL | 10Kohm,1%,1/4W,AA,TP,2.4x6.4mm | △ |
| R508 | 2001-000642 | R-CARBON | 330KOHM,5%,1/2W,AA,TP,3.3X9MM | |
| R509 | 2001-000642 | R-CARBON | 330KOHM,5%,1/2W,AA,TP,3.3X9MM | |
| R510 | 2001-000273 | R-CARBON | 100KOHM,5%,1/8W,AA,TP,1.8X3.2MM | |
| R511 | 2001-000478 | R-CARBON | 2.7OHM,5%,1/4W,AA,TP,2.4X6.4MM | |
| R513 | 2001-001101 | R-CARBON(S) | 200Kohm,5%,1/2W,AA,TP,2.4x6.4m | |
| R514 | 2001-001071 | R-CARBON(S) | 12KOHM,5%,1/2W,AA,TP,2.4X6.4MM | |
| R515 | 2001-001108 | R-CARBON(S) | 22KOHM,5%,1/2W,AA,TP,2.4X6.4MM | |
| R516 | 2001-001112 | R-CARBON(S) | 24KOHM,5%,1/2W,AA,TP,2.4X6.4MM | |
| R517 | 2002-001073 | R-COMPOSITION | 15Mohm,5%,1/2W,AA,TP,4.0x10mm | |
| R518 | 2002-001073 | R-COMPOSITION | 15Mohm,5%,1/2W,AA,TP,4.0x10mm | |
| R520 | 2001-000522 | R-CARBON | 22KOHM,5%,1/8W,AA,TP,1.8X3.2MM | |
| R522 | 2001-000642 | R-CARBON | 330KOHM,5%,1/2W,AA,TP,3.3X9MM | |
| R523 | 2002-001075 | R-COMPOSITION | 30Mohm,5%,1/2W,AA,TP,4.0x10mm | |
| R524 | 2001-000531 | R-CARBON | 240KOHM,5%,1/8W,AA,TP,1.8X3.2MM | |
| R526 | 2004-000796 | R-METAL | 33Kohm,1%,1/4W,AA,TP,2.4x6.4mm | |
| R529 | 2001-000429 | R-CARBON | 1KOHM,5%,1/8W,AA,TP,1.8X3.2MM | △ |
| R530 | 2004-000580 | R-METAL | 22Kohm,1%,1/4W,AA,TP,2.4x6.4mm | |

| Loc. No. | Code No. | Description | Specification | Remarks |
|----------|-------------|------------------|---------------------------------|---------|
| R531 | 2001-000660 | R-CARBON | 33KOHM,5%,1/8W,AA,TP,1.8X3.2MM | |
| R551 | 2001-000530 | R-CARBON | 240KOHM,5%,1/4W,AA,TP,2.4X6.4MM | |
| R552 | 2001-000495 | R-CARBON | 20KOHM,5%,1/4W,AA,TP,2.4X6.4MM | |
| R553 | 2001-001129 | R-CARBON(S) | 330KOHM,5%,1/2W,AA,TP,2.4X6.4MM | |
| R554 | 2001-000316 | R-CARBON | 120KOHM,5%,1/2W,AA,TP,3.3X9MM | |
| R555 | 2001-001192 | R-CARBON(S) | 820OHM,5%,1/2W,AA,TP,2.4X6.4MM | |
| R556 | 2001-000241 | R-CARBON | 1.5KOHM,5%,1/8W,AA,TP,1.8X3.2MM | |
| R557 | 2001-000290 | R-CARBON | 10KOHM,5%,1/8W,AA,TP,1.8X3.2MM | |
| R558 | 2001-000316 | R-CARBON | 120KOHM,5%,1/2W,AA,TP,3.3X9MM | |
| R600 | 2001-001129 | R-CARBON(S) | 330KOHM,5%,1/2W,AA,TP,2.4X6.4MM | |
| R601 | 2001-001129 | R-CARBON(S) | 330KOHM,5%,1/2W,AA,TP,2.4X6.4MM | |
| R602 | 2001-000023 | R-CARBON | 470HM,5%,1/4W,AA,TP,2.4X6.4MM | |
| R603 | 2001-000290 | R-CARBON | 10KOHM,5%,1/8W,AA,TP,1.8X3.2MM | |
| R604 | 2004-000151 | R-METAL | 1.5Kohm,1%,1/8W,AA,TP,1.8x3.2m | |
| R605 | 2001-000734 | R-CARBON | 4.7KOHM,5%,1/8W,AA,TP,1.8X3.2MM | |
| R606 | 2001-000429 | R-CARBON | 1KOHM,5%,1/8W,AA,TP,1.8X3.2MM | |
| R607 | 2003-000014 | R-METAL OXIDE(S) | 10Kohm,5%,3W,AA,TP,6x16mm | |
| R608 | 2001-000034 | R-CARBON | 220OHM,5%,1/4W,AA,TP,2.4X6.4MM | |
| R609 | 2002-001068 | R-COMPOSITION | 180Kohm,5%,1/2W,AA,TP,3.9x9mm | |
| R610 | 2002-001068 | R-COMPOSITION | 180Kohm,5%,1/2W,AA,TP,3.9x9mm | |
| R611 | 2001-000018 | R-CARBON | 6.8OHM,5%,1/4W,AA,TP,2.4X6.4MM | |
| R612 | 2003-000738 | R-METAL OXIDE(S) | 56Kohm,5%,2W,AA,TP,4x12mm | |
| R613 | 2001-000577 | R-CARBON | 2KOHM,5%,1/8W,AA,TP,1.8X3.2MM | |
| R614 | 2001-001107 | R-CARBON(S) | 220ohm,5%,1/2W,AA,TP,2.4x6.4mm | |
| R615 | 2003-000330 | R-METAL OXIDE | 560ohm,5%,1W,AA,TP,4.3x12mm | |
| R616 | 2001-000577 | R-CARBON | 2KOHM,5%,1/8W,AA,TP,1.8X3.2MM | |
| R617 | 2001-001048 | R-CARBON(S) | 1.2OHM,5%,1/2W,AA,TP,2.4X6.4MM | |
| R618 | 2001-000429 | R-CARBON | 1KOHM,5%,1/8W,AA,TP,1.8X3.2MM | |
| R619 | 2003-000471 | R-METAL OXIDE(S) | 10ohm,5%,2W,AA,TP,4x12mm | |
| R620 | 2001-000508 | R-CARBON | 220KOHM,5%,1/8W,AA,TP,1.8X3.2MM | |
| R621 | 2001-000290 | R-CARBON | 10KOHM,5%,1/8W,AA,TP,1.8X3.2MM | |
| R622 | 2001-000211 | R-CARBON | 1OHM,5%,1/4W,AA,TP,2.4X6.4MM | |
| R623 | 2004-001349 | R-METAL | 91Kohm,1%,1/4W,AA,TP,2.4x6.4mm | |
| R624 | 2001-000890 | R-CARBON | 6.8KOHM,5%,1/8W,AA,TP,1.8X3.2MM | |
| R625 | 2004-001005 | R-METAL | 5.1Kohm,1%,1/4W,AA,TP,2.4x6.4m | |
| R627 | 2001-000495 | R-CARBON | 20KOHM,5%,1/4W,AA,TP,2.4X6.4MM | |
| R630 | 2001-000786 | R-CARBON | 47KOHM,5%,1/8W,AA,TP,1.8X3.2MM | |
| R631 | 2001-001088 | R-CARBON(S) | 1KOHM,5%,1/2W,AA,TP,2.4X6.4MM | |
| R632 | 2001-000290 | R-CARBON | 10KOHM,5%,1/8W,AA,TP,1.8X3.2MM | |
| R634 | 2001-000290 | R-CARBON | 10KOHM,5%,1/8W,AA,TP,1.8X3.2MM | |
| R635 | 2004-001211 | R-METAL | 7.5Kohm,1%,1/4W,AA,TP,2.4x6.4m | |
| R663 | 2001-000071 | R-CARBON | 22KOHM,5%,1/4W,AA,TP,2.4X6.4MM | |
| R664 | 2001-000062 | R-CARBON | 470OHM,5%,1/4W,AA,TP,2.4X6.4MM | |
| R666 | 2001-000258 | R-CARBON | 1.8KOHM,5%,1/8W,AA,TP,1.8X3.2MM | |
| R668 | 2001-000429 | R-CARBON | 1KOHM,5%,1/8W,AA,TP,1.8X3.2MM | |
| R671 | 2001-000281 | R-CARBON | 100OHM,5%,1/8W,AA,TP,1.8X3.2MM | |
| SK501 | 4715-000001 | SURGE ABSORBER | 1KV,+50-10%,-,-, | SNA |
| TP401 | 6042-000002 | EYELET | ID1.5,OD2,L3.1,SN,BSS3-E/EH | SNA |
| TP402 | 6042-000002 | EYELET | ID1.5,OD2,L3.1,SN,BSS3-E/EH | SNA |
| TP501 | 6042-000002 | EYELET | ID1.5,OD2,L3.1,SN,BSS3-E/EH | SNA |
| X201 | 2801-000005 | CRYSTAL-UNIT | 8MHz,50ppm,28-AAAM,S,35ohm,TP | |
| ZD201 | 0403-000361 | DIODE-ZENER | UZ6.2BSB,6.2V,5.99-6.24V,500mW | |
| ZD202 | 0403-000361 | DIODE-ZENER | UZ6.2BSB,6.2V,5.99-6.24V,500mW | |
| ZD203 | 0403-000361 | DIODE-ZENER | UZ6.2BSB,6.2V,5.99-6.24V,500mW | |
| ZD204 | 0403-000361 | DIODE-ZENER | UZ6.2BSB,6.2V,5.99-6.24V,500mW | |

| Loc. No. | Code No. | Description | Specification | Remarks |
|----------|-------------|-------------------|--|---------|
| ZD205 | 0403-000361 | DIODE-ZENER | UZ6.2BSB,6.2V,5.99-6.24V,500mW | |
| ZD206 | 0403-000361 | DIODE-ZENER | UZ6.2BSB,6.2V,5.99-6.24V,500mW | |
| ZD207 | 0403-000361 | DIODE-ZENER | UZ6.2BSB,6.2V,5.99-6.24V,500mW | |
| ZD209 | 0403-000348 | DIODE-ZENER | UZ36B,36V,33-39V,500mW,DO-35,T | |
| ZD210 | 0403-001068 | DIODE-ZENER | UZ4.7BSA,4.7V,4.47-4.65V,500mW | |
| ZD211 | 0403-000361 | DIODE-ZENER | UZ6.2BSB,6.2V,5.99-6.24V,500mW | |
| ZD502 | 0403-000355 | DIODE-ZENER | UZ5.1BSB,4.97-5.18V,500MW,DO-35,TP | |
| HS501 | BH99-00024U | ASSY HEAT/SINK | HS FBT,SPRING,J6810,DTV1500M,KTD2058,OIL SILICON | SNA |
| CIS | 0205-001027 | OIL-SILICON | G746,-,- | SNA |
| CIS | 0402-001455 | DIODE-RECTIFIER | DTV1500M,1500V,6A,TO-220FPAC,ST | |
| CIS | 0502-000465 | TR-POWER | KTD2058,NPN,25000mW,TO-220IS,ST,100-200 | |
| CIS | 0502-001217 | TR-POWER | F JAF6810,NPN,60000MW,TO-3PF,ST,5-8 | △ |
| CIS | BH61-00004A | SPRING ETC-TR | CDA,CDB,SUS304,-,-,-,-,-,TO.5,-,-,- | SNA |
| CIS | BH61-70003A | SPRING ETC | CVT4857,STS304-W1/2H,W3.8,-,L30,L30,-,TO.5,DEGRE,W3.8,STS304-W1/2H | SNA |
| CIS | BH62-00015A | HEAT SINK-FBT | A1050S,T1.0,T1.0,-,- | SNA |
| HS301 | BH99-00044A | ASSY HEAT/SINK | HS V.IC,SCREW+NUT,KA2142,-,-,OIL SILICON | SNA |
| CIS | 0205-001027 | OIL-SILICON | G746,-,- | SNA |
| CIS | 1204-001508 | IC-VERTICAL DEF. | KA2142,SIP,10P,-,PLASTIC,35V,15W,-20TO+70C,ST,VERTICAL DEFLECTION | |
| CIS | 6006-001008 | SCREW-ASS'Y MACH | WSP,BH,+,M3,L10,ZPC(YEL),SWRCH | SNA |
| CIS | 6021-000118 | NUT-HEXAGON | 1C,M3,ZPC(YEL),SM20C | SNA |
| CIS | BH62-00050A | HEAT SINK-V IC | AQ17,A1050S,T1.0,H60,L77,-,-,- | SNA |
| HS601 | BP96-00064A | ASSY HEAT SINK P | H/S POWER,SPRING,6S0765RC,RUBBER SILICON | |
| CIS | 1203-002642 | IC-PWM CONTROLLER | FS6S0765RCB-YDTU,TO-220(FORMING),5P,9.88X9.2MM,PLASTIC,14/16V,145W,-25TO+85C,17A | |
| CIS | BH61-00004A | SPRING ETC-TR | CDA,CDB,SUS304,-,-,-,-,-,TO.5,-,-,- | SNA |
| CIS | BH62-00004A | HEAT SINK-POWER | -,-,T1,-,-,A1050S,DA/DB | SNA |
| CIS | BH62-20001B | TUBE-RUBBER | CSQ4357,W25*L20*TO.45,-,-,-,- | SNA |
| HS401 | BP96-00067A | ASSY HEAT SINK P | H/S TR,SCREW+NUT,IRF630B,OIL SILICON | |
| CIS | 0205-001027 | OIL-SILICON | G746,-,- | SNA |
| CIS | 0505-001675 | FET-SILICON | IRF630B,N,200V,9A,0.40HM,72W,TO-220 | |
| CIS | 6006-001008 | SCREW-ASS'Y MACH | WSP,BH,+,M3,L10,ZPC(YEL),SWRCH | SNA |
| CIS | 6021-000118 | NUT-HEXAGON | 1C,M3,ZPC(YEL),SM20C | SNA |
| CIS | BH62-30024A | HEAT SINK-TR | SPC,T1,SN,CFX1577L | SNA |
| HS402 | BP96-00072A | ASSY HEAT SINK P | H/S TR,SPRING,IRF630B,OIL SILICON | |
| CIS | 0205-001027 | OIL-SILICON | G746,-,- | SNA |
| CIS | 0505-001675 | FET-SILICON | IRF630B,N,200V,9A,0.40HM,72W,TO-220 | |
| CIS | BH61-00004A | SPRING ETC-TR | CDA,CDB,SUS304,-,-,-,-,-,TO.5,-,-,- | SNA |
| CIS | BH62-00016A | HEAT SINK-TR | A1050S,T1.0,-,-,DP17MO | SNA |

7-1-2 AN17K* Video PCB Parts

| Loc. No. | Code No. | Description | Specification | Remarks |
|------------|-------------|------------------------------|--|---------|
| - | VIDEO PCB | | | |
| 17_NOR | BH94-00824A | ASSY PCB VIDEO | AN17KS | SNA |
| CIS1 | 3704-001170 | SOCKET-CRT | 10P,22.5PI,25.6PI,NI+SN,- | |
| CIS2 | 0202-001044 | SOLDER-WIRE. | S63S-W3.0,S63S,D3,63Sn/37Pb,- | SNA |
| CIS3 | 0204-001527 | FLUX | DF-201TVS,MIX,0.820,FLUX 13%, 14KG | |
| CIS4 | 0202-001222 | SOLDER-WIRE FLUX | RS-107,RS60-1.2AA,D1.2,SN60/PB40,- | SNA |
| CIS8 | 0204-001095 | THINNER | #4520,-,-,- | SNA |
| CN101 | BH63-00055A | SHIELD-VIDEO | AN17KS,SPTTE ,T0.2 | |
| CN102 | 3711-004228 | CONNECTOR-HEADER | BOX,6P,1R,2MM,ANGLE,SN | SNA |
| IC101 | BH39-00015A | CBF-HARNESS | 13P/14P,200MM,WHT/BLK/RED/BLU,UL1007,AWG26,SMH200-13/YBNH200-14 | |
| SH/VID+H/S | 1201-001947 | IC-VIDEO AMP | S1D2552X04,SDIP,32P,400MIL,-,-,PLASTIC,12.6V,1W,-20TO+75C,-,-,-,-,-,ST | ⚠ |
| V_CLAMP1 | 6003-000010 | SCREW-TAPTITE | BWH,+ ,B,M3,L10,ZPC(YEL),SWRCH1 | SNA |
| | 6502-000001 | CABLE CLAMP | DAWH-5NB,D15,L35,NYLON66,NTR | SNA |
| CIS | BH96-00096A | ASSY MISC P-SHIELD VIDEO CAP | AN17KS,SPTTE T0.2 | |
| - | BH97-00347A | ASSY AUTO-VIDEO | AN17KS | SNA |
| BD101 | 3301-000011 | CORE-FERRITE BEAD | AA,3.5x1.0x5.7mm,1500,2375G | |
| BD102 | 3301-000011 | CORE-FERRITE BEAD | AA,3.5x1.0x5.7mm,1500,2375G | |
| BD103 | 3301-000011 | CORE-FERRITE BEAD | AA,3.5x1.0x5.7mm,1500,2375G | |
| BD104 | 3301-000011 | CORE-FERRITE BEAD | AA,3.5x1.0x5.7mm,1500,2375G | |
| BD105 | 3301-000011 | CORE-FERRITE BEAD | AA,3.5x1.0x5.7mm,1500,2375G | |
| BD106 | 3301-000011 | CORE-FERRITE BEAD | AA,3.5x1.0x5.7mm,1500,2375G | |
| BD107 | 3301-000011 | CORE-FERRITE BEAD | AA,3.5x1.0x5.7mm,1500,2375G | |
| BD108 | 3301-000011 | CORE-FERRITE BEAD | AA,3.5x1.0x5.7mm,1500,2375G | |
| C102 | 2401-000603 | C-AL | 1uF,20%,50V,GP,TP,5x11,5 | |
| C103 | 2401-000037 | C-AL | 470uF,20%,16V,GP,TP,8x11,5,5 | |
| C105 | 2201-000019 | C-CERAMIC,DISC | 10nF,+80-20%,500V,Y5V,TP,13.5x4mm,5 | |
| C106 | 2202-002009 | C-CERAMIC,MLC-AXIAL | 100nF,+80-20%,50V,Y5V,TP,2.3X3 | |
| C107 | 2401-003034 | C-AL | 220uF,20%,16V,WT,TP,8x11,5,5 | |
| C108 | 2401-000049 | C-AL | 47uF,20%,100V,WT,TP,10x16,5 | |
| C113 | 2301-000016 | C-FILM,PEF | 22nF,5%,100V,TP,7.2x4.5x9.0mm, | |
| C114 | 2201-002110 | C-CERAMIC,DISC | 1.8nF,10%,1kV,Y5P,TP,10x5mm,5 | |
| C115 | 2401-003704 | C-AL | 1UF,±20%,100V,WT,TP,5X11MM,5 | |
| C117 | 2301-000174 | C-FILM,PEF | 15nF,5%,100V,TP,7.2x4.0x7.5mm, | |
| C118 | 2201-000138 | C-CERAMIC,DISC | 100pF,10%,50V,Y5P,TP,4.0X4.0,2 | |
| C119 | 2201-000285 | C-CERAMIC,DISC | 1nF,10%,1kV,Y5P,TP,8x5,5 | |
| C120 | 2201-000285 | C-CERAMIC,DISC | 1nF,10%,1kV,Y5P,TP,8x5,5 | |
| C121 | 2202-002009 | C-CERAMIC,MLC-AXIAL | 100nF,+80-20%,50V,Y5V,TP,2.3X3 | |
| C123 | 2201-000019 | C-CERAMIC,DISC | 10nF,+80-20%,500V,Y5V,TP,13.5x4mm,5 | |
| C124 | 2301-000148 | C-FILM,PEF | 10nF,5%,100V,TP,7x3.2x7mm,5mm | |
| C151 | 2202-002009 | C-CERAMIC,MLC-AXIAL | 100nF,+80-20%,50V,Y5V,TP,2.3X3 | |
| C152 | 2202-002009 | C-CERAMIC,MLC-AXIAL | 100nF,+80-20%,50V,Y5V,TP,2.3X3 | |
| C160 | 2401-000031 | C-AL | 47uF,20%,16V,GP,TP,5x11,5 | |
| C161 | 2401-000025 | C-AL | 100uF,20%,16V,GP,TP,6.3x11,5 | |
| C162 | 2401-000603 | C-AL | 1uF,20%,50V,GP,TP,5x11,5 | |
| CB01 | 2202-002009 | C-CERAMIC,MLC-AXIAL | 100nF,+80-20%,50V,Y5V,TP,2.3X3 | |
| CB02 | 2401-000607 | C-AL | 1uF,20%,50V,WT,TP,3x5mm,2.5mm | |
| CB04 | 2401-000055 | C-AL | 1uF,20%,160V,WT,TP,3x11,5mm | |
| CB06 | 2301-000010 | C-FILM,PEF | 100nF,5%,100V,TP,11.5x12.5mm,5 | |
| CB08 | 2201-000017 | C-CERAMIC,DISC | 1nF,10%,50V,Y5P,TP,5x3,5,5 | |
| CG01 | 2202-002009 | C-CERAMIC,MLC-AXIAL | 100nF,+80-20%,50V,Y5V,TP,2.3X3 | |
| CG02 | 2401-000607 | C-AL | 1uF,20%,50V,WT,TP,3x5mm,2.5mm | |
| CG04 | 2401-000055 | C-AL | 1uF,20%,160V,WT,TP,3x11,5mm | |
| CG06 | 2301-000010 | C-FILM,PEF | 100nF,5%,100V,TP,11.5x12.5mm,5 | |

| Loc. No. | Code No. | Description | Specification | Remarks |
|-----------|-------------|----------------------|--|---------|
| CG08 | 2201-000017 | C-CERAMIC,DISC | 1nF,10%,50V,Y5P,TP,5x3.5,5 | |
| CIS5 | 0203-001199 | TAPE-KRAFT | #53110,TO.1,W6,L2000M,BRN | SNA |
| CIS6 | 0203-001200 | TAPE-PAPER | #53128,TO.15,W5.5,L2000M,BEIGE | SNA |
| CIS7 | 0203-001201 | TAPE-PAPER | #FB-300,TO.16,W6,L2000M,R/BLU | SNA |
| CR01 | 2202-002009 | C-CERAMIC,MLC-AXIAL | 100nF,+80-20%,50V,Y5V,TP,2.3X3 | |
| CR02 | 2401-000607 | C-AL | 1uF,20%,50V,WT,TP,3x5mm,2.5mm | |
| CR04 | 2401-000055 | C-AL | 1uF,20%,160V,WT,TP,3x11,5mm | |
| CR06 | 2301-000010 | C-FILM,PEF | 100nF,5%,100V,TP,11.5x12.5mm,5 | |
| CR08 | 2201-000017 | C-CERAMIC,DISC | 1nF,10%,50V,Y5P,TP,5x3.5,5 | |
| DB01 | 0401-000005 | DIODE-SWITCHING | 1N4148,100V,200mA,DO-35,TP | |
| DB02 | 0401-000005 | DIODE-SWITCHING | 1N4148,100V,200mA,DO-35,TP | |
| DB03 | 0401-000004 | DIODE-SWITCHING | 1SS244,250V,625mA,DO-34,TP | |
| DB04 | 0401-000004 | DIODE-SWITCHING | 1SS244,250V,625mA,DO-34,TP | |
| DB05 | 0401-000005 | DIODE-SWITCHING | 1N4148,100V,200mA,DO-35,TP | |
| DG01 | 0401-000005 | DIODE-SWITCHING | 1N4148,100V,200mA,DO-35,TP | |
| DG02 | 0401-000005 | DIODE-SWITCHING | 1N4148,100V,200mA,DO-35,TP | |
| DG03 | 0401-000004 | DIODE-SWITCHING | 1SS244,250V,625mA,DO-34,TP | |
| DG04 | 0401-000004 | DIODE-SWITCHING | 1SS244,250V,625mA,DO-34,TP | |
| DG05 | 0401-000005 | DIODE-SWITCHING | 1N4148,100V,200mA,DO-35,TP | |
| DR01 | 0401-000005 | DIODE-SWITCHING | 1N4148,100V,200mA,DO-35,TP | |
| DR02 | 0401-000005 | DIODE-SWITCHING | 1N4148,100V,200mA,DO-35,TP | |
| DR03 | 0401-000004 | DIODE-SWITCHING | 1SS244,250V,625mA,DO-34,TP | |
| DR04 | 0401-000004 | DIODE-SWITCHING | 1SS244,250V,625mA,DO-34,TP | |
| DR05 | 0401-000005 | DIODE-SWITCHING | 1N4148,100V,200mA,DO-35,TP | |
| EY1 | 6042-000002 | EYELET | ID1.5,OD2,L3.1,SN,BSS3-E/EH | SNA |
| EY3 | 6042-000001 | EYELET | ID2.2,OD2.7,L3.1,SN,BSS3-E/EH | SNA |
| EY4 | 6042-000002 | EYELET | ID1.5,OD2,L3.1,SN,BSS3-E/EH | SNA |
| EY5 | 6042-000002 | EYELET | ID1.5,OD2,L3.1,SN,BSS3-E/EH | SNA |
| EY6 | 6042-000002 | EYELET | ID1.5,OD2,L3.1,SN,BSS3-E/EH | SNA |
| G2 | BH71-40300A | PIN HINGE | BRASS,D2.36!,HEAT/SINK,SN | SNA |
| GND | BH71-40300A | PIN HINGE | BRASS,D2.36!,HEAT/SINK,SN | SNA |
| IC104 | BH13-00022A | IC HYBRID-BIAS CLAMP | LM2480NA,PN15H/17L,8P,0to+70C,DIP,3mA,85V,ST | |
| J1 | BH39-40305U | CBF HARNESS | 52MM,AWG22(0.6PI),--,AWG22(0. | |
| J10 | BH39-40305U | CBF HARNESS | 52MM,AWG22(0.6PI),--,AWG22(0. | |
| J11 | BH39-40305U | CBF HARNESS | 52MM,AWG22(0.6PI),--,AWG22(0. | |
| J12 | BH39-40305U | CBF HARNESS | 52MM,AWG22(0.6PI),--,AWG22(0. | |
| J13 | BH39-40305U | CBF HARNESS | 52MM,AWG22(0.6PI),--,AWG22(0. | |
| J14 | BH39-40305U | CBF HARNESS | 52MM,AWG22(0.6PI),--,AWG22(0. | |
| J15 | BH39-40305U | CBF HARNESS | 52MM,AWG22(0.6PI),--,AWG22(0. | |
| J2 | BH39-40305U | CBF HARNESS | 52MM,AWG22(0.6PI),--,AWG22(0. | |
| J3 | BH39-40305U | CBF HARNESS | 52MM,AWG22(0.6PI),--,AWG22(0. | |
| J4 | BH39-40305U | CBF HARNESS | 52MM,AWG22(0.6PI),--,AWG22(0. | |
| J5 | BH39-40305U | CBF HARNESS | 52MM,AWG22(0.6PI),--,AWG22(0. | |
| J6 | BH39-40305U | CBF HARNESS | 52MM,AWG22(0.6PI),--,AWG22(0. | |
| J7 | BH39-40305U | CBF HARNESS | 52MM,AWG22(0.6PI),--,AWG22(0. | |
| J8 | BH39-40305U | CBF HARNESS | 52MM,AWG22(0.6PI),--,AWG22(0. | |
| J9 | BH39-40305U | CBF HARNESS | 52MM,AWG22(0.6PI),--,AWG22(0. | |
| L101 | 2701-000112 | INDUCTOR-AXIAL | 100uH,10%,3x7mm | |
| L103 | 2701-000319 | INDUCTOR-AXIAL | 470NH,10%,3X7MM | |
| LB01 | 2701-001065 | INDUCTOR-AXIAL | 0.22UH,10%,3X7MM | |
| LG01 | 2701-001065 | INDUCTOR-AXIAL | 0.22UH,10%,3X7MM | |
| LR01 | 2701-001065 | INDUCTOR-AXIAL | 0.22UH,10%,3X7MM | |
| MP1.0_VID | BH41-00216A | PCB | AN17K*,FR1,1,1.6T,247*247MM,6,VIDEO | |
| R101 | 2001-000522 | R-CARBON | 22KOHM,5%,1/8W,AA,TP,1.8X3.2MM | |
| R102 | 2001-000281 | R-CARBON | 100OHM,5%,1/8W,AA,TP,1.8X3.2MM | |

| Loc. No. | Code No. | Description | Specification | Remarks |
|----------|-------------|------------------|---|---------|
| R103 | 2001-001138 | R-CARBON(S) | 390OHM,5%,1/2W,AA,TP,2.4X6.4MM | |
| R104 | 2001-001138 | R-CARBON(S) | 390OHM,5%,1/2W,AA,TP,2.4X6.4MM | |
| R105 | 2001-000890 | R-CARBON | 6.8KOHM,5%,1/8W,AA,TP,1.8X3.2MM | |
| R107 | 2001-000429 | R-CARBON | 1KOHM,5%,1/8W,AA,TP,1.8X3.2MM | |
| R108 | 2001-000591 | R-CARBON | 3.3KOHM,5%,1/8W,AA,TP,1.8X3.2MM | |
| R109 | 2001-000331 | R-CARBON | 12KOHM,5%,1/8W,AA,TP,1.8X3.2MM | |
| R117 | 2001-000761 | R-CARBON | 430OHM,5%,1/8W,AA,TP,1.8X3.2MM | |
| R118 | 2001-000857 | R-CARBON | 560OHM,5%,1/8W,AA,TP,1.8X3.2MM | |
| R119 | 2001-000857 | R-CARBON | 560OHM,5%,1/8W,AA,TP,1.8X3.2MM | |
| R124 | 2001-000281 | R-CARBON | 100OHM,5%,1/8W,AA,TP,1.8X3.2MM | |
| R130 | 2003-002282 | R-METAL OXIDE(S) | 390HM,5%,1W,AF,TP,3.3X9MM | |
| RB01 | 2001-000969 | R-CARBON | 75OHM,5%,1/8W,AA,TP,1.8X3.2MM | |
| RB02 | 2001-000969 | R-CARBON | 75OHM,5%,1/8W,AA,TP,1.8X3.2MM | |
| RB03 | 2001-000857 | R-CARBON | 560OHM,5%,1/8W,AA,TP,1.8X3.2MM | |
| RB05 | 2001-000702 | R-CARBON | 39KOHM,5%,1/8W,AA,TP,1.8X3.2MM | |
| RB07 | 2001-000411 | R-CARBON | 18KOHM,5%,1/8W,AA,TP,1.8X3.2MM | |
| RB08 | 2001-000325 | R-CARBON | 120OHM,5%,1/8W,AA,TP,1.8X3.2MM | |
| RB09 | 2001-000962 | R-CARBON | 75KOHM,5%,1/4W,AA,TP,2.4X6.4MM | |
| RB10 | 2003-002281 | R-METAL OXIDE(S) | 120OHM,5%,1W,AF,TP,3.3X9MM | |
| RB15 | 2001-000281 | R-CARBON | 100OHM,5%,1/8W,AA,TP,1.8X3.2MM | |
| RG01 | 2001-000969 | R-CARBON | 75OHM,5%,1/8W,AA,TP,1.8X3.2MM | |
| RG02 | 2001-000969 | R-CARBON | 75OHM,5%,1/8W,AA,TP,1.8X3.2MM | |
| RG03 | 2001-000857 | R-CARBON | 560OHM,5%,1/8W,AA,TP,1.8X3.2MM | |
| RG05 | 2001-000702 | R-CARBON | 39KOHM,5%,1/8W,AA,TP,1.8X3.2MM | |
| RG07 | 2001-000411 | R-CARBON | 18KOHM,5%,1/8W,AA,TP,1.8X3.2MM | |
| RG08 | 2001-000325 | R-CARBON | 120OHM,5%,1/8W,AA,TP,1.8X3.2MM | |
| RG09 | 2001-000962 | R-CARBON | 75KOHM,5%,1/4W,AA,TP,2.4X6.4MM | |
| RG10 | 2003-002281 | R-METAL OXIDE(S) | 120OHM,5%,1W,AF,TP,3.3X9MM | |
| RG15 | 2001-000281 | R-CARBON | 100OHM,5%,1/8W,AA,TP,1.8X3.2MM | |
| RR01 | 2001-000969 | R-CARBON | 75OHM,5%,1/8W,AA,TP,1.8X3.2MM | |
| RR02 | 2001-000969 | R-CARBON | 75OHM,5%,1/8W,AA,TP,1.8X3.2MM | |
| RR03 | 2001-000857 | R-CARBON | 560OHM,5%,1/8W,AA,TP,1.8X3.2MM | |
| RR05 | 2001-000702 | R-CARBON | 39KOHM,5%,1/8W,AA,TP,1.8X3.2MM | |
| RR07 | 2001-000411 | R-CARBON | 18KOHM,5%,1/8W,AA,TP,1.8X3.2MM | |
| RR08 | 2001-000938 | R-CARBON | 68OHM,5%,1/8W,AA,TP,1.8X3.2MM | |
| RR09 | 2001-000962 | R-CARBON | 75KOHM,5%,1/4W,AA,TP,2.4X6.4MM | |
| RR10 | 2003-002044 | R-METAL OXIDE(S) | 100ohm,5%,1W,AF,TP,2.5x6.5mm | |
| RR15 | 2001-000281 | R-CARBON | 100OHM,5%,1/8W,AA,TP,1.8X3.2MM | |
| SK101 | 1405-001064 | SURGE ABSORBER | 400V,20%,--,-,AXIAL | |
| SK102 | 4715-000001 | SURGE ABSORBER | 1KV,+50-10%,--,-, | SNA |
| SKB01 | 4715-001065 | SURGE ABSORBER | 200V,20%,--,-,AXIAL | |
| SKG01 | 4715-001065 | SURGE ABSORBER | 200V,20%,--,-,AXIAL | |
| SKR01 | 4715-001065 | SURGE ABSORBER | 200V,20%,--,-,AXIAL | |
| ZD101 | 0403-000327 | DIODE-ZENER | UZ15BSA,15V,13.48-14.09V,500mW | |
| ZD102 | 0403-000355 | DIODE-ZENER | UZ5.1BSB,4.97-5.18V,500MW,DO-35,TP | |
| HS103 | BP96-00063A | ASSY HEAT SINK P | H/S VIDEO,SCREW+NUT,STV9556,OIL SILICON | |
| CIS | 0205-001027 | OIL-SILICON | G746,-,- | SNA |
| CIS | 1201-001905 | IC-VIDEO AMP | STV9556,CLIPWATT,11P,20X11MM,TRIPLE,20DB,PLASTIC,115V,6.5W,OTO+70C,,,,,ST | |
| CIS | 6006-001009 | SCREW-ASS'Y MACH | WSP,BH,+ ,M3(WOD6),L12,ZPC(YEL) | SNA |
| CIS | 6021-000118 | NUT-HEXAGON | 1C,M3,ZPC(YEL),SM20C | SNA |
| CIS | BH62-00006A | HEAT SINK-VIDEO | -,A1050S T2.0,-,DB | SNA |

7-1-3 AN17K* Others

| Loc. No. | Code No. | Description | Specification | Remarks |
|---------------|-------------|--------------------------|--|---------|
| - | BH90-00257A | ASSY STAND | PN17HT,ABS HB,IV16,W/W | SNA |
| CIS | BH75-00274A | UNIT-STAND | PN15VT,-,ABS HB,-,IV16,-,- | |
| CIS | BH60-00030A | FASTENER-BAND | PN17LT,ST+PVC,PO.4,-,150,YELLOW,-,-,- | SNA |
| CIS | BH61-40002A | FOOT-RUBBER | -,NR,PMS428U,GA4237,-,-,- | SNA |
| CIS | BH63-30103A | FELT-STAND | MCM1755,FELT,T1.0,W10,L4 | |
| CIS | BH68-20366A | LABEL-MARK STAND | -,ART PAPER 100(S),-,-,-,-,WHT,-,- | SNA |
| CIS | BH68-70306A | CARD-STAND | CVM4967PWS(SKD),WONSTROW,CHAIN | SNA |
| CIS | BH69-30348C | BAG-PE | HDPE,TO.02,W350*L430,Y,-,CGB51 | SNA |
| CIS | BH72-00277A | STAND TOP | PN15VT,ABS,HB,IV16 | SNA |
| CIS | BH72-60740A | STAND BASE-USB | CHB5807,ABS,HB,IV16 | SNA |
| - | BH90-00342B | ASSY COVER REAR | AQ17LS(T),ABS HB,IV16 | SNA |
| CIS | BH72-00329B | COVER REAR | AQ17LS,ABS,HB,IV16 | |
| - | BH90-00535A | ASSY COVER FRONT | AN17KS | SNA |
| C/F+C/R | 6003-000009 | SCREW-TAPTITE | BH,+ ,B,M4,L16,ZPC(YEL),SWRCH18 | SNA |
| C/F+CDT | 6006-001119 | SCREW-ASSY TAPT | WC,BH,+ ,M5,L25,ZPC(YEL),SWRCH18A | SNA |
| CIS | BH90-00546A | ASSY COVER FRONT | AN17KS,ABS HB,IV16 | |
| CIS | 6107-001036 | SPRING-CS | PI9.4,DO.6,L15,WHT,STS304WPB | SNA |
| CIS | BH59-00182A | PBA SUB-FUNCTION | PN17HT,DB-PN17HT,SAMSUNG,-,FUNCTION,-,- | SNA |
| D3 | 0403-000361 | DIODE-ZENER | UZ6.2BSB,6.2V,5.99-6.24V,500mW | |
| R231 | 2001-000241 | R-CARBON | 1.5KOHM,5%,1/8W,AA,TP,1.8X3.2MM | |
| R233 | 2001-000331 | R-CARBON | 12KOHM,5%,1/8W,AA,TP,1.8X3.2MM | |
| R234 | 2001-000563 | R-CARBON | 27KOHM,5%,1/8W,AA,TP,1.8X3.2MM | |
| R232 | 2001-000812 | R-CARBON | 5.6KOHM,5%,1/8W,AA,TP,1.8X3.2MM | |
| SW201 | 3404-000243 | SWITCH-TACT | 15V,20mA,160gf+-50gf,6x3.4mm,S | |
| SW202 | 3404-000243 | SWITCH-TACT | 15V,20mA,160gf+-50gf,6x3.4mm,S | |
| SW203 | 3404-000243 | SWITCH-TACT | 15V,20mA,160gf+-50gf,6x3.4mm,S | |
| SW204 | 3404-000243 | SWITCH-TACT | 15V,20mA,160gf+-50gf,6x3.4mm,S | |
| CN2 | BH39-00255A | CBF HARNESS | PN17HT,UL1007#26,UL/CSA 2P,150MM,BLU/WHT,AWG26,SMH250-02,60-9073-3018-02 | |
| CIS | BH41-00117A | PCB CONTROL | PN17HT,FR-1,1 LAYER,00,1.6t,13*84,PN17HT,-,CONTROL,CONTROL BOARD | SNA |
| CIS | BH63-00057A | COVER-FRONT | AN17KS,ABS+PC,ABS | |
| CIS | BH64-00096A | KNOB-FUNCTION | AQ17LS,ABS,HB,IV16 | SNA |
| CIS | BH64-00098A | KNOB-POWER | AQ17IS,ABS,-,-,-,HB,IV16,-,- | SNA |
| CIS | BH67-00018A | LENS-LED | PN15VT,ACRYL ,CLEAR,-,-,-,- | SNA |
| CIS | BH68-00035A | LABEL-MARK TC099(SET) | PE CLEAR,-,CLEAR,PMS032C,286C,BLK,-,TC099(SET),- | SNA |
| CIS | BH71-00121A | EARTH PLATE | PN17LT,SUS304,TO.15 | SNA |
| CIS | BH72-00294A | GUIDE-SPACER | PN15VT,ABS,HB,IV16 | SNA |
| CIS | BH72-60491B | CAP BOSS | CGK5517,TPE,80,GRAY,CDT SETTING | SNA |
| - | BH91-00784A | ASSY SHIELD | AN17KS | SNA |
| SH/BTM+SH/COV | 6003-000010 | SCREW-TAPTITE | BWH,+ ,B,M3,L10,ZPC(YEL),SWRCH1 | SNA |
| CIS | BH71-00060A | EARTH PLATE | DF17JS,PBS3 ,TO.3 | SNA |
| CIS | BH96-00079B | ASSY MISC P-SHIELD-COVER | AQ17LS,AL1050S | SNA |
| - | BH91-00793B | ASSY CDT | AN17KS | SNA |
| CDT | 0201-001052 | ADHESIVE-CYA | NO2(TOKYO)/3BCO,WHT,-,- | SNA |
| CDT | 0203-000005 | TAPE-ACETATE | SGT730,TO.26,W19,L3000,BLK | SNA |
| CIS | 3302-000006 | MAGNET-RUBBER | AF,14G,1620-1980G,0.58-0.9MGOe | SNA |
| CIS | 3309-000002 | MAGNET-SHEET | 5x20x80mm,UL94V-0,2 | SNA |
| CIS | BH03-00024T | CDT-SX | M410CJ761X173(T4),70,17,0,25,-,29.1,JFT,H/C,NH,-,TCO,TILT,4 | |
| CIS | BH68-30003B | LABEL-HIGH VOLTAGE | CKA4217(C),ART,100G,YEL,BLK,W30*L30,CDT-TUBE | SNA |
| CIS | BH96-00091A | ASSY D-COIL P | 17INCH,BH27-00128A,BH39-00167A | SNA |

| Loc. No. | Code No. | Description | Specification | Remarks |
|----------------|-------------|-------------------|---|---------|
| - | BH91-00796A | ASSY CHASSIS | AN17KS | |
| - | BH92-00869A | ASSY BOX | AN17KS | SNA |
| BOX | BH68-00329C | LABEL BAR CODE | -,ALL,TC099,DOMESTIC,ART-PAPER 90G,-,WHT,BLACK,-,-,- | SNA |
| BOX | BH69-00488A | BOX | S/M753DF,W/W,CB-SW4,YEL,A-1,L609*W566*H440 | SNA |
| - | BH92-00870A | ASSY LABEL | AN17KS | SNA |
| LABEL | BH68-00496B | LABEL RATING | AN17KS@EDC,SYNC,PE,TO.05,109,50,PE NATURE | |
| - | BH92-00871A | ASSY ACCESSORY | AN17KS | SNA |
| UNIT/ACCESSORY | BH96-00117C | ASSY ACCESSORY | AN17KSBU/EDC | |
| ACCESSORY | 0203-000214 | TAPE-OPP MASKING | OPP/W50/CLR,TO.05,W50,L400000, | SNA |
| ACCESSORY | BH39-10007A | CBF POWER CORD | DET,250V/6A,H05VV-F,LP-34A/KKP | |
| ACCESSORY | BH59-00335G | S/W DRIVER | AN17KS,IB/DRIVER,SYNCMASTER,E/F/S/G/P/I/R/H/PO.. | |
| ACCESSORY | BH68-00374A | CARD WARRANTY | ASC List,Samsung,ART100G,Russian,EDC,295,210 | SNA |
| ACCESSORY | BH68-00376J | MANUAL | AN_QUICK SETUP GUIDE,SYNCMASTER,E/F/S/G/P/I/L14LANGS,W/W,MOJO100G,298,420 | |
| ACCESSORY | BH68-00489A | MANUAL | RUSSIAN W/CARD,SER,RUSSIAN,RUSSIA,MOJO100G | SNA |
| ACCESSORY | BH68-70418A | CARD-EU BLOC WARR | SyncMaster,BASIC,EU,MOJO,100G, | SNA |
| ACCESSORY | BH69-30348D | BAG-PE | LDPE,TO.05,W240*L356,Y,-,CMG73 | SNA |
| - | BH92-00872A | ASSY P/MATERIAL | AN17KS | SNA |
| P/MATERIAL | 0203-001100 | TAPE-OPP MASKING | OPP/W75/CLR,TO.05,W75,L800000,CLR | SNA |
| CIS | 0203-001159 | TAPE-FILAMENT | #8915,TO.15,W12,L55000,CLR | SNA |
| CIS | BH69-00260A | BAG AIR | DP17L,PE,0.2,1800,1000,NATURAL,- | SNA |
| CIS | BH69-00458A | CUSHION | AN17KS,EPS,M50 | |
| P/MATERIAL | BH69-30002C | BAG-PE | LDPE,TO.05,W2400,NO_PRINT | SNA |
| P/MATERIAL | BH69-30348A | BAG-PE | HDPE,TO.02,W850*L800,Y,-,CGB51 | SNA |
| P/MATERIAL | BH69-30360A | BAG-AIR | HDPE,TO.2,W1000*L1800,N,-,ALL | SNA |
| P/MATERIAL | BH69-40380A | PACKING-PAD | DW-2,500X2200X200,-,CGK5527 | SNA |

7-2-1 AN17L* Main PCB Parts

| Loc. No. | Code No. | Description | Specification | Remarks |
|------------|-------------|---------------------|--|---------|
| - | BH94-00823D | ASSY PCB MAIN | AN17LS | SNA |
| AN_LABEL | BH68-00446D | LABEL | AN-STICKER,ART-PAPER 100G,15,15,BLACK,YELLOW | |
| C409 | 2306-000248 | C-FILM,MPPF | 680nF,5%,250V,BK,26.5x16.5mm,2 | |
| C430 | 2301-001125 | C-FILM,MPPF | 600nF,5%,250V,TP,26x20x11.5,20 | |
| C601 | 2301-001195 | C-FILM,MPPF | 150nF,10%,275VAC,BK,26x16.5x7, | |
| C602 | 2301-001195 | C-FILM,MPPF | 150nF,10%,275VAC,BK,26x16.5x7, | |
| C608 | 2401-002128 | C-AL | 220uF,20%,400V,GP,BK,25x40mm,10 | |
| CIS1 | 0202-001044 | SOLDER-WIRE. | S63S-W3.0,S63S,D3,63Sn/37Pb,- | SNA |
| CIS11 | BH68-00001A | LABEL-MARK CDT | ART-PAPER 100G,-,WHT,BLK,-,ALL,CDT | SNA |
| CIS13 | BH72-00025A | GUIDE-POWER | CDA4507,ABS,V0,IV16 | SNA |
| CIS14 | BH72-00026A | SHAFT-POWER | CDA4507,ABS,V0,IV16 | SNA |
| CIS15 | BH72-00299A | SHEET ABS-LMF | PN17LT,AL+PC T0.35,-,-,-,-,-,-,- | SNA |
| CIS16 | BH73-60304D | RUBBER-SUPPORT | DP15LT,CR V0,10*10*13,-,-,BLACK,-,-,-,- | SNA |
| CIS17 | BH71-00110A | SHIELD BOTTOM | PN15VT,SECC ,T1.0 | SNA |
| CIS2 | 0202-001046 | SOLDER-WIRE FLUX | CF-110VH-2A,-,-,-,- | SNA |
| CIS3 | 0202-001222 | SOLDER-WIRE FLUX | RS-107,RS60-1.2AA,D1.2,SN60/PB40,- | SNA |
| CIS4 | 0204-001095 | THINNER | #4520,-,-,-,- | SNA |
| CIS8 | 3301-000233 | CORE-FERRITE | ZZ,18x9.5x28mm,-,- | SNA |
| CLAMP1 | 6502-000001 | CABLE CLAMP | DAWH-5NB,D15,L35,NYLON66,NTR | SNA |
| CLAMP2 | 6502-000001 | CABLE CLAMP | DAWH-5NB,D15,L35,NYLON66,NTR | SNA |
| CN201 | 3711-003895 | CONNECTOR-HEADER | BOX,13P,1R,2mm,STRAIGHT,SN | SNA |
| CN202 | 3711-003873 | CONNECTOR-HEADER | BOX,7P,1R,2mm,STRAIGHT,SN | SNA |
| CN404 | 3711-003989 | CONNECTOR-HEADER | NOWALL,4P,1R,8mm,STRAIGHT,SN | SNA |
| CN501_G2 | BH39-00232A | CBF-HARNESS | DP17MO,UL1032,UL/CSA,1P,290MM,RED,AWG22,1YHF800-1,-,-,-,-,-,-,-,CBF-CONN ASSY | |
| CN502_W | BH39-00401B | LEAD CONNECTOR-ASSY | PN17L,UL1007#22,UL/CSA,3(2)P,BLU,#22,YBNH250-03,BK,200MM,1007#22 | |
| CN601 | BH39-00326B | HARNESS SOCKET | AN17*,UL1015,UL/CSA,3P,80MM,GRN/YEL,AWG18,ST780400-3,DAC-14,BK,AC250V/10A,80MM, | |
| CN604 | BH39-00288A | CBF HARNESS | PN17LO,UL1007,UL/CSA,2P/2P,130MM,BLU/WHT,AWG26,YBNH200,SNP250,-,-,-,-,-,-,-,CBF-CO | |
| D406 | 0402-001025 | DIODE-RECTIFIER | ERD07-15,1.5KV,1.5A,-,TP | |
| D409 | 0402-001295 | DIODE-RECTIFIER | GUR460L-5700,600V,4A,DO-201AD,BK | |
| D601 | 0402-000103 | DIODE-BRIDGE | D2SBA60,600V,1.5A,SIP-4,ST | |
| D608 | 0402-001456 | DIODE-RECTIFIER | UG2D,200V,2A,DO-204AC,BK | |
| D609 | 0402-000005 | DIODE-RECTIFIER | 31DF4,400V,3A,DO-201AD,BK | |
| D611 | 0402-001456 | DIODE-RECTIFIER | UG2D,200V,2A,DO-204AC,BK | |
| FBT+H/S | 6003-000122 | SCREW-TAPTITE | BWH,+ ,B,M4,L12,ZPC(YEL),SWRCH18 | SNA |
| FUSE | 3601-001302 | FUSE-AXIAL LEAD | 250V,3.15A,SLOW-BLOW,CERAMIC,5X20MM | SNA |
| IC201 SOCK | 3704-001071 | SOCKET-IC | 42P,DIP,SN,1.778mm | |
| IC401 | 1204-002013 | IC-DEF. PROCESSOR | STV6888,DIP,32P,400MIL,PLASTIC,13.2V,-,OTO+70C,ST,100KHZ | |
| IC605 | 0604-001018 | PHOTO-COUPLER | DAR-TR,63-125%,200mW,DIP-4,ST | SNA |
| L401 | BH27-00131A | COIL CHOKE | 150UH,AN17K,150UH,10%,0.35OHM,2.5A,AR8X25.72.5TS,18X39MM,11MM,BK | |
| L402 | BH27-00135A | COIL CHOKE | 120UH,CDTMO,120UH,10%,0.23OHM,5A,AR8X25.65.5TS,18X40MM,11MM,USTCO.12X20,TR,-10CT | |
| L403 | BH27-20342U | COIL-CHOKE | - ,8.2MH(250KHz),10%,DR8*11,-,-,-,-,-,10.5OHM,-,-,-,-,BULK | |
| L601 | BH27-00007A | COIL-LINE FILTER | SQE2424,25mH MIN,-,SQE 2424,-,PHENAL,-,-,0.32ohm,21*27*33,-,-,BULK | |
| OP201 | 0601-001147 | LED | ROUND,GRN,4.75mm,565nm | SNA |
| Q409 | 0505-001675 | FET-SILICON | IRF630B,N,200V,9A,0.4OHM,72W,TO-220 | |
| Q410 | 0505-001675 | FET-SILICON | IRF630B,N,200V,9A,0.4OHM,72W,TO-220 | |
| RL601 | 3501-001111 | RELAY-POWER | 12Vdc,250mW,5A,1FormA,15mS,5mS | |
| S/BTM+PCB | 6003-000010 | SCREW-TAPTITE | BWH,+ ,B,M3,L10,ZPC(YEL),SWRCH1 | SNA |
| S_CABLE | BH39-00411A | CBF SIGNAL | AN17L*,15P/6P,7P,20276-N,1500MM,UL20276,IVORY,D-SUB/MALE,ATT. TYPE | |
| SH/BT+AC/S | 6003-000010 | SCREW-TAPTITE | BWH,+ ,B,M3,L10,ZPC(YEL),SWRCH1 | SNA |
| SH/BT+SH/L | 6003-000010 | SCREW-TAPTITE | BWH,+ ,B,M3,L10,ZPC(YEL),SWRCH1 | SNA |
| SH/BT+VI/G | 6003-000010 | SCREW-TAPTITE | BWH,+ ,B,M3,L10,ZPC(YEL),SWRCH1 | SNA |
| SH/VID+H/S | 6003-000010 | SCREW-TAPTITE | BWH,+ ,B,M3,L10,ZPC(YEL),SWRCH1 | SNA |
| SW401 | 3406-000002 | SWITCH-ROTARY | 36Vdc,200mA,SP3T,- | |
| SW601 | 3403-001132 | SWITCH-PUSH | 30VDC,0.3A,DPST,SELF LOCK,- | |
| T401 | BH26-00027A | TRANS-HOR.DRIVE | -,-,-,-,-,-,-,-,-,-,PL-3,EI 1916,310uH,-,-,- | △ |

| Loc. No. | Code No. | Description | Specification | Remarks |
|----------|-------------|----------------------|--|---------|
| T402 | BH27-00132A | COIL LINEARITY | 4.4UH,4.4UH,DR12X15 C:4.5,7MM,15X15X35MM,12X8T,21.OTS,TR,12%,0.03OHM | |
| T501 | BH26-00143A | TRANS FBT | FCM17B015,AN17L,1.21MH,SM19C,FUR3757SUJ,0.510OHM,153.7V,13P,-10 -60,BK,27.0KV | △ |
| T502 | BH26-00112A | TRANS-FOCUS | EE-1916,PV17L,5P,1.7mH MIN,-,-,90.0mH MIN,-,-,0.85ohm,-,PL-3,EE-1916,20.0uH MAX, | |
| T601 | BH26-00142A | TRANS SWITCHING | EER3435,AN17L,90 -264,EER3435,350UH,89.0UH | |
| T602 | BH26-00141A | TRANS-SYNC | AR0615(L-81),AN17L,5P,200UH,200UH,1.30 OHM,L-81,AR0630, BAR,18*13*18.5,BK | |
| TH601 | 1404-001264 | THERMISTOR-PTC | 4.5OHM,+30/-20%,220V,290VAC,21A,-,TR | |
| TH602 | 1404-001020 | THERMISTOR-NTC | 8ohm,15%,-,17mW/C,BK | |
| CIS7 | BH97-00330E | ASSY MICOM | AN17KS | |
| IC201 | 0903-001194 | IC-MICROCONTROLLER | 3P863,8BIT,SDIP,42P,600MIL,12MHz,ST,CMOS,PLASTIC,5V,-,40to+85C,1040BYTE,48KBYTE | |
| CIS | BH46-00005T | S/W MICOM | AN17KS | SNA |
| - | BH97-00346D | ASSY AUTO-MAIN | AN17LS | SNA |
| BD301 | 3301-001450 | CORE-FERRITE BEAD | AA,45OHM,3.5X0.6X5.7MM,50MA,TP,SN-20(UI2000),- | SNA |
| BD302 | 3301-001450 | CORE-FERRITE BEAD | AA,45OHM,3.5X0.6X5.7MM,50MA,TP,SN-20(UI2000),- | SNA |
| BD401 | 3301-001450 | CORE-FERRITE BEAD | AA,45OHM,3.5X0.6X5.7MM,50MA,TP,SN-20(UI2000),- | SNA |
| BD402 | 3301-001450 | CORE-FERRITE BEAD | AA,45OHM,3.5X0.6X5.7MM,50MA,TP,SN-20(UI2000),- | SNA |
| BD403 | 3301-001450 | CORE-FERRITE BEAD | AA,45OHM,3.5X0.6X5.7MM,50MA,TP,SN-20(UI2000),- | SNA |
| BD404 | 3301-001450 | CORE-FERRITE BEAD | AA,45OHM,3.5X0.6X5.7MM,50MA,TP,SN-20(UI2000),- | SNA |
| BD410 | 3301-001450 | CORE-FERRITE BEAD | AA,45OHM,3.5X0.6X5.7MM,50MA,TP,SN-20(UI2000),- | SNA |
| BD601 | 3301-001450 | CORE-FERRITE BEAD | AA,45OHM,3.5X0.6X5.7MM,50MA,TP,SN-20(UI2000),- | SNA |
| BD602 | 3301-001450 | CORE-FERRITE BEAD | AA,45OHM,3.5X0.6X5.7MM,50MA,TP,SN-20(UI2000),- | SNA |
| BD603 | 3301-001450 | CORE-FERRITE BEAD | AA,45OHM,3.5X0.6X5.7MM,50MA,TP,SN-20(UI2000),- | SNA |
| BD605 | 3301-001450 | CORE-FERRITE BEAD | AA,45OHM,3.5X0.6X5.7MM,50MA,TP,SN-20(UI2000),- | SNA |
| C201 | 2401-000010 | C-AL | 220uF,20%,16V,GP,-,6.3x11mm,2. | |
| C202 | 2201-000389 | C-CERAMIC,DISC | 0.022nF,5%,50V,NP0,TP,5x3,5 | |
| C203 | 2201-000389 | C-CERAMIC,DISC | 0.022nF,5%,50V,NP0,TP,5x3,5 | |
| C204 | 2301-000148 | C-FILM,PEF | 10nF,5%,100V,TP,7x3.2x7mm,5mm | |
| C205 | 2401-000603 | C-AL | 1uF,20%,50V,GP,TP,5x11,5 | |
| C207 | 2401-000603 | C-AL | 1uF,20%,50V,GP,TP,5x11,5 | |
| C209 | 2401-002075 | C-AL | 4.7uF,20%,50V,GP,TP,5x11,5 | |
| C210 | 2401-000603 | C-AL | 1uF,20%,50V,GP,TP,5x11,5 | |
| C211 | 2201-000146 | C-CERAMIC,DISC | 0.1nF,5%,50V,SL,TP,5x3,5,5 | |
| C212 | 2201-000017 | C-CERAMIC,DISC | 1nF,10%,50V,Y5P,TP,5x3,5,5 | |
| C213 | 2301-000010 | C-FILM,PEF | 100nF,5%,100V,TP,11.5x12.5mm,5 | |
| C214 | 2401-000025 | C-AL | 100uF,20%,16V,GP,TP,6.3x11,5 | |
| C215 | 2201-000146 | C-CERAMIC,DISC | 0.1nF,5%,50V,SL,TP,5x3,5,5 | |
| C216 | 2401-002075 | C-AL | 4.7uF,20%,50V,GP,TP,5x11,5 | |
| C301 | 2301-001049 | C-FILM,MPEF | 150nF,5%,100V,TP,10.5x5x14.5,5 | |
| C302 | 2305-000412 | C-FILM,MPEF | 470nF,5%,63V,TP,-,5mm | |
| C303 | 2401-000031 | C-AL | 47uF,20%,16V,GP,TP,5x11,5 | |
| C304 | 2301-000519 | C-FILM,PEF | 3.3nF,5%,100V,TP,5.8x3x12.5,5m | |
| C305 | 2401-000037 | C-AL | 470uF,20%,16V,GP,TP,8x11.5,5 | |
| C306 | 2401-000856 | C-AL | 220uF,20%,35V,WT,TP,10x20,5 | |
| C307 | 2305-000237 | C-FILM,MPEF | 1uF,5%,63V,TP,7.5x15.5mm,5mm | |
| C308 | 2301-000148 | C-FILM,PEF | 10nF,5%,100V,TP,7x3.2x7mm,5mm | |
| C309 | 2202-002009 | C-CERAMIC,MLC-AXIAL | 100nF,+80-20%,50V,Y5V,TP,2.3X3 | |
| C312 | 2401-000050 | C-AL | 10uF,20%,16V,GP,TP,5x11,2,5 | |
| C340 | 2202-002008 | C-CERAMIC,MLC-AXIAL | 10nF,+80-20%,50V,Y5V,TP,2.3X3. | |
| C401 | 2401-000031 | C-AL | 47uF,20%,16V,GP,TP,5x11,5 | |
| C402 | 2305-000665 | C-FILM,MPEF | 100nF,5%,63V,TP,7.5x4.0x5.0mm, | |
| C403 | 2202-000573 | C-CERAMIC,MLC-RADIAL | 820pF,5%,50V,NP0,TP,5.1x3.2x5. | |
| C404 | 2301-000148 | C-FILM,PEF | 10nF,5%,100V,TP,7x3.2x7mm,5mm | |
| C405 | 2201-000471 | C-CERAMIC,DISC | 0.33nF,10%,50V,Y5P,TP,4x3,5,5 | |
| C406 | 2301-000203 | C-FILM,PEF | 2.7nF,5%,100V,TP,7x3.0x6.5mm,5 | |

| Loc. No. | Code No. | Description | Specification | Remarks |
|----------|-------------|---------------------|-------------------------------------|---------|
| C407 | 2401-003826 | C-AL | 220UF,20%,63V,LR,TP,10X25MM,5 | |
| C408 | 2201-000291 | C-CERAMIC,DISC | 1nF,10%,500V,Y5P,TP,7.5x3.5,5 | |
| C410 | 2401-000025 | C-AL | 100uF,20%,16V,GP,TP,6.3x11,5 | |
| C411 | 2301-000005 | C-FILM,PEF | 33nF,5%,100V,TP,5.8x12.5x3,5 | |
| C412 | 2301-000016 | C-FILM,PEF | 22nF,5%,100V,TP,7.2x4.5x9.0mm, | |
| C413 | 2401-001012 | C-AL | 3.3UF,20%,50V,BP,TP,16X25,7.5 | |
| C414 | 2401-001334 | C-AL | 470nF,20%,50V,GP,TP,5x11,2.5 | |
| C415 | 2401-001222 | C-AL | 4.7UF,20%,160V,WT,TP,8X11.5MM,5 | |
| C416 | 2301-000010 | C-FILM,PEF | 100nF,5%,100V,TP,11.5x12.5mm,5 | |
| C419 | 2309-000106 | C-FILM,MPE-PPF | 2.2nF,5%,1.6KV,TP,23x16x9,7.5mm | △ |
| C420 | 2303-000165 | C-FILM,PPF | 2.5nF,5%,1.6KV,TP,21x6.8x12.6mm,7.5 | △ |
| C421 | 2303-001029 | C-FILM,PPF | 5.2nF,5%,630V,TP,19x7x13,7.5 | |
| C423 | 2401-000603 | C-AL | 1uF,20%,50V,GP,TP,5x11,5 | |
| C425 | 2306-000131 | C-FILM,MPPF | 150nF,5%,250V,TP,19x16x7.5,7.5 | |
| C426 | 2401-000603 | C-AL | 1uF,20%,50V,GP,TP,5x11,5 | |
| C427 | 2306-000137 | C-FILM,MPPF | 180nF,5%,250V,TP,19x16.5x8,7.5 | |
| C429 | 2401-000603 | C-AL | 1uF,20%,50V,GP,TP,5x11,5 | |
| C431 | 2306-000169 | C-FILM,MPPF | 250nF,5%,250V,TP,19x18x9.5,7.5 | |
| C432 | 2305-001033 | C-FILM,MPEF | 15nF,10%,250V,TP,13X9.0X4.5mm, | |
| C433 | 2305-001003 | C-FILM,MPEF | 10nF,5%,250V,TP,13x4.5x9mm,7.5 | |
| C436 | 2201-000291 | C-CERAMIC,DISC | 1nF,10%,500V,Y5P,TP,7.5x3.5,5 | |
| C440 | 2401-001914 | C-AL | 1uF,20%,50V,BP,TP,5x11,5 | |
| C461 | 2401-002075 | C-AL | 4.7uF,20%,50V,GP,TP,5x11,5 | |
| C462 | 2301-000148 | C-FILM,PEF | 10nF,5%,100V,TP,7x3.2x7mm,5mm | |
| C463 | 2401-000597 | C-AL | 1uF,20%,50V,GP,TP,4x7mm,1.5mm | |
| C501 | 2301-000016 | C-FILM,PEF | 22nF,5%,100V,TP,7.2x4.5x9.0mm, | |
| C502 | 2401-000050 | C-AL | 10uF,20%,16V,GP,TP,5x11,2.5 | |
| C503 | 2201-000119 | C-CERAMIC,DISC | 100nF,+80-20%,50V,Y5V,TP,8x3,5 | |
| C504 | 2201-000471 | C-CERAMIC,DISC | 0.33nF,10%,50V,Y5P,TP,4x3,5,5 | |
| C505 | 2401-000059 | C-AL | 220nF,20%,50V,GP,-,5x11,5 | |
| C508 | 2401-002267 | C-AL | 2.2uF,20%,250V,GP,TP,8x11.5,5 | |
| C509 | 2401-000625 | C-AL | 2.2uF,20%,160V,GP,TP,6.3x11,5 | |
| C510 | 2301-000294 | C-FILM,PEF | 56nF,5%,100V,TP,9.5x12.5mm,5mm | |
| C512 | 2201-000152 | C-CERAMIC,DISC | 10NF,+80-20%,1KV,Y5V,TP,20*4,5 | |
| C513 | 2201-000291 | C-CERAMIC,DISC | 1nF,10%,500V,Y5P,TP,7.5x3.5,5 | |
| C514 | 2201-000469 | C-CERAMIC,DISC | 0.33nF,10%,500V,Y5P,TP,5.5x3,5 | |
| C515 | 2201-000469 | C-CERAMIC,DISC | 0.33nF,10%,500V,Y5P,TP,5.5x3,5 | |
| C516 | 2201-000469 | C-CERAMIC,DISC | 0.33nF,10%,500V,Y5P,TP,5.5x3,5 | |
| C517 | 2201-000469 | C-CERAMIC,DISC | 0.33nF,10%,500V,Y5P,TP,5.5x3,5 | |
| C541 | 2301-000004 | C-FILM,PEF | 2.2nF,5%,100V,TP,5.5X10X2.9,5m | |
| C551 | 2401-000050 | C-AL | 10uF,20%,16V,GP,TP,5x11,2.5 | |
| C552 | 2201-000132 | C-CERAMIC,DISC | 0.1nF,10%,500V,Y5P,TP,6.5x3,5 | |
| C553 | 2201-000291 | C-CERAMIC,DISC | 1nF,10%,500V,Y5P,TP,7.5x3.5,5 | |
| C603 | 2201-000024 | C-CERAMIC,DISC | 4.7nF,20%,250VAC,Y5U,TP,16x7,7 | |
| C604 | 2201-000024 | C-CERAMIC,DISC | 4.7nF,20%,250VAC,Y5U,TP,16x7,7 | |
| C606 | 2301-000005 | C-FILM,PEF | 33nF,5%,100V,TP,5.8x12.5x3,5 | |
| C607 | 2202-002009 | C-CERAMIC,MLC-AXIAL | 100nF,+80-20%,50V,Y5V,TP,2.3X3 | |
| C609 | 2401-000015 | C-AL | 33uF,20%,50V,WT,-,6.3x11mm,2.5 | |
| C610 | 2401-000025 | C-AL | 100uF,20%,16V,GP,TP,6.3x11,5 | |
| C611 | 2401-000613 | C-AL | 1uF,20%,50V,WT,TP,5x11,5 | |
| C612 | 2401-000613 | C-AL | 1uF,20%,50V,WT,TP,5x11,5 | |
| C613 | 2201-000012 | C-CERAMIC,DISC | 0.22nF,10%,1kV,Y5P,TP,6.3x5,5 | |
| C614 | 2201-000019 | C-CERAMIC,DISC | 10nF,+80-20%,500V,Y5V,TP,13.5x4mm,5 | |
| C615 | 2201-000291 | C-CERAMIC,DISC | 1nF,10%,500V,Y5P,TP,7.5x3.5,5 | |
| C616 | 2201-000023 | C-CERAMIC,DISC | 2.2nF,20%,125V,Y5U,TP,11x7,5 | |

| Loc. No. | Code No. | Description | Specification | Remarks |
|----------|-------------|---------------------|-------------------------------------|---------|
| C617 | 2201-000023 | C-CERAMIC,DISC | 2.2nF,20%,125V,Y5U,TP,11x7,5 | |
| C618 | 2401-000039 | C-AL | 1000uF,20%,16V,GP,TP,10x16,5 | |
| C619 | 2201-000469 | C-CERAMIC,DISC | 0.33nF,10%,500V,Y5P,TP,5.5x3,5 | |
| C620 | 2401-003826 | C-AL | 220UF,20%,63V,LR,TP,10X25MM,5 | |
| C621 | 2401-001576 | C-AL | 47uF,20%,50V,GP,TP,8x11.5,5 | |
| C622 | 2401-000039 | C-AL | 1000uF,20%,16V,GP,TP,10x16,5 | |
| C623 | 2401-000039 | C-AL | 1000uF,20%,16V,GP,TP,10x16,5 | |
| C624 | 2301-000004 | C-FILM,PEF | 2.2nF,5%,100V,TP,5.5X10X2.9,5m | |
| C625 | 2301-000174 | C-FILM,PEF | 15nF,5%,100V,TP,7.2x4.0x7.5mm, | |
| C626 | 2401-000025 | C-AL | 100uF,20%,16V,GP,TP,6.3x11,5 | |
| C627 | 2401-000292 | C-AL | 100uF,20%,16V,WT,TP,8x11.5mm,5 | |
| C628 | 2201-000019 | C-CERAMIC,DISC | 10nF,+80-20%,500V,Y5V,TP,13.5x4mm,5 | |
| C629 | 2202-002009 | C-CERAMIC,MLC-AXIAL | 100nF,+80-20%,50V,Y5V,TP,2.3X3 | |
| C630 | 2401-000037 | C-AL | 470uF,20%,16V,GP,TP,8x11.5,5 | |
| C631 | 2401-000292 | C-AL | 100uF,20%,16V,WT,TP,8x11.5mm,5 | |
| C633 | 2401-000603 | C-AL | 1uF,20%,50V,GP,TP,5x11,5 | |
| C634 | 2401-000480 | C-AL | 10uF,20%,50V,GP,TP,5x11,5 | |
| C635 | 2401-001576 | C-AL | 47uF,20%,50V,GP,TP,8x11.5,5 | |
| C636 | 2301-000013 | C-FILM,PEF | 4.7nF,5%,100V,TP,10.5x12.5x6.5 | |
| C643 | 2201-000017 | C-CERAMIC,DISC | 1nF,10%,50V,Y5P,TP,5x3.5,5 | |
| C649 | 2202-002009 | C-CERAMIC,MLC-AXIAL | 100nF,+80-20%,50V,Y5V,TP,2.3X3 | |
| CIS5 | 0203-001199 | TAPE-KRAFT | #53110,T0.1,W6,L2000M,BRN | SNA |
| CIS6 | 0203-001200 | TAPE-PAPER | #53128,T0.15,W5.5,L2000M,BEIGE | SNA |
| CN304 | 3711-000197 | CONNECTOR-HEADER | 1WALL,3P,1R,2.5mm,STRAIGHT,SN | SNA |
| CN501 | 6042-000001 | EYELET | ID2.2,OD2.7,L3.1,SN,BSS3-E/EH | SNA |
| CN603 | 3711-000217 | CONNECTOR-HEADER | 1WALL,3P,1R,3.96mm,STRAIGHT,SN | SNA |
| D201 | 0401-000005 | DIODE-SWITCHING | 1N4148,100V,200mA,DO-35,TP | |
| D301 | 0402-000274 | DIODE-RECTIFIER | UF4004,400V,1A,DO-41,TP | |
| D302 | 0401-000005 | DIODE-SWITCHING | 1N4148,100V,200mA,DO-35,TP | |
| D303 | 0402-000546 | DIODE-RECTIFIER | TVR10G,400V,1.0A,DO-41,TP | |
| D401 | 0402-000274 | DIODE-RECTIFIER | UF4004,400V,1A,DO-41,TP | |
| D402 | 0402-000006 | DIODE-RECTIFIER | 1N4007GP,1000V,1A,DO-41,TP | |
| D403 | 0402-000006 | DIODE-RECTIFIER | 1N4007GP,1000V,1A,DO-41,TP | |
| D404 | 0402-000006 | DIODE-RECTIFIER | 1N4007GP,1000V,1A,DO-41,TP | |
| D405 | 0402-000208 | DIODE-RECTIFIER | EK-04,40V,1.5A,DO-41 | |
| D407 | 0402-000274 | DIODE-RECTIFIER | UF4004,400V,1A,DO-41,TP | |
| D410 | 0402-000546 | DIODE-RECTIFIER | TVR10G,400V,1.0A,DO-41,TP | |
| D411 | 0402-000546 | DIODE-RECTIFIER | TVR10G,400V,1.0A,DO-41,TP | |
| D412 | 0402-000274 | DIODE-RECTIFIER | UF4004,400V,1A,DO-41,TP | |
| D413 | 0402-000546 | DIODE-RECTIFIER | TVR10G,400V,1.0A,DO-41,TP | |
| D414 | 0401-000005 | DIODE-SWITCHING | 1N4148,100V,200mA,DO-35,TP | |
| D415 | 0401-000005 | DIODE-SWITCHING | 1N4148,100V,200mA,DO-35,TP | |
| D416 | 0401-000005 | DIODE-SWITCHING | 1N4148,100V,200mA,DO-35,TP | |
| D419 | 0402-000274 | DIODE-RECTIFIER | UF4004,400V,1A,DO-41,TP | |
| D420 | 0401-000005 | DIODE-SWITCHING | 1N4148,100V,200mA,DO-35,TP | |
| D421 | 0401-000004 | DIODE-SWITCHING | 1SS244,250V,625mA,DO-34,TP | |
| D501 | 0401-000005 | DIODE-SWITCHING | 1N4148,100V,200mA,DO-35,TP | |
| D502 | 0402-000017 | DIODE-RECTIFIER | RGPO2-12,1200V,0.5A,DO-204AL,T | |
| D503 | 0402-000546 | DIODE-RECTIFIER | TVR10G,400V,1.0A,DO-41,TP | |
| D504 | 0402-000546 | DIODE-RECTIFIER | TVR10G,400V,1.0A,DO-41,TP | |
| D505 | 0401-000005 | DIODE-SWITCHING | 1N4148,100V,200mA,DO-35,TP | |
| D506 | 0401-000005 | DIODE-SWITCHING | 1N4148,100V,200mA,DO-35,TP | |
| D508 | 0401-000005 | DIODE-SWITCHING | 1N4148,100V,200mA,DO-35,TP | |
| D509 | 0401-000005 | DIODE-SWITCHING | 1N4148,100V,200mA,DO-35,TP | |
| D510 | 0401-000005 | DIODE-SWITCHING | 1N4148,100V,200mA,DO-35,TP | |

| Loc. No. | Code No. | Description | Specification | Remarks |
|----------|-------------|---------------------|--|---------|
| D511 | 0401-000005 | DIODE-SWITCHING | 1N4148,100V,200mA,DO-35,TP | |
| D512 | 0402-000017 | DIODE-RECTIFIER | RGP02-12,1200V,0.5A,DO-204AL,T | |
| D513 | 0401-000005 | DIODE-SWITCHING | 1N4148,100V,200mA,DO-35,TP | |
| D602 | 0401-000005 | DIODE-SWITCHING | 1N4148,100V,200mA,DO-35,TP | |
| D604 | 0402-000012 | DIODE-RECTIFIER | UF4007,1KV,1A,DO-41,TP | |
| D605 | 0402-000012 | DIODE-RECTIFIER | UF4007,1KV,1A,DO-41,TP | |
| D606 | 0402-000546 | DIODE-RECTIFIER | TVR10G,400V,1.0A,DO-41,TP | |
| D607 | 0401-000005 | DIODE-SWITCHING | 1N4148,100V,200mA,DO-35,TP | |
| D610 | 0402-000012 | DIODE-RECTIFIER | UF4007,1KV,1A,DO-41,TP | |
| D612 | 0402-000274 | DIODE-RECTIFIER | UF4004,400V,1A,DO-41,TP | |
| D613 | 0401-000005 | DIODE-SWITCHING | 1N4148,100V,200mA,DO-35,TP | |
| D615 | 0403-000361 | DIODE-ZENER | UZ6.2BSB,6.2V,5.99-6.24V,500mW | |
| D616 | 0403-000361 | DIODE-ZENER | UZ6.2BSB,6.2V,5.99-6.24V,500mW | |
| D625 | 0401-000005 | DIODE-SWITCHING | 1N4148,100V,200mA,DO-35,TP | |
| D626 | 0401-000005 | DIODE-SWITCHING | 1N4148,100V,200mA,DO-35,TP | |
| D628 | 0401-000005 | DIODE-SWITCHING | 1N4148,100V,200mA,DO-35,TP | |
| D629 | 0401-000005 | DIODE-SWITCHING | 1N4148,100V,200mA,DO-35,TP | |
| D630 | 0401-000005 | DIODE-SWITCHING | 1N4148,100V,200mA,DO-35,TP | |
| EY301 | 6042-000001 | EYELET | ID2.2,OD2.7,L3.1,SN,BSS3-E/EH | SNA |
| EY302 | 6042-000001 | EYELET | ID2.2,OD2.7,L3.1,SN,BSS3-E/EH | SNA |
| EY401 | 6042-000002 | EYELET | ID1.5,OD2,L3.1,SN,BSS3-E/EH | SNA |
| EY444 | 6042-000002 | EYELET | ID1.5,OD2,L3.1,SN,BSS3-E/EH | SNA |
| EY445 | 6042-000002 | EYELET | ID1.5,OD2,L3.1,SN,BSS3-E/EH | SNA |
| EY501 | 6042-000001 | EYELET | ID2.2,OD2.7,L3.1,SN,BSS3-E/EH | SNA |
| EY502 | 6042-000001 | EYELET | ID2.2,OD2.7,L3.1,SN,BSS3-E/EH | SNA |
| EY503 | 6042-000001 | EYELET | ID2.2,OD2.7,L3.1,SN,BSS3-E/EH | SNA |
| EY504 | 6042-000002 | EYELET | ID1.5,OD2,L3.1,SN,BSS3-E/EH | SNA |
| EY505 | 6042-000002 | EYELET | ID1.5,OD2,L3.1,SN,BSS3-E/EH | SNA |
| EY506 | 6042-000002 | EYELET | ID1.5,OD2,L3.1,SN,BSS3-E/EH | SNA |
| EY507 | 6042-000002 | EYELET | ID1.5,OD2,L3.1,SN,BSS3-E/EH | SNA |
| EY508 | 6042-000002 | EYELET | ID1.5,OD2,L3.1,SN,BSS3-E/EH | SNA |
| EY509 | 6042-000002 | EYELET | ID1.5,OD2,L3.1,SN,BSS3-E/EH | SNA |
| EY510 | 6042-000002 | EYELET | ID1.5,OD2,L3.1,SN,BSS3-E/EH | SNA |
| EY601 | 6042-000001 | EYELET | ID2.2,OD2.7,L3.1,SN,BSS3-E/EH | SNA |
| EY602 | 6042-000001 | EYELET | ID2.2,OD2.7,L3.1,SN,BSS3-E/EH | SNA |
| EY603 | 6042-000001 | EYELET | ID2.2,OD2.7,L3.1,SN,BSS3-E/EH | SNA |
| EY604 | 6042-000001 | EYELET | ID2.2,OD2.7,L3.1,SN,BSS3-E/EH | SNA |
| EY605 | 6042-000001 | EYELET | ID2.2,OD2.7,L3.1,SN,BSS3-E/EH | SNA |
| EY606 | 6042-000001 | EYELET | ID2.2,OD2.7,L3.1,SN,BSS3-E/EH | SNA |
| EY607 | 6042-000002 | EYELET | ID1.5,OD2,L3.1,SN,BSS3-E/EH | SNA |
| EY608 | 6042-000002 | EYELET | ID1.5,OD2,L3.1,SN,BSS3-E/EH | SNA |
| EY609 | 6042-000002 | EYELET | ID1.5,OD2,L3.1,SN,BSS3-E/EH | SNA |
| EY610 | 6042-000002 | EYELET | ID1.5,OD2,L3.1,SN,BSS3-E/EH | SNA |
| GT603 | BH71-40300A | PIN HINGE | BRASS,D2.361,HEAT/SINK,SN | SNA |
| GT604 | BH71-40300A | PIN HINGE | BRASS,D2.361,HEAT/SINK,SN | SNA |
| IC202 | 1103-001149 | IC-EEPROM | 524C80D41,4KBIT,DIP,8P,300MIL,10mS,5V,10%,PLASTIC,-25to+70C,10uA,CMOS,ST | |
| IC602 | 1203-000002 | IC-POSI.ADJUST REG. | 431,TO-92,3P,-,PLASTIC,2.44/2. | |
| IC604 | 1203-002653 | IC-POSI.FIXED REG. | 78DL05,TO-92,3P,4.5X4.5MM,PLASTIC,4.8/5.2V,625MW,-40TO+85C,150MA,-,TP | |
| JP_DHHS | BH39-40305U | CBF HARNESS | 52MM,AWG22(0.6PI),-,-,AWG22(0. | |
| JP1 | BH39-40305U | CBF HARNESS | 52MM,AWG22(0.6PI),-,-,AWG22(0. | |
| JP10 | BH39-40305U | CBF HARNESS | 52MM,AWG22(0.6PI),-,-,AWG22(0. | |
| JP11 | BH39-40305U | CBF HARNESS | 52MM,AWG22(0.6PI),-,-,AWG22(0. | |
| JP12 | BH39-40305U | CBF HARNESS | 52MM,AWG22(0.6PI),-,-,AWG22(0. | |
| JP13 | BH39-40305U | CBF HARNESS | 52MM,AWG22(0.6PI),-,-,AWG22(0. | |
| JP14 | BH39-40305U | CBF HARNESS | 52MM,AWG22(0.6PI),-,-,AWG22(0. | |

| Loc. No. | Code No. | Description | Specification | Remarks |
|------------|-------------|-----------------|--|---------|
| JP56 | BH39-40305U | CBF HARNESS | 52MM,AWG22(0.6PI),-,-,AWG22(0. | |
| JP57 | BH39-40305U | CBF HARNESS | 52MM,AWG22(0.6PI),-,-,AWG22(0. | |
| JP59 | BH39-40305U | CBF HARNESS | 52MM,AWG22(0.6PI),-,-,AWG22(0. | |
| JP6 | BH39-40305U | CBF HARNESS | 52MM,AWG22(0.6PI),-,-,AWG22(0. | |
| JP60 | BH39-40305U | CBF HARNESS | 52MM,AWG22(0.6PI),-,-,AWG22(0. | |
| JP61 | BH39-40305U | CBF HARNESS | 52MM,AWG22(0.6PI),-,-,AWG22(0. | |
| JP62 | BH39-40305U | CBF HARNESS | 52MM,AWG22(0.6PI),-,-,AWG22(0. | |
| JP63 | BH39-40305U | CBF HARNESS | 52MM,AWG22(0.6PI),-,-,AWG22(0. | |
| JP64 | BH39-40305U | CBF HARNESS | 52MM,AWG22(0.6PI),-,-,AWG22(0. | |
| JP65 | BH39-40305U | CBF HARNESS | 52MM,AWG22(0.6PI),-,-,AWG22(0. | |
| JP66 | BH39-40305U | CBF HARNESS | 52MM,AWG22(0.6PI),-,-,AWG22(0. | |
| JP67 | BH39-40305U | CBF HARNESS | 52MM,AWG22(0.6PI),-,-,AWG22(0. | |
| JP68 | BH39-40305U | CBF HARNESS | 52MM,AWG22(0.6PI),-,-,AWG22(0. | |
| JP69 | BH39-40305U | CBF HARNESS | 52MM,AWG22(0.6PI),-,-,AWG22(0. | |
| JP7 | BH39-40305U | CBF HARNESS | 52MM,AWG22(0.6PI),-,-,AWG22(0. | |
| JP70 | BH39-40305U | CBF HARNESS | 52MM,AWG22(0.6PI),-,-,AWG22(0. | |
| JP71 | BH39-40305U | CBF HARNESS | 52MM,AWG22(0.6PI),-,-,AWG22(0. | |
| JP73 | BH39-40305U | CBF HARNESS | 52MM,AWG22(0.6PI),-,-,AWG22(0. | |
| JP74 | BH39-40305U | CBF HARNESS | 52MM,AWG22(0.6PI),-,-,AWG22(0. | |
| JP75 | BH39-40305U | CBF HARNESS | 52MM,AWG22(0.6PI),-,-,AWG22(0. | |
| JP76 | BH39-40305U | CBF HARNESS | 52MM,AWG22(0.6PI),-,-,AWG22(0. | |
| JP78 | BH39-40305U | CBF HARNESS | 52MM,AWG22(0.6PI),-,-,AWG22(0. | |
| JP79 | BH39-40305U | CBF HARNESS | 52MM,AWG22(0.6PI),-,-,AWG22(0. | |
| JP8 | BH39-40305U | CBF HARNESS | 52MM,AWG22(0.6PI),-,-,AWG22(0. | |
| JP80 | BH39-40305U | CBF HARNESS | 52MM,AWG22(0.6PI),-,-,AWG22(0. | |
| JP81 | BH39-40305U | CBF HARNESS | 52MM,AWG22(0.6PI),-,-,AWG22(0. | |
| JP84 | BH39-40305U | CBF HARNESS | 52MM,AWG22(0.6PI),-,-,AWG22(0. | |
| JP85 | BH39-40305U | CBF HARNESS | 52MM,AWG22(0.6PI),-,-,AWG22(0. | |
| JP86 | BH39-40305U | CBF HARNESS | 52MM,AWG22(0.6PI),-,-,AWG22(0. | |
| JP87 | BH39-40305U | CBF HARNESS | 52MM,AWG22(0.6PI),-,-,AWG22(0. | |
| JP9 | BH39-40305U | CBF HARNESS | 52MM,AWG22(0.6PI),-,-,AWG22(0. | |
| MP1.0_MAIN | BH41-00215A | PCB | AN17K*,FR1,1,1.6T,247*247,MAIN | |
| Q301 | 0501-000122 | TR-SMALL SIGNAL | 2N3904,NPN,625mW,TO-92,TP,100-300 | |
| Q302 | 0501-000581 | TR-SMALL SIGNAL | 2N3906,PNP,625mW,TO-92,TP,100-300 | |
| Q303 | 0501-000586 | TR-SMALL SIGNAL | KSC945,NPN,250mW,TO-92,TP,120-240 | |
| Q401 | 0501-000586 | TR-SMALL SIGNAL | KSC945,NPN,250mW,TO-92,TP,120-240 | |
| Q403 | 0501-000372 | TR-SMALL SIGNAL | KSC2383-Y,NPN,900000mW,TO-92L,TP,160-320 | |
| Q405 | 0501-000303 | TR-SMALL SIGNAL | KSA733,PNP,250mW,TO-92,TP,120-240 | |
| Q406 | 0501-000303 | TR-SMALL SIGNAL | KSA733,PNP,250mW,TO-92,TP,120-240 | |
| Q407 | 0501-000140 | TR-SMALL SIGNAL | 2N5551,NPN,625mW,TO-92,TP,80-250 | |
| Q414 | 0501-000412 | TR-SMALL SIGNAL | KSP42,NPN,625mW,TO-92,-,40 | |
| Q415 | 0501-000412 | TR-SMALL SIGNAL | KSP42,NPN,625mW,TO-92,-,40 | |
| Q416 | 0501-000412 | TR-SMALL SIGNAL | KSP42,NPN,625mW,TO-92,-,40 | |
| Q420 | 0501-000303 | TR-SMALL SIGNAL | KSA733,PNP,250mW,TO-92,TP,120-240 | |
| Q502 | 0501-000143 | TR-SMALL SIGNAL | 2N6520,PNP,625mW,TO-92,TP,30-200 | |
| Q551 | 0501-000413 | TR-SMALL SIGNAL | KSP44,NPN,625mW,TO-92,TP,50-200 | |
| Q601 | 0501-000010 | TR-SMALL SIGNAL | KSC1008,NPN,800mW,TO-92,TP,120-240 | |
| Q602 | 0501-000586 | TR-SMALL SIGNAL | KSC945,NPN,250mW,TO-92,TP,120-240 | |
| Q604 | 0501-000404 | TR-SMALL SIGNAL | KSD1616-Y,NPN,750mW,TO-92,TP,135-270 | |
| Q609 | 0501-002228 | TR-SMALL SIGNAL | KTA1281,PNP,1000mW,TO-92L,TP,120-240 | |
| Q610 | 0501-000586 | TR-SMALL SIGNAL | KSC945,NPN,250mW,TO-92,TP,120-240 | |
| Q611 | 0501-000586 | TR-SMALL SIGNAL | KSC945,NPN,250mW,TO-92,TP,120-240 | |
| Q613 | 0501-002228 | TR-SMALL SIGNAL | KTA1281,PNP,1000mW,TO-92L,TP,120-240 | |
| Q614 | 0501-000586 | TR-SMALL SIGNAL | KSC945,NPN,250mW,TO-92,TP,120-240 | |
| R200 | 2001-000869 | R-CARBON | 560HM,5%,1/8W,AA,TP,1.8X3.2MM | |

| Loc. No. | Code No. | Description | Specification | Remarks |
|----------|-------------|---------------|---------------------------------|---------|
| R201 | 2001-000290 | R-CARBON | 10KOHM,5%,1/8W,AA,TP,1.8X3.2MM | |
| R202 | 2001-000290 | R-CARBON | 10KOHM,5%,1/8W,AA,TP,1.8X3.2MM | |
| R203 | 2001-000008 | R-CARBON | 15KOHM,5%,1/8W,AA,TP,1.8X3.2MM | |
| R204 | 2001-000008 | R-CARBON | 15KOHM,5%,1/8W,AA,TP,1.8X3.2MM | |
| R205 | 2001-000290 | R-CARBON | 10KOHM,5%,1/8W,AA,TP,1.8X3.2MM | |
| R206 | 2001-000435 | R-CARBON | 1MOHM,5%,1/8W,AA,TP,1.8X3.2MM | |
| R207 | 2001-000869 | R-CARBON | 56OHM,5%,1/8W,AA,TP,1.8X3.2MM | |
| R208 | 2001-000869 | R-CARBON | 56OHM,5%,1/8W,AA,TP,1.8X3.2MM | |
| R209 | 2001-000290 | R-CARBON | 10KOHM,5%,1/8W,AA,TP,1.8X3.2MM | |
| R212 | 2001-000591 | R-CARBON | 3.3KOHM,5%,1/8W,AA,TP,1.8X3.2MM | |
| R213 | 2001-000290 | R-CARBON | 10KOHM,5%,1/8W,AA,TP,1.8X3.2MM | |
| R214 | 2001-000429 | R-CARBON | 1KOHM,5%,1/8W,AA,TP,1.8X3.2MM | |
| R215 | 2001-000281 | R-CARBON | 100OHM,5%,1/8W,AA,TP,1.8X3.2MM | |
| R216 | 2001-000281 | R-CARBON | 100OHM,5%,1/8W,AA,TP,1.8X3.2MM | |
| R217 | 2001-000281 | R-CARBON | 100OHM,5%,1/8W,AA,TP,1.8X3.2MM | |
| R218 | 2001-000281 | R-CARBON | 100OHM,5%,1/8W,AA,TP,1.8X3.2MM | |
| R220 | 2001-000281 | R-CARBON | 100OHM,5%,1/8W,AA,TP,1.8X3.2MM | |
| R221 | 2001-000734 | R-CARBON | 4.7KOHM,5%,1/8W,AA,TP,1.8X3.2MM | |
| R222 | 2001-000734 | R-CARBON | 4.7KOHM,5%,1/8W,AA,TP,1.8X3.2MM | |
| R223 | 2001-000554 | R-CARBON | 270OHM,5%,1/8W,AA,TP,1.8X3.2MM | |
| R224 | 2001-000869 | R-CARBON | 56OHM,5%,1/8W,AA,TP,1.8X3.2MM | |
| R225 | 2001-000869 | R-CARBON | 56OHM,5%,1/8W,AA,TP,1.8X3.2MM | |
| R229 | 2001-000281 | R-CARBON | 100OHM,5%,1/8W,AA,TP,1.8X3.2MM | |
| R235 | 2001-000290 | R-CARBON | 10KOHM,5%,1/8W,AA,TP,1.8X3.2MM | |
| R236 | 2001-000290 | R-CARBON | 10KOHM,5%,1/8W,AA,TP,1.8X3.2MM | |
| R301 | 2001-000734 | R-CARBON | 4.7KOHM,5%,1/8W,AA,TP,1.8X3.2MM | |
| R302 | 2001-000281 | R-CARBON | 100OHM,5%,1/8W,AA,TP,1.8X3.2MM | |
| R304 | 2004-000344 | R-METAL | 15Kohm,1%,1/4W,AA,TP,2.4x6.4mm | |
| R306 | 2004-000899 | R-METAL | 4.7Kohm,1%,1/4W,AA,TP,2.4x6.4m | |
| R307 | 2001-000016 | R-CARBON(S) | 1OHM,5%,1/2W,AA,TP,2.4X6.4MM | |
| R308 | 2001-000109 | R-CARBON(S) | 470OHM,5%,1/2W,AA,TP,2.4X6.4MM | |
| R309 | 2004-005002 | R-METAL | 1.2ohm,2%,1/2W,AA,TP,3.3x9.0mm | |
| R310 | 2004-001005 | R-METAL | 5.1Kohm,1%,1/4W,AA,TP,2.4x6.4m | |
| R311 | 2004-000947 | R-METAL | 43Kohm,1%,1/4W,AA,TP,2.4x6.4mm | |
| R315 | 2004-004088 | R-METAL(S) | 1ohm,1%,1/2W,AA,TP,2.5x6.5mm | |
| R316 | 2001-000812 | R-CARBON | 5.6KOHM,5%,1/8W,AA,TP,1.8X3.2MM | |
| R317 | 2001-000786 | R-CARBON | 47KOHM,5%,1/8W,AA,TP,1.8X3.2MM | |
| R320 | 2001-000290 | R-CARBON | 10KOHM,5%,1/8W,AA,TP,1.8X3.2MM | |
| R321 | 2001-000302 | R-CARBON | 100OHM,5%,1/8W,AA,TP,1.8X3.2MM | |
| R322 | 2001-000878 | R-CARBON | 6.2KOHM,5%,1/8W,AA,TP,1.8X3.2MM | |
| R323 | 2001-001079 | R-CARBON(S) | 150OHM,5%,1/2W,AA,TP,2.4X6.4MM | |
| R324 | 2001-000273 | R-CARBON | 100KOHM,5%,1/8W,AA,TP,1.8X3.2MM | |
| R325 | 2001-001079 | R-CARBON(S) | 150OHM,5%,1/2W,AA,TP,2.4X6.4MM | |
| R326 | 2001-000042 | R-CARBON | 1KOHM,5%,1/4W,AA,TP,2.4X6.4MM | |
| R327 | 2001-000273 | R-CARBON | 100KOHM,5%,1/8W,AA,TP,1.8X3.2MM | |
| R328 | 2001-000908 | R-CARBON | 62KOHM,5%,1/8W,AA,TP,1.8X3.2MM | |
| R340 | 2001-000908 | R-CARBON | 62KOHM,5%,1/8W,AA,TP,1.8X3.2MM | |
| R401 | 2004-000327 | R-METAL | 150Kohm,1%,1/4W,AA,TP,2.4x6.4m | |
| R404 | 2004-001022 | R-METAL | 5.6Kohm,1%,1/4W,AA,TP,2.4x6.4m | |
| R405 | 2001-000449 | R-CARBON | 2.2KOHM,5%,1/8W,AA,TP,1.8X3.2MM | |
| R406 | 2001-000522 | R-CARBON | 22KOHM,5%,1/8W,AA,TP,1.8X3.2MM | |
| R407 | 2001-001099 | R-CARBON(S) | 2.7KOHM,5%,1/2W,AA,TP,2.4X6.4MM | |
| R408 | 2003-000145 | R-METAL OXIDE | 100ohm,5%,1W,AA,TP,4.3x12mm | |
| R411 | 2001-000333 | R-CARBON | 120HM,5%,1/4W,AA,TP,2.4X6.4MM | |
| R412 | 2001-000429 | R-CARBON | 1KOHM,5%,1/8W,AA,TP,1.8X3.2MM | △ |

| Loc. No. | Code No. | Description | Specification | Remarks |
|----------|-------------|------------------|---------------------------------|---------|
| R413 | 2003-000407 | R-METAL OXIDE(S) | 0.6ohm,5%,2W,AA,TP,4x12mm | △ |
| R415 | 2003-000701 | R-METAL OXIDE(S) | 470ohm,5%,2W,AA,TP,4x12mm | |
| R416 | 2001-000107 | R-CARBON(S) | 150KOHM,5%,1/2W,AA,TP,2.4X6.4MM | |
| R417 | 2001-000290 | R-CARBON | 10KOHM,5%,1/8W,AA,TP,1.8X3.2MM | |
| R418 | 2001-000221 | R-CARBON | 1.2KOHM,5%,1/8W,AA,TP,1.8X3.2MM | |
| R419 | 2001-000531 | R-CARBON | 240KOHM,5%,1/8W,AA,TP,1.8X3.2MM | |
| R420 | 2004-000327 | R-METAL | 150Kohm,1%,1/4W,AA,TP,2.4x6.4m | |
| R423 | 2004-000176 | R-METAL | 1.8Kohm,1%,1/4W,AA,TP,2.4x6.4m | |
| R424 | 2004-000216 | R-METAL | 10Kohm,1%,1/4W,AA,TP,2.4x6.4mm | |
| R425 | 2001-001088 | R-CARBON(S) | 1KOHM,5%,1/2W,AA,TP,2.4X6.4MM | |
| R426 | 2001-000110 | R-CARBON | 100HM,5%,1/4W,AA,TP,2.4X6.4MM | |
| R427 | 2001-000429 | R-CARBON | 1KOHM,5%,1/8W,AA,TP,1.8X3.2MM | |
| R428 | 2003-002017 | R-METAL OXIDE(S) | 360ohm,5%,3W,AA,TP,6X16mm | |
| R429 | 2001-000319 | R-CARBON | 120KOHM,5%,1/8W,AA,TP,1.8X3.2MM | |
| R430 | 2001-001078 | R-CARBON(S) | 15KOHM,5%,1/2W,AA,TP,2.4X6.4MM | |
| R431 | 2003-000407 | R-METAL OXIDE(S) | 0.6ohm,5%,2W,AA,TP,4x12mm | |
| R432 | 2001-000020 | R-CARBON(S) | 220HM,5%,1/2W,AA,TP,2.4X6.4MM | |
| R434 | 2001-000449 | R-CARBON | 2.2KOHM,5%,1/8W,AA,TP,1.8X3.2MM | |
| R435 | 2001-000786 | R-CARBON | 47KOHM,5%,1/8W,AA,TP,1.8X3.2MM | |
| R436 | 2001-000449 | R-CARBON | 2.2KOHM,5%,1/8W,AA,TP,1.8X3.2MM | |
| R437 | 2001-000786 | R-CARBON | 47KOHM,5%,1/8W,AA,TP,1.8X3.2MM | |
| R438 | 2001-000449 | R-CARBON | 2.2KOHM,5%,1/8W,AA,TP,1.8X3.2MM | |
| R439 | 2001-000786 | R-CARBON | 47KOHM,5%,1/8W,AA,TP,1.8X3.2MM | |
| R443 | 2003-000525 | R-METAL OXIDE(S) | 180ohm,5%,2W,AA,TP,4x12mm | |
| R444 | 2003-000769 | R-METAL OXIDE(S) | 680ohm,5%,3W,AA,TP,6x16mm | |
| R445 | 2001-000019 | R-CARBON(S) | 100HM,5%,1/2W,AA,TP,2.4X6.4MM | |
| R446 | 2001-000117 | R-CARBON(S) | 680HM,5%,1/2W,AA,TP,2.4X6.4MM | |
| R450 | 2004-000327 | R-METAL | 150Kohm,1%,1/4W,AA,TP,2.4x6.4m | |
| R451 | 2001-000290 | R-CARBON | 10KOHM,5%,1/8W,AA,TP,1.8X3.2MM | |
| R452 | 2001-000290 | R-CARBON | 10KOHM,5%,1/8W,AA,TP,1.8X3.2MM | |
| R453 | 2001-000290 | R-CARBON | 10KOHM,5%,1/8W,AA,TP,1.8X3.2MM | |
| R454 | 2003-000650 | R-METAL OXIDE(S) | 330ohm,5%,2W,AA,TP,4x12mm | |
| R455 | 2004-001230 | R-METAL | 75Kohm,1%,1/4W,AA,TP,2.4x6.4mm | |
| R461 | 2004-000298 | R-METAL | 130Kohm,1%,1/4W,AA,TP,2.4x6.4m | |
| R500 | 2001-000435 | R-CARBON | 1MOHM,5%,1/8W,AA,TP,1.8X3.2MM | |
| R501 | 2001-000890 | R-CARBON | 6.8KOHM,5%,1/8W,AA,TP,1.8X3.2MM | |
| R502 | 2004-000825 | R-METAL | 36Kohm,1%,1/4W,AB,TP,2.4x6.4mm | △ |
| R504 | 2001-000008 | R-CARBON | 15KOHM,5%,1/8W,AA,TP,1.8X3.2MM | △ |
| R505 | 2004-000458 | R-METAL | 2.2Kohm,1%,1/4W,AA,TP,2.4x6.4m | △ |
| R506 | 2004-000284 | R-METAL | 12Kohm,1%,1/4W,AA,TP,2.4x6.4mm | △ |
| R507 | 2004-000216 | R-METAL | 10Kohm,1%,1/4W,AA,TP,2.4x6.4mm | △ |
| R508 | 2001-000642 | R-CARBON | 330KOHM,5%,1/2W,AA,TP,3.3X9MM | |
| R509 | 2001-000642 | R-CARBON | 330KOHM,5%,1/2W,AA,TP,3.3X9MM | |
| R510 | 2001-000273 | R-CARBON | 100KOHM,5%,1/8W,AA,TP,1.8X3.2MM | |
| R511 | 2001-000478 | R-CARBON | 2.7OHM,5%,1/4W,AA,TP,2.4X6.4MM | |
| R513 | 2001-001110 | R-CARBON(S) | 240KOHM,5%,1/2W,AA,TP,2.4X6.4MM | |
| R514 | 2001-001071 | R-CARBON(S) | 12KOHM,5%,1/2W,AA,TP,2.4X6.4MM | |
| R515 | 2001-001108 | R-CARBON(S) | 22KOHM,5%,1/2W,AA,TP,2.4X6.4MM | |
| R516 | 2001-001112 | R-CARBON(S) | 24KOHM,5%,1/2W,AA,TP,2.4X6.4MM | |
| R518 | BH39-40305U | CBF HARNESS | 52MM,AWG22(0.6PI),--,AWG22(0. | |
| R520 | 2001-000522 | R-CARBON | 22KOHM,5%,1/8W,AA,TP,1.8X3.2MM | |
| R522 | 2001-000642 | R-CARBON | 330KOHM,5%,1/2W,AA,TP,3.3X9MM | |
| R523 | BH39-40305U | CBF HARNESS | 52MM,AWG22(0.6PI),--,AWG22(0. | |
| R524 | 2001-000531 | R-CARBON | 240KOHM,5%,1/8W,AA,TP,1.8X3.2MM | |
| R526 | 2004-000796 | R-METAL | 33Kohm,1%,1/4W,AA,TP,2.4x6.4mm | |

| Loc. No. | Code No. | Description | Specification | Remarks |
|----------|-------------|------------------|---------------------------------|---------|
| R529 | 2001-000429 | R-CARBON | 1KOHM,5%,1/8W,AA,TP,1.8X3.2MM | |
| R530 | 2004-000580 | R-METAL | 22Kohm,1%,1/4W,AA,TP,2.4x6.4mm | |
| R531 | 2001-000660 | R-CARBON | 33KOHM,5%,1/8W,AA,TP,1.8X3.2MM | |
| R551 | 2001-000530 | R-CARBON | 240KOHM,5%,1/4W,AA,TP,2.4X6.4MM | |
| R552 | 2001-000537 | R-CARBON | 24KOHM,5%,1/4W,AA,TP,2.4X6.4MM | |
| R553 | 2001-001129 | R-CARBON(S) | 330KOHM,5%,1/2W,AA,TP,2.4X6.4MM | |
| R554 | 2001-000316 | R-CARBON | 120KOHM,5%,1/2W,AA,TP,3.3X9MM | |
| R555 | 2001-000042 | R-CARBON | 1KOHM,5%,1/4W,AA,TP,2.4X6.4MM | |
| R556 | 2001-000591 | R-CARBON | 3.3KOHM,5%,1/8W,AA,TP,1.8X3.2MM | |
| R557 | 2001-000290 | R-CARBON | 10KOHM,5%,1/8W,AA,TP,1.8X3.2MM | |
| R558 | 2001-000316 | R-CARBON | 120KOHM,5%,1/2W,AA,TP,3.3X9MM | |
| R600 | 2001-001129 | R-CARBON(S) | 330KOHM,5%,1/2W,AA,TP,2.4X6.4MM | |
| R601 | 2001-001129 | R-CARBON(S) | 330KOHM,5%,1/2W,AA,TP,2.4X6.4MM | |
| R602 | 2001-000023 | R-CARBON | 47OHM,5%,1/4W,AA,TP,2.4X6.4MM | |
| R603 | 2001-000290 | R-CARBON | 10KOHM,5%,1/8W,AA,TP,1.8X3.2MM | |
| R604 | 2004-000151 | R-METAL | 1.5Kohm,1%,1/8W,AA,TP,1.8x3.2m | |
| R605 | 2001-000734 | R-CARBON | 4.7KOHM,5%,1/8W,AA,TP,1.8X3.2MM | |
| R606 | 2001-000429 | R-CARBON | 1KOHM,5%,1/8W,AA,TP,1.8X3.2MM | |
| R607 | 2003-000014 | R-METAL OXIDE(S) | 10Kohm,5%,3W,AA,TP,6x16mm | |
| R608 | 2001-000034 | R-CARBON | 220OHM,5%,1/4W,AA,TP,2.4X6.4MM | |
| R609 | 2002-001068 | R-COMPOSITION | 180Kohm,5%,1/2W,AA,TP,3.9x9mm | |
| R610 | 2002-001068 | R-COMPOSITION | 180Kohm,5%,1/2W,AA,TP,3.9x9mm | |
| R611 | 2001-000018 | R-CARBON | 6.8OHM,5%,1/4W,AA,TP,2.4X6.4MM | |
| R612 | 2003-000738 | R-METAL OXIDE(S) | 56Kohm,5%,2W,AA,TP,4x12mm | |
| R613 | 2001-000577 | R-CARBON | 2KOHM,5%,1/8W,AA,TP,1.8X3.2MM | |
| R614 | 2001-001107 | R-CARBON(S) | 220ohm,5%,1/2W,AA,TP,2.4x6.4mm | |
| R615 | 2003-000330 | R-METAL OXIDE | 560ohm,5%,1W,AA,TP,4.3x12mm | |
| R616 | 2001-000577 | R-CARBON | 2KOHM,5%,1/8W,AA,TP,1.8X3.2MM | |
| R617 | 2001-001048 | R-CARBON(S) | 1.2OHM,5%,1/2W,AA,TP,2.4X6.4MM | |
| R618 | 2001-000429 | R-CARBON | 1KOHM,5%,1/8W,AA,TP,1.8X3.2MM | |
| R619 | 2003-000471 | R-METAL OXIDE(S) | 10ohm,5%,2W,AA,TP,4x12mm | |
| R620 | 2001-000508 | R-CARBON | 220KOHM,5%,1/8W,AA,TP,1.8X3.2MM | |
| R621 | 2001-000290 | R-CARBON | 10KOHM,5%,1/8W,AA,TP,1.8X3.2MM | |
| R622 | 2001-000211 | R-CARBON | 10HM,5%,1/4W,AA,TP,2.4X6.4MM | |
| R623 | 2004-001349 | R-METAL | 91Kohm,1%,1/4W,AA,TP,2.4x6.4mm | |
| R624 | 2001-000890 | R-CARBON | 6.8KOHM,5%,1/8W,AA,TP,1.8X3.2MM | |
| R625 | 2004-001005 | R-METAL | 5.1Kohm,1%,1/4W,AA,TP,2.4x6.4m | |
| R627 | 2001-000495 | R-CARBON | 20KOHM,5%,1/4W,AA,TP,2.4X6.4MM | |
| R630 | 2001-000786 | R-CARBON | 47KOHM,5%,1/8W,AA,TP,1.8X3.2MM | |
| R631 | 2001-001088 | R-CARBON(S) | 1KOHM,5%,1/2W,AA,TP,2.4X6.4MM | |
| R632 | 2001-000290 | R-CARBON | 10KOHM,5%,1/8W,AA,TP,1.8X3.2MM | |
| R634 | 2001-000290 | R-CARBON | 10KOHM,5%,1/8W,AA,TP,1.8X3.2MM | |
| R635 | 2004-001211 | R-METAL | 7.5Kohm,1%,1/4W,AA,TP,2.4x6.4m | |
| R663 | 2001-000071 | R-CARBON | 22KOHM,5%,1/4W,AA,TP,2.4X6.4MM | |
| R664 | 2001-000062 | R-CARBON | 470OHM,5%,1/4W,AA,TP,2.4X6.4MM | |
| R666 | 2001-000258 | R-CARBON | 1.8KOHM,5%,1/8W,AA,TP,1.8X3.2MM | |
| R668 | 2001-000429 | R-CARBON | 1KOHM,5%,1/8W,AA,TP,1.8X3.2MM | |
| R671 | 2001-000281 | R-CARBON | 100OHM,5%,1/8W,AA,TP,1.8X3.2MM | |
| SK501 | 4715-000001 | SURGE ABSORBER | 1KV,+50-10%,-- | SNA |
| TP401 | 6042-000002 | EYELET | ID1.5,OD2,L3.1,SN,BSS3-E/EH | SNA |
| TP402 | 6042-000002 | EYELET | ID1.5,OD2,L3.1,SN,BSS3-E/EH | SNA |
| TP501 | 6042-000002 | EYELET | ID1.5,OD2,L3.1,SN,BSS3-E/EH | SNA |
| X201 | 2801-000005 | CRYSTAL-UNIT | 8MHz,50ppm,28-AAM,S,35ohm,TP | |
| ZD201 | 0403-000361 | DIODE-ZENER | UZ6.2BSB,6.2V,5.99-6.24V,500mW | |
| ZD202 | 0403-000361 | DIODE-ZENER | UZ6.2BSB,6.2V,5.99-6.24V,500mW | |

| Loc. No. | Code No. | Description | Specification | Remarks |
|----------|-------------|-------------------|--|---------|
| ZD203 | 0403-000361 | DIODE-ZENER | UZ6.2BSB,6.2V,5.99-6.24V,500mW | |
| ZD204 | 0403-000361 | DIODE-ZENER | UZ6.2BSB,6.2V,5.99-6.24V,500mW | |
| ZD205 | 0403-000361 | DIODE-ZENER | UZ6.2BSB,6.2V,5.99-6.24V,500mW | |
| ZD206 | 0403-000361 | DIODE-ZENER | UZ6.2BSB,6.2V,5.99-6.24V,500mW | |
| ZD207 | 0403-000361 | DIODE-ZENER | UZ6.2BSB,6.2V,5.99-6.24V,500mW | |
| ZD209 | 0403-000348 | DIODE-ZENER | UZ36B,36V,33-39V,500mW,DO-35,T | |
| ZD210 | 0403-001068 | DIODE-ZENER | UZ4.7BSA,4.7V,4.47-4.65V,500mW | |
| ZD211 | 0403-000361 | DIODE-ZENER | UZ6.2BSB,6.2V,5.99-6.24V,500mW | |
| ZD502 | 0403-000355 | DIODE-ZENER | UZ5.1BSB,4.97-5.18V,500MW,DO-35,TP | |
| HS501 | BH99-00024U | ASSY HEAT/SINK | HS FBT,SPRING,J6810,DTV1500M,KTD2058,OIL SILICON | SNA |
| CIS | 0205-001027 | OIL-SILICON | G746,-,- | SNA |
| CIS | 0402-001455 | DIODE-RECTIFIER | DTV1500M,1500V,6A,TO-220FPAC,ST | |
| CIS | 0502-000465 | TR-POWER | KTD2058,NPN,25000mW,TO-220IS,ST,100-200 | |
| CIS | 0502-001217 | TR-POWER | FJAF6810,NPN,60000MW,TO-3PF,ST,5-8 | △ |
| CIS | BH61-00004A | SPRING ETC-TR | CDA,CDB,SUS304,-,-,-,-,-,TO.5,-,-,-,- | SNA |
| CIS | BH61-70003A | SPRING ETC | CVT4857,STS304-W1/2H,W3.8,-,L30,L30,-,TO.5,DEGRE,W3.8,STS304-W1/2H | SNA |
| CIS | BH62-00015A | HEAT SINK-FBT | A1050S,T1.0,T1.0,-,- | SNA |
| HS301 | BH99-00044A | ASSY HEAT/SINK | HS V.IC,SCREW+NUT,KA2142,-,-,OIL SILICON | SNA |
| CIS | 0205-001027 | OIL-SILICON | G746,-,- | SNA |
| CIS | 1204-001508 | IC-VERTICAL DEF. | KA2142,SIP,10P,-,PLASTIC,35V,15W,-20TO+70C,ST,VERTICAL DEFLECTION | |
| CIS | 6006-001008 | SCREW-ASS'Y MACH | WSP,BH,+M3,L10,ZPC(YEL),SWRCH | SNA |
| CIS | 6021-000118 | NUT-HEXAGON | 1C,M3,ZPC(YEL),SM20C | SNA |
| CIS | BH62-00050A | HEAT SINK-V IC | AQ17,A1050S,T1.0,H60,L77,-,-,- | SNA |
| HS601 | BP96-00064A | ASSY HEAT SINK P | H/S POWER,SPRING,6S0765RC,RUBBER SILICON | |
| CIS | 1203-002642 | IC-PWM CONTROLLER | FS6S0765RCB-YDTU,TO-220(FORMING),SP,9.88X9.2MM,PLASTIC,14/16V,145W,-25TO+85C,17A | |
| CIS | BH61-00004A | SPRING ETC-TR | CDA,CDB,SUS304,-,-,-,-,-,TO.5,-,-,-,- | SNA |
| CIS | BH62-00004A | HEAT SINK-POWER | -,T1,-,A1050S,DA/DB | SNA |
| CIS | BH62-20001B | TUBE-RUBBER | CSQ4357,W25*L20*TO.45,-,-,-,- | SNA |
| HS401 | BP96-00067A | ASSY HEAT SINK P | H/S TR,SCREW+NUT,IRF630B,OIL SILICON | |
| CIS | 0205-001027 | OIL-SILICON | G746,-,- | SNA |
| CIS | 0505-001675 | FET-SILICON | IRF630B,N,200V,9A,0.40HM,72W,TO-220 | |
| CIS | 6006-001008 | SCREW-ASS'Y MACH | WSP,BH,+M3,L10,ZPC(YEL),SWRCH | SNA |
| CIS | 6021-000118 | NUT-HEXAGON | 1C,M3,ZPC(YEL),SM20C | SNA |
| CIS | BH62-30024A | HEAT SINK-TR | SPC,T1,SN,CFX1577L | SNA |
| HS402 | BP96-00072A | ASSY HEAT SINK P | H/S TR,SPRING,IRF630B,OIL SILICON | |
| CIS | 0205-001027 | OIL-SILICON | G746,-,- | SNA |
| CIS | 0505-001675 | FET-SILICON | IRF630B,N,200V,9A,0.40HM,72W,TO-220 | |
| CIS | BH61-00004A | SPRING ETC-TR | CDA,CDB,SUS304,-,-,-,-,-,TO.5,-,-,-,- | SNA |
| CIS | BH62-00016A | HEAT SINK-TR | A1050S,T1.0,-,DP17MO | SNA |

7-2-2 AN17L* Video

| Loc. No. | Code No. | Description | Specification | Remarks |
|----------|-------------|---------------------|--|---------|
| - | BH94-00824D | ASSY PCB VIDEO | AN17LS | SNA |
| 17_NOR | 3704-001170 | SOCKET-CRT | 10P,22.5PI,25.6PI,NH+SN,- | |
| CIS | BH63-00056A | SHIELD-VIDEO CAP | AN17KS,SPT ,T0.2 | |
| CIS1 | 0202-001044 | SOLDER-WIRE. | S63S-W3.0,S63S,D3,63Sn/37Pb,- | SNA |
| CIS2 | 0204-001527 | FLUX | DF-201TVS,MIX,0.820,FLUX 13%, 14KG | |
| CIS3 | 0202-001222 | SOLDER-WIRE FLUX | RS-107,RS60-1.2AA,D1.2,SN60/PB40,- | SNA |
| CIS4 | 0204-001095 | THINNER | #4520,-,-,- | SNA |
| CIS8 | BH63-00055A | SHIELD-VIDEO | AN17KS,SPT ,T0.2 | |
| CN101 | 3711-004228 | CONNECTOR-HEADER | BOX,6P,1R,2MM,ANGLE,SN | SNA |
| CN102 | BH39-00015A | CBF-HARNESS | 13P/14P,200MM,WHT/BLK/RED/BLU,UL1007,AWG26,SMH200-13/YBNH200-14 | |
| IC101 | 1201-001947 | IC-VIDEO AMP | S1D2552X04,SDIP,32P,400MIL,-,PLASTIC,12.6V,1W,-20T0+75C,-,-,-,ST | ⚠ |
| SH/VID1 | BH39-00134A | CBF-HARNESS | DT15LT,3*0.16TA,BLK,AWG18,35068-9822,EARTH CLIP,BK,100MM | |
| SH/VID2 | BH39-00412A | LEAD CONNECTOR | AN17K*,8*0.16*16TA,35750-1010,YRT187L,BK,160MM | |
| SH/VID3 | BH39-00153A | CBF-HARNESS | -,120MM,-,-,8*0.16TA*16,35750-1010/35068-982 | |
| V_CLAMP1 | 6502-000001 | CABLE CLAMP | DAWH-5NB,D15,L35,NYLON66,NTR | SNA |
| V_CLAMP2 | 6502-000127 | CABLE CLAMP | DAWH-18NB,ID15,-,NYLON66,NTR | SNA |
| - | BH97-00347D | ASSY AUTO-VIDEO | AN17LS | SNA |
| BD101 | 3301-000011 | CORE-FERRITE BEAD | AA,3.5x1.0x5.7mm,1500,2375G | |
| BD102 | 3301-000011 | CORE-FERRITE BEAD | AA,3.5x1.0x5.7mm,1500,2375G | |
| BD103 | 3301-000011 | CORE-FERRITE BEAD | AA,3.5x1.0x5.7mm,1500,2375G | |
| BD104 | 3301-000011 | CORE-FERRITE BEAD | AA,3.5x1.0x5.7mm,1500,2375G | |
| BD105 | 3301-000011 | CORE-FERRITE BEAD | AA,3.5x1.0x5.7mm,1500,2375G | |
| BD106 | 3301-000011 | CORE-FERRITE BEAD | AA,3.5x1.0x5.7mm,1500,2375G | |
| BD107 | 3301-000011 | CORE-FERRITE BEAD | AA,3.5x1.0x5.7mm,1500,2375G | |
| BD108 | 3301-000011 | CORE-FERRITE BEAD | AA,3.5x1.0x5.7mm,1500,2375G | |
| C102 | 2401-000603 | C-AL | 1uF,20%,50V,GP,TP,5x11,5 | |
| C103 | 2401-000037 | C-AL | 470uF,20%,16V,GP,TP,8x11.5,5 | |
| C105 | 2201-000019 | C-CERAMIC,DISC | 10nF,+80-20%,500V,Y5V,TP,13.5x4mm,5 | |
| C106 | 2202-002009 | C-CERAMIC,MLC-AXIAL | 100nF,+80-20%,50V,Y5V,TP,2.3X3 | |
| C107 | 2401-003034 | C-AL | 220uF,20%,16V,WT,TP,8x11.5,5 | |
| C108 | 2401-000049 | C-AL | 47uF,20%,100V,WT,TP,10x16,5 | |
| C113 | 2301-000016 | C-FILM,PEF | 22nF,5%,100V,TP,7.2x4.5x9.0mm, | |
| C114 | 2201-002110 | C-CERAMIC,DISC | 1.8nF,10%,1kV,Y5P,TP,10x5mm,5 | |
| C115 | 2401-003704 | C-AL | 1UF,±20%,100V,WT,TP,5X11MM,5 | |
| C117 | 2301-000174 | C-FILM,PEF | 15nF,5%,100V,TP,7.2x4.0x7.5mm, | |
| C118 | 2201-000138 | C-CERAMIC,DISC | 100pF,10%,50V,Y5P,TP,4.0X4.0,2 | |
| C119 | 2201-000285 | C-CERAMIC,DISC | 1nF,10%,1kV,Y5P,TP,8x5,5 | |
| C120 | 2201-000285 | C-CERAMIC,DISC | 1nF,10%,1kV,Y5P,TP,8x5,5 | |
| C121 | 2202-002009 | C-CERAMIC,MLC-AXIAL | 100nF,+80-20%,50V,Y5V,TP,2.3X3 | |
| C123 | 2201-000019 | C-CERAMIC,DISC | 10nF,+80-20%,500V,Y5V,TP,13.5x4mm,5 | |
| C124 | 2301-000148 | C-FILM,PEF | 10nF,5%,100V,TP,7x3.2x7mm,5mm | |
| C151 | 2202-002009 | C-CERAMIC,MLC-AXIAL | 100nF,+80-20%,50V,Y5V,TP,2.3X3 | |
| C152 | 2202-002009 | C-CERAMIC,MLC-AXIAL | 100nF,+80-20%,50V,Y5V,TP,2.3X3 | |
| C160 | 2401-000031 | C-AL | 47uF,20%,16V,GP,TP,5x11,5 | |
| C161 | 2401-000025 | C-AL | 100uF,20%,16V,GP,TP,6.3x11,5 | |
| C162 | 2401-000603 | C-AL | 1uF,20%,50V,GP,TP,5x11,5 | |
| CB01 | 2202-002009 | C-CERAMIC,MLC-AXIAL | 100nF,+80-20%,50V,Y5V,TP,2.3X3 | |
| CB02 | 2401-000607 | C-AL | 1uF,20%,50V,WT,TP,3x5mm,2.5mm | |
| CB04 | 2401-000055 | C-AL | 1uF,20%,160V,WT,TP,3x11,5mm | |
| CB06 | 2301-000010 | C-FILM,PEF | 100nF,5%,100V,TP,11.5x12.5mm,5 | |
| CB07 | 2201-000487 | C-CERAMIC,DISC | 33pF,5%,50V,SL,TP,5x3,5m | |
| CB08 | 2201-000017 | C-CERAMIC,DISC | 1nF,10%,50V,Y5P,TP,5x3,5,5 | |
| CG01 | 2202-002009 | C-CERAMIC,MLC-AXIAL | 100nF,+80-20%,50V,Y5V,TP,2.3X3 | |
| CG02 | 2401-000607 | C-AL | 1uF,20%,50V,WT,TP,3x5mm,2.5mm | |

| Loc. No. | Code No. | Description | Specification | Remarks |
|----------|-------------|----------------------|--|---------|
| CG04 | 2401-000055 | C-AL | 1uF,20%,160V,WT,TP,3x11,5mm | |
| CG06 | 2301-000010 | C-FILM,PEF | 100nF,5%,100V,TP,11.5x12.5mm,5 | |
| CG07 | 2201-000487 | C-CERAMIC,DISC | 33pF,5%,50V,SL,TP,5x3,5m | |
| CG08 | 2201-000017 | C-CERAMIC,DISC | 1nF,10%,50V,Y5P,TP,5x3.5,5 | |
| CIS5 | 0203-001199 | TAPE-KRAFT | #53110,TO.1,W6,L2000M,BRN | SNA |
| CIS6 | 0203-001200 | TAPE-PAPER | #53128,TO.15,W5.5,L2000M,BEIGE | SNA |
| CIS7 | 0203-001201 | TAPE-PAPER | #FB-300,TO.16,W6,L2000M,R/BLU | SNA |
| CR01 | 2202-002009 | C-CERAMIC,MLC-AXIAL | 100nF,+80-20%,50V,Y5V,TP,2.3X3 | |
| CR02 | 2401-000607 | C-AL | 1uF,20%,50V,WT,TP,3x5mm,2.5mm | |
| CR04 | 2401-000055 | C-AL | 1uF,20%,160V,WT,TP,3x11,5mm | |
| CR06 | 2301-000010 | C-FILM,PEF | 100nF,5%,100V,TP,11.5x12.5mm,5 | |
| CR07 | 2201-000487 | C-CERAMIC,DISC | 33pF,5%,50V,SL,TP,5x3,5m | |
| CR08 | 2201-000017 | C-CERAMIC,DISC | 1nF,10%,50V,Y5P,TP,5x3.5,5 | |
| DB01 | 0401-000005 | DIODE-SWITCHING | 1N4148,100V,200mA,DO-35,TP | |
| DB02 | 0401-000005 | DIODE-SWITCHING | 1N4148,100V,200mA,DO-35,TP | |
| DB03 | 0401-000004 | DIODE-SWITCHING | 1SS244,250V,625mA,DO-34,TP | |
| DB04 | 0401-000004 | DIODE-SWITCHING | 1SS244,250V,625mA,DO-34,TP | |
| DB05 | 0401-000005 | DIODE-SWITCHING | 1N4148,100V,200mA,DO-35,TP | |
| DG01 | 0401-000005 | DIODE-SWITCHING | 1N4148,100V,200mA,DO-35,TP | |
| DG02 | 0401-000005 | DIODE-SWITCHING | 1N4148,100V,200mA,DO-35,TP | |
| DG03 | 0401-000004 | DIODE-SWITCHING | 1SS244,250V,625mA,DO-34,TP | |
| DG04 | 0401-000004 | DIODE-SWITCHING | 1SS244,250V,625mA,DO-34,TP | |
| DG05 | 0401-000005 | DIODE-SWITCHING | 1N4148,100V,200mA,DO-35,TP | |
| DR01 | 0401-000005 | DIODE-SWITCHING | 1N4148,100V,200mA,DO-35,TP | |
| DR02 | 0401-000005 | DIODE-SWITCHING | 1N4148,100V,200mA,DO-35,TP | |
| DR03 | 0401-000004 | DIODE-SWITCHING | 1SS244,250V,625mA,DO-34,TP | |
| DR04 | 0401-000004 | DIODE-SWITCHING | 1SS244,250V,625mA,DO-34,TP | |
| DR05 | 0401-000005 | DIODE-SWITCHING | 1N4148,100V,200mA,DO-35,TP | |
| EY1 | 6042-000002 | EYELET | ID1.5,OD2,L3.1,SN,BSS3-E/EH | SNA |
| EY3 | 6042-000001 | EYELET | ID2.2,OD2.7,L3.1,SN,BSS3-E/EH | SNA |
| EY4 | 6042-000002 | EYELET | ID1.5,OD2,L3.1,SN,BSS3-E/EH | SNA |
| EY5 | 6042-000002 | EYELET | ID1.5,OD2,L3.1,SN,BSS3-E/EH | SNA |
| EY6 | 6042-000002 | EYELET | ID1.5,OD2,L3.1,SN,BSS3-E/EH | SNA |
| G2 | BH71-40300A | PIN HINGE | BRASS,D2.361,HEAT/SINK,SN | SNA |
| GND | BH71-40300A | PIN HINGE | BRASS,D2.361,HEAT/SINK,SN | SNA |
| IC104 | BH13-00022A | IC HYBRID-BIAS CLAMP | LM2480NA,PN15H/17L,8P,0to+70C,DIP,3mA,85V,ST | |
| J1 | BH39-40305U | CBF HARNESS | 52MM,AWG22(0.6PI),--,AWG22(0. | |
| J10 | BH39-40305U | CBF HARNESS | 52MM,AWG22(0.6PI),--,AWG22(0. | |
| J11 | BH39-40305U | CBF HARNESS | 52MM,AWG22(0.6PI),--,AWG22(0. | |
| J12 | BH39-40305U | CBF HARNESS | 52MM,AWG22(0.6PI),--,AWG22(0. | |
| J13 | BH39-40305U | CBF HARNESS | 52MM,AWG22(0.6PI),--,AWG22(0. | |
| J14 | BH39-40305U | CBF HARNESS | 52MM,AWG22(0.6PI),--,AWG22(0. | |
| J15 | BH39-40305U | CBF HARNESS | 52MM,AWG22(0.6PI),--,AWG22(0. | |
| J2 | BH39-40305U | CBF HARNESS | 52MM,AWG22(0.6PI),--,AWG22(0. | |
| J3 | BH39-40305U | CBF HARNESS | 52MM,AWG22(0.6PI),--,AWG22(0. | |
| J4 | BH39-40305U | CBF HARNESS | 52MM,AWG22(0.6PI),--,AWG22(0. | |
| J5 | BH39-40305U | CBF HARNESS | 52MM,AWG22(0.6PI),--,AWG22(0. | |
| J6 | BH39-40305U | CBF HARNESS | 52MM,AWG22(0.6PI),--,AWG22(0. | |
| J7 | BH39-40305U | CBF HARNESS | 52MM,AWG22(0.6PI),--,AWG22(0. | |
| J8 | BH39-40305U | CBF HARNESS | 52MM,AWG22(0.6PI),--,AWG22(0. | |
| J9 | BH39-40305U | CBF HARNESS | 52MM,AWG22(0.6PI),--,AWG22(0. | |
| L101 | 2701-000112 | INDUCTOR-AXIAL | 100uH,10%,3x7mm | |
| L103 | 2701-000319 | INDUCTOR-AXIAL | 470NH,10%,3X7MM | |
| LB01 | 2701-000319 | INDUCTOR-AXIAL | 470NH,10%,3X7MM | |
| LG01 | 2701-000319 | INDUCTOR-AXIAL | 470NH,10%,3X7MM | |

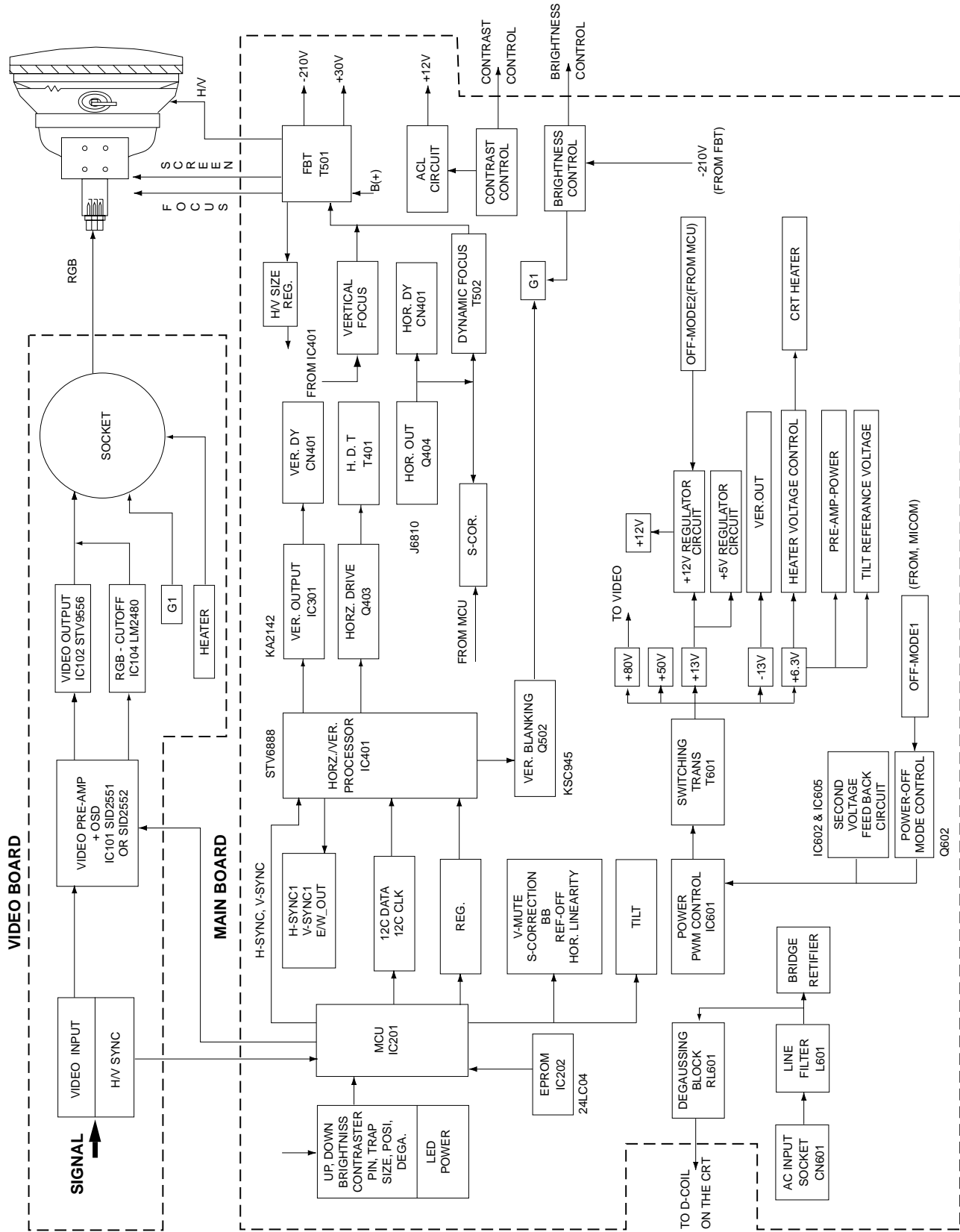
| Loc. No. | Code No. | Description | Specification | Remarks |
|-----------|-------------|------------------|--|---------|
| LR01 | 2701-000319 | INDUCTOR-AXIAL | 470NH,10%,3X7MM | |
| MP1.0_VID | BH41-00216A | PCB | AN17K*,FR1,1,1.6T,247*247MM,6,VIDEO | |
| R101 | 2001-000522 | R-CARBON | 22KOHM,5%,1/8W,AA,TP,1.8X3.2MM | |
| R102 | 2001-000281 | R-CARBON | 100OHM,5%,1/8W,AA,TP,1.8X3.2MM | |
| R103 | 2001-001138 | R-CARBON(S) | 390OHM,5%,1/2W,AA,TP,2.4X6.4MM | |
| R104 | 2001-001138 | R-CARBON(S) | 390OHM,5%,1/2W,AA,TP,2.4X6.4MM | |
| R105 | 2001-000890 | R-CARBON | 6.8KOHM,5%,1/8W,AA,TP,1.8X3.2MM | |
| R107 | 2001-000429 | R-CARBON | 1KOHM,5%,1/8W,AA,TP,1.8X3.2MM | |
| R108 | 2001-000591 | R-CARBON | 3.3KOHM,5%,1/8W,AA,TP,1.8X3.2MM | |
| R109 | 2001-000331 | R-CARBON | 12KOHM,5%,1/8W,AA,TP,1.8X3.2MM | |
| R117 | 2001-000761 | R-CARBON | 430OHM,5%,1/8W,AA,TP,1.8X3.2MM | |
| R118 | 2001-000857 | R-CARBON | 560OHM,5%,1/8W,AA,TP,1.8X3.2MM | |
| R119 | 2001-000857 | R-CARBON | 560OHM,5%,1/8W,AA,TP,1.8X3.2MM | |
| R124 | 2001-000281 | R-CARBON | 100OHM,5%,1/8W,AA,TP,1.8X3.2MM | |
| R130 | 2003-002282 | R-METAL OXIDE(S) | 390HM,5%,1W,AF,TP,3.3X9MM | |
| RB01 | 2001-000969 | R-CARBON | 75OHM,5%,1/8W,AA,TP,1.8X3.2MM | |
| RB02 | 2001-000969 | R-CARBON | 75OHM,5%,1/8W,AA,TP,1.8X3.2MM | |
| RB03 | 2001-000857 | R-CARBON | 560OHM,5%,1/8W,AA,TP,1.8X3.2MM | |
| RB05 | 2001-000702 | R-CARBON | 39KOHM,5%,1/8W,AA,TP,1.8X3.2MM | |
| RB07 | 2001-000411 | R-CARBON | 18KOHM,5%,1/8W,AA,TP,1.8X3.2MM | |
| RB08 | 2001-000325 | R-CARBON | 120OHM,5%,1/8W,AA,TP,1.8X3.2MM | |
| RB09 | 2001-000962 | R-CARBON | 75KOHM,5%,1/4W,AA,TP,2.4X6.4MM | |
| RB10 | 2003-002281 | R-METAL OXIDE(S) | 120OHM,5%,1W,AF,TP,3.3X9MM | |
| RB15 | 2001-000281 | R-CARBON | 100OHM,5%,1/8W,AA,TP,1.8X3.2MM | |
| RG01 | 2001-000969 | R-CARBON | 75OHM,5%,1/8W,AA,TP,1.8X3.2MM | |
| RG02 | 2001-000969 | R-CARBON | 75OHM,5%,1/8W,AA,TP,1.8X3.2MM | |
| RG03 | 2001-000857 | R-CARBON | 560OHM,5%,1/8W,AA,TP,1.8X3.2MM | |
| RG05 | 2001-000702 | R-CARBON | 39KOHM,5%,1/8W,AA,TP,1.8X3.2MM | |
| RG07 | 2001-000411 | R-CARBON | 18KOHM,5%,1/8W,AA,TP,1.8X3.2MM | |
| RG08 | 2001-000325 | R-CARBON | 120OHM,5%,1/8W,AA,TP,1.8X3.2MM | |
| RG09 | 2001-000962 | R-CARBON | 75KOHM,5%,1/4W,AA,TP,2.4X6.4MM | |
| RG10 | 2003-002281 | R-METAL OXIDE(S) | 120OHM,5%,1W,AF,TP,3.3X9MM | |
| RG15 | 2001-000281 | R-CARBON | 100OHM,5%,1/8W,AA,TP,1.8X3.2MM | |
| RR01 | 2001-000969 | R-CARBON | 75OHM,5%,1/8W,AA,TP,1.8X3.2MM | |
| RR02 | 2001-000969 | R-CARBON | 75OHM,5%,1/8W,AA,TP,1.8X3.2MM | |
| RR03 | 2001-000857 | R-CARBON | 560OHM,5%,1/8W,AA,TP,1.8X3.2MM | |
| RR05 | 2001-000702 | R-CARBON | 39KOHM,5%,1/8W,AA,TP,1.8X3.2MM | |
| RR07 | 2001-000411 | R-CARBON | 18KOHM,5%,1/8W,AA,TP,1.8X3.2MM | |
| RR08 | 2001-000938 | R-CARBON | 68OHM,5%,1/8W,AA,TP,1.8X3.2MM | |
| RR09 | 2001-000962 | R-CARBON | 75KOHM,5%,1/4W,AA,TP,2.4X6.4MM | |
| RR10 | 2003-002281 | R-METAL OXIDE(S) | 120OHM,5%,1W,AF,TP,3.3X9MM | |
| RR15 | 2001-000281 | R-CARBON | 100OHM,5%,1/8W,AA,TP,1.8X3.2MM | |
| SK101 | 1405-001064 | SURGE ABSORBER | 400V,20%,-,AXIAL | |
| SK102 | 4715-000001 | SURGE ABSORBER | 1KV,+50-10%,-, | SNA |
| SKB01 | 4715-001065 | SURGE ABSORBER | 200V,20%,-,AXIAL | |
| SKG01 | 4715-001065 | SURGE ABSORBER | 200V,20%,-,AXIAL | |
| SKR01 | 4715-001065 | SURGE ABSORBER | 200V,20%,-,AXIAL | |
| ZD101 | 0403-000327 | DIODE-ZENER | UZ15BSA,15V,13.48-14.09V,500mW | |
| ZD102 | 0403-000355 | DIODE-ZENER | UZ5.1BSB,4.97-5.18V,500MW,DO-35,TP | |
| HS103 | BP96-00063A | ASSY HEAT SINK P | H/S VIDEO,SCREW+NUT,STV9556,OIL SILICON | |
| CIS | 0205-001027 | OIL-SILICON | G746,-,- | SNA |
| CIS | 1201-001905 | IC-VIDEO AMP | STV9556,CLIPWATT,11P,20X11MM,TRIPLE,20DB,PLASTIC,115V,6.5W,OTO+70C,;,,,;ST | |
| CIS | 6006-001009 | SCREW-ASS'Y MACH | WSP,BH,+M3(WOD6),L12,ZPC(YEL) | SNA |
| CIS | 6021-000118 | NUT-HEXAGON | 1C,M3,ZPC(YEL),SM20C | SNA |
| CIS | BH62-00006A | HEAT SINK-VIDEO | -,A1050S T2.0,-,DB | SNA |

7-2-3 AN17L* Others

| Loc. No. | Code No. | Description | Specification | Remarks |
|----------|-------------|--------------------|--|---------|
| - | BH90-00341A | ASSY COVER FRONT | AQ17LS,-,ABS V0,IV16, | SNA |
| C/F+C/R | 6003-000009 | SCREW-TAPTITE | BH,+ ,B,M4,L16,ZPC(YEL),SWRCH18 | SNA |
| C/F+CDT | 6006-001119 | SCREW-ASS'Y TAPT | WC,BH,+ ,M5,L25,ZPC(YEL),SWRCH18A | SNA |
| CIS | BH90-00003A | ASSY COVER FRONT | AQ17LS,-,ABS V0,-,IV16,-,-,- | |
| CIS | 6107-001036 | SPRING-CS | PI9,4,DO.6,L15,WHT,STS304WBP | SNA |
| CIS | BH59-00182A | PBA SUB-FUNCTION | PN17HT,DB-PN17HT,SAMSUNG,-,FUNCTION,-,- | SNA |
| D3 | 0403-000361 | DIODE-ZENER | UZ6.2BSB,6.2V,5.99-6.24V,500mW | |
| R231 | 2001-000241 | R-CARBON | 1.5KOHM,5%,1/8W,AA,TP,1.8X3.2MM | |
| R233 | 2001-000331 | R-CARBON | 12KOHM,5%,1/8W,AA,TP,1.8X3.2MM | |
| R234 | 2001-000563 | R-CARBON | 27KOHM,5%,1/8W,AA,TP,1.8X3.2MM | |
| R232 | 2001-000812 | R-CARBON | 5.6KOHM,5%,1/8W,AA,TP,1.8X3.2MM | |
| SW201 | 3404-000243 | SWITCH-TACT | 15V,20mA,160gf+-50gf,6x3.4mm,S | |
| SW202 | 3404-000243 | SWITCH-TACT | 15V,20mA,160gf+-50gf,6x3.4mm,S | |
| SW203 | 3404-000243 | SWITCH-TACT | 15V,20mA,160gf+-50gf,6x3.4mm,S | |
| SW204 | 3404-000243 | SWITCH-TACT | 15V,20mA,160gf+-50gf,6x3.4mm,S | |
| CN2 | BH39-00255A | CBF HARNESS | PN17HT,UL1007#26,UL/CSA,2P,150MM,BLU/WHT,AWG26,SMH250-02,60-9073-3018-02 | |
| CIS | BH41-00117A | PCB CONTROL | PN17HT,FR-1,1 LAYER,00,1.6t,13*84,PN17HT,-,CONTROL,CONTROL BOARD | SNA |
| CIS | BH64-00096A | KNOB-FUNCTION | AQ17LS,ABS,HB,IV16 | SNA |
| CIS | BH64-00133A | KNOB POWER | AQ15VS,ABS ,HB,IV16 | SNA |
| CIS | BH67-00018A | LENS-LED | PN15VT,ACRYL ,CLEAR,-,-,-,- | SNA |
| CIS | BH71-00121A | EARTH PLATE | PN17LT,SUS304,TO.15 | SNA |
| CIS | BH72-00298A | GUIDE-CDT | PN17LT,ABS,HB,IV16 | SNA |
| CIS | BH72-00328A | COVER FRONT | AQ17LS,ABS,V0,IV16 | SNA |
| CIS | BH72-60491B | CAP BOSS | CGK5517,TPE,80,GRAY,CDT SETTING | SNA |
| - | BH90-00342A | ASSY COVER REAR | AQ17LS,-,ABS V0,IV16, | SNA |
| CIS | BH72-00329A | COVER REAR | AQ17LS,ABS,V0,IV16 | |
| - | BH90-00343A | ASSY STAND | AQ17LS,-,ABS HB,IV16, | SNA |
| CIS | BH75-00274A | UNIT-STAND | PN15VT,-,ABS HB,-,IV16,-,-,- | |
| CIS | BH60-00030A | FASTENER-BAND | PN17LT,ST+PVC,P0.4,-,150,YELLOW,-,-,- | SNA |
| CIS | BH61-40002A | FOOT-RUBBER | - ,NR,PMS428U,GA4237,-,-,- | SNA |
| CIS | BH63-30103A | FELT-STAND | MCM1755,FELT,T1.0,W10,L4 | |
| CIS | BH68-20366A | LABEL-MARK STAND | - ,ART PAPER 100(S)-,-,-,-,-,WHT ,,- | SNA |
| CIS | BH68-70306A | CARD-STAND | CVM4967PWS(SKD),WONSTROW,CHAIN | SNA |
| CIS | BH69-30348C | BAG-PE | HDPE,TO.02,W350*L430,Y,-,CGB51 | SNA |
| CIS | BH72-00277A | STAND TOP | PN15VT,ABS,HB,IV16 | SNA |
| CIS | BH72-60740A | STAND BASE-USB | CHB5807,ABS,HB,IV16 | SNA |
| - | BH91-00793W | ASSY CDT | AN17LS | SNA |
| CIS | 0201-001052 | ADHESIVE-CYA | NO2/TOKYO/3BCO,WHT,-,- | SNA |
| CIS | 0203-000005 | TAPE-ACETATE | SGT730,TO.26,W19,L3000,BLK | SNA |
| CIS | 3302-000006 | MAGNET-RUBBER | AF,14G,1620-1980G,0.58-0.9MGOe | SNA |
| CIS | 3309-000002 | MAGNET-SHEET | 5x20x80mm,UL94V-0,2 | SNA |
| CIS | BH03-00016A | CDT-SC | M410AR361X114(A/S2),69.17,0.28,-,29.1,FST,H/C,NH,-,MULTI,TILT,4 | |
| CIS | BH68-30003B | LABEL-HIGH VOLTAGE | CKA4217(C),ART,100G,YEL,BLK,W30*L30.CDT-TUBE | SNA |
| CIS | BH96-00113A | ASSY D-COIL P | 17,BH27-00128A,BH39-00410A | |
| - | BH91-00796D | ASSY CHASSIS | AN17LS | |
| - | BH92-00506D | ASSY BOX | AQ17LS7L/EDC,EDC,NETHERLANDS | SNA |
| BOX | BH68-00329A | LABEL BAR CODE | ALL,MPRII,DOM,EXPORT,ART-PAPER 90G,-,-,-,-,-,WHT,-,- | SNA |
| BOX | BH69-00386A | BOX | S/M753S,W/W(SMALL),CB-SW4,YEL,A-1,-,-,-,L500*W452*H434,- | SNA |

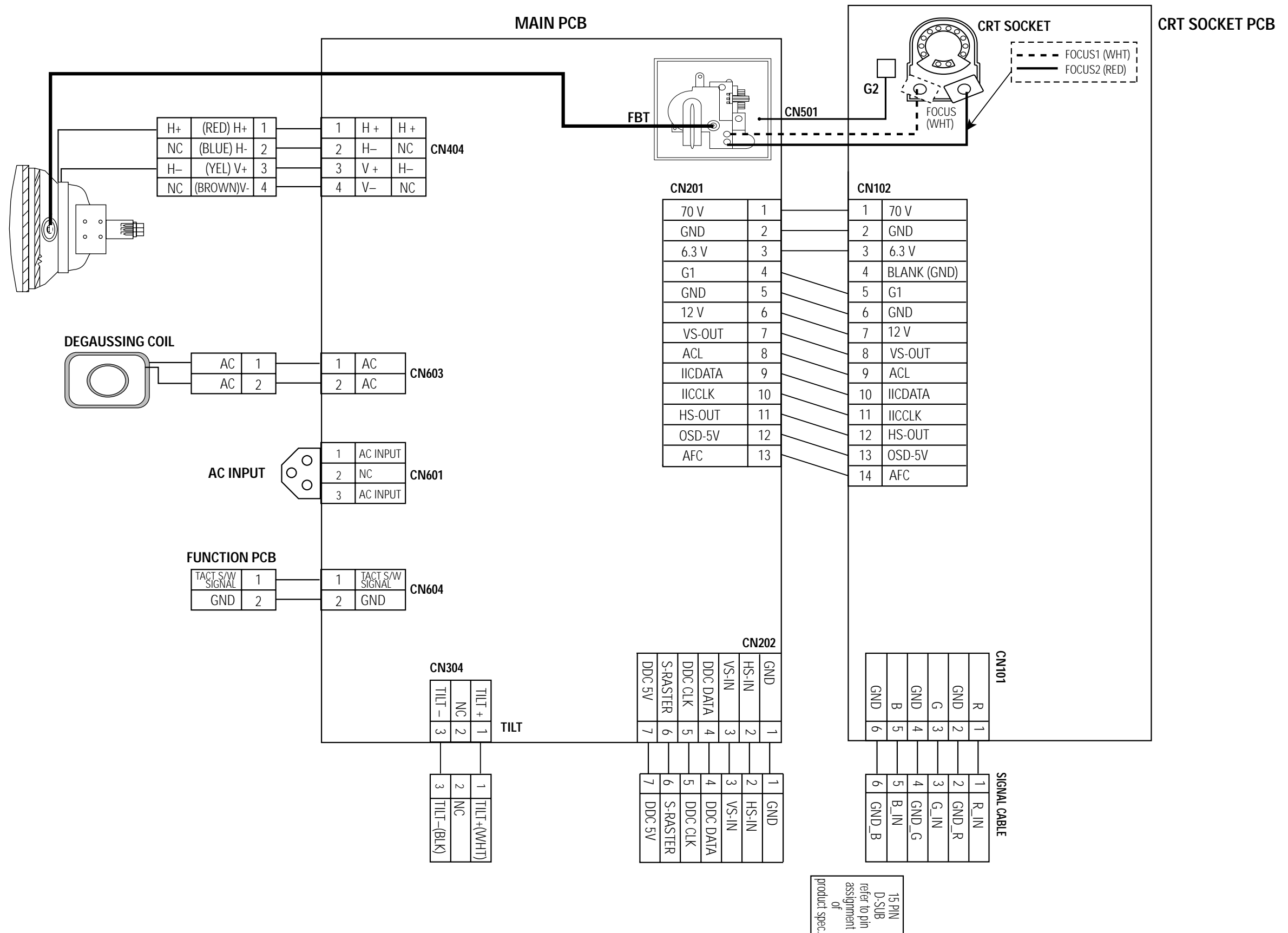
| Loc. No. | Code No. | Description | Specification | Remarks |
|----------------|-------------|-------------------|---|---------|
| - | BH92-00509A | ASSY P/MATERIAL | AQ17LS | SNA |
| CIS | 0203-001100 | TAPE-OPP MASKING | OPP/W75/CLR,TO.05,W75,L800000,CLR | SNA |
| CIS | 0203-001159 | TAPE-FILAMENT | #8915,TO.15,W12,L55000,CLR | SNA |
| CIS | BH69-00260A | BAG AIR | DP17L,PE,0.2,1800,1000,NATURAL,- | SNA |
| CIS | BH69-00359A | CUSHION-L/R(S) | AQ17LS,EPS M50,-,-,-,-,-,-,-,- | SNA |
| CIS | BH69-30002C | BAG-PE | LDPE,TO.05,W2400,NO_PRINT | SNA |
| CIS | BH69-30348A | BAG-PE | HDPE,TO.02,W850*L800,Y,-,CGB51 | SNA |
| CIS | BH69-30360A | BAG-AIR | HDPE,TO.2,W1000*L1800,N,-,ALL | SNA |
| CIS | BH69-40380A | PACKING-PAD | DW-2,500X2200X200,-,CGK5527 | SNA |
| - | BH92-00870D | ASSY LABEL | AN17LS | SNA |
| LABEL | BH68-00462B | LABEL RATING | AQ17LS@EUROPE,PE,TO.05,109,50,SYNC,-,PE NATURE,-,- | SNA |
| - | BH92-00871D | ASSY ACCESSORY | AN17LS | SNA |
| UNIT/ACCESSORY | BH96-00117E | ASSY ACCESSORY | AN17LS7L/EDC | |
| ACCESSORY | 0203-000214 | TAPE-OPP MASKING | OPP/W50/CLR,TO.05,W50,L400000, | SNA |
| ACCESSORY | BH39-10007A | CBF POWER CORD | DET,250V/6A,H05VV-F,LP-34A/KKP | |
| ACCESSORY | BH59-00335N | S/W DRIVER | AN17LS,IB/DRIVER,SYNCMaster,E/F/S/G/P/I/R/H/PO.. | |
| ACCESSORY | BH68-00374A | CARD WARRANTY | ASC List,Samsung,ART100G,Russian,EDC,295,210 | SNA |
| ACCESSORY | BH68-00376J | MANUAL | AN_QUICK SETUP GUIDE,SYNCMaster,E/F/S/G/P/I..14LANGS,W/W,MOJO100G,298,420 | |
| ACCESSORY | BH68-00489A | MANUAL | RUSSIAN W/CARD,SER,RUSSIAN,RUSSIA,MOJO100G | SNA |
| ACCESSORY | BH68-70418A | CARD-EU BLOC WARR | SyncMaster,BASIC,EU,MOJO,100G, | SNA |
| ACCESSORY | BH69-30348D | BAG-PE | LDPE,TO.05,W240*L356,Y,-,CMG73 | SNA |

8 Block Diagrams



Memo

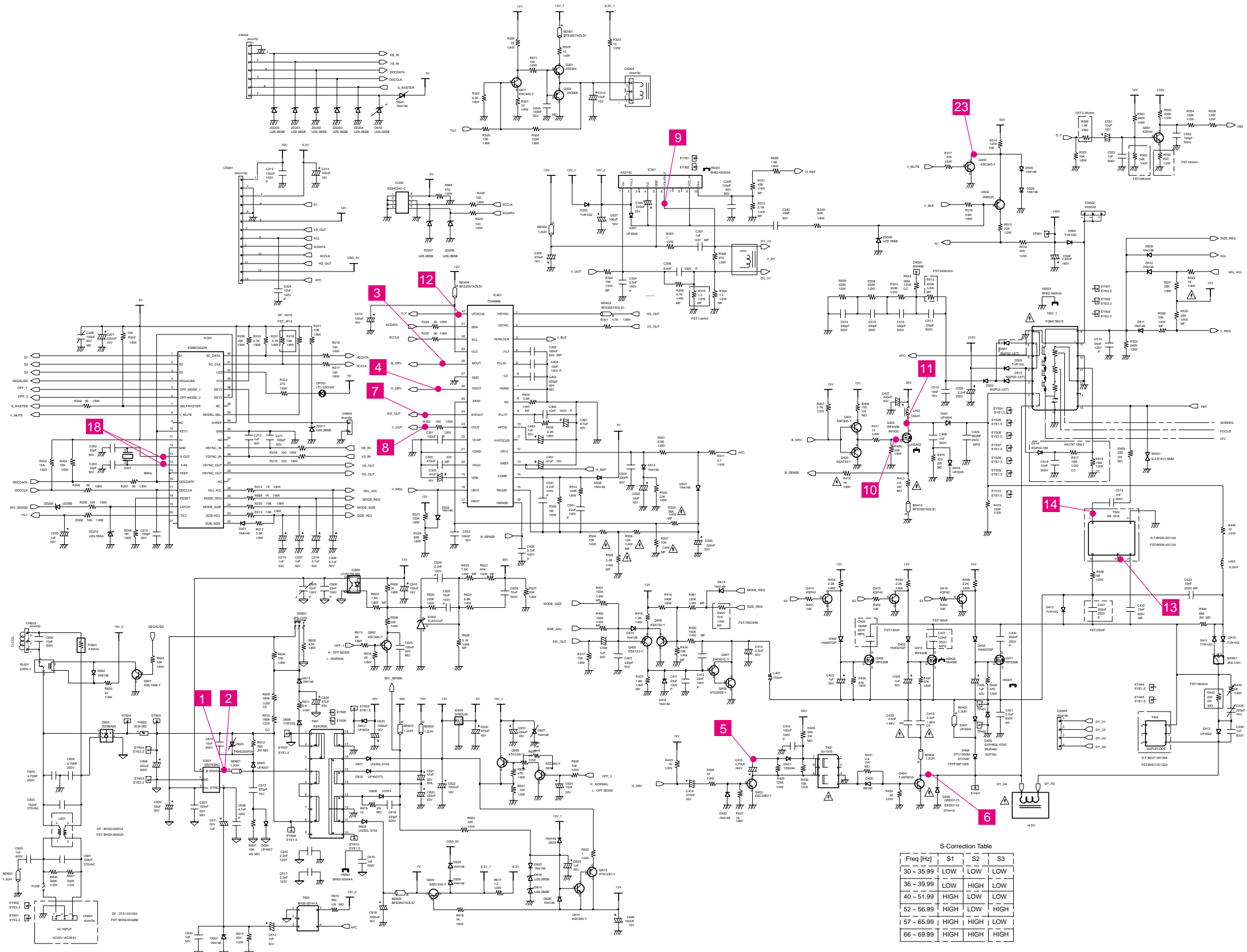
9 Wiring Diagram



Memo

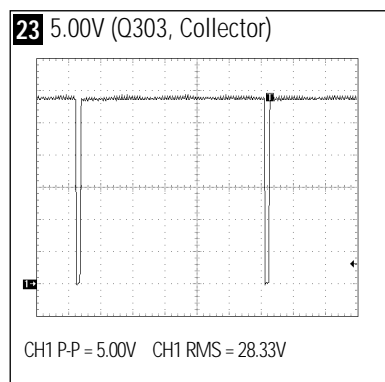
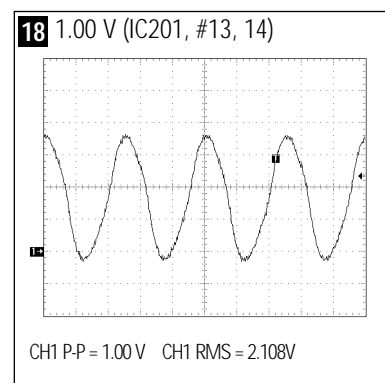
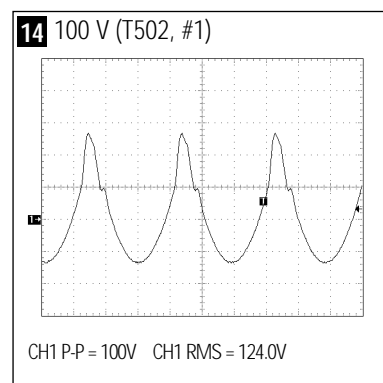
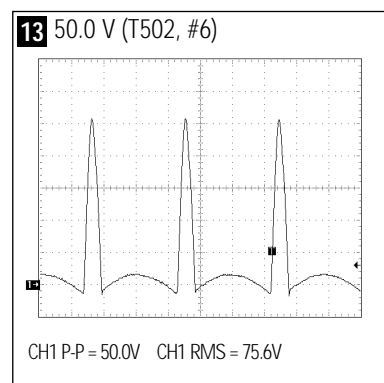
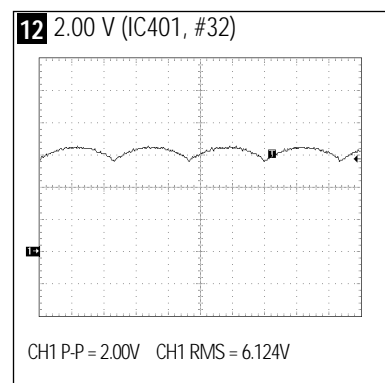
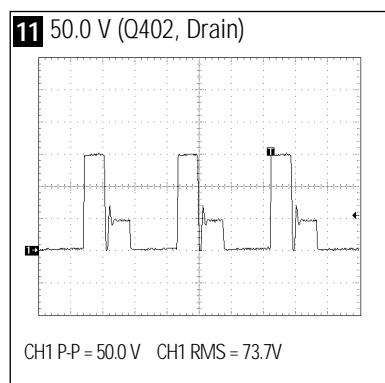
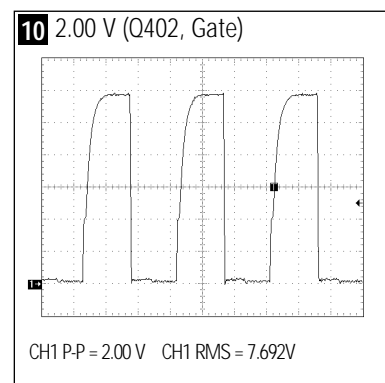
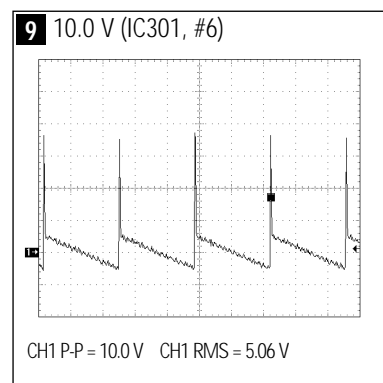
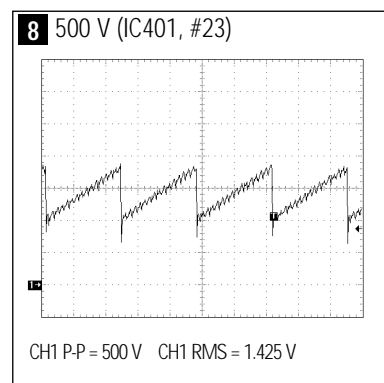
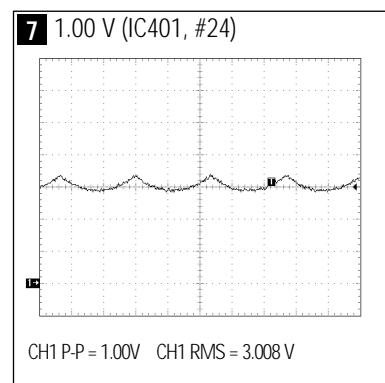
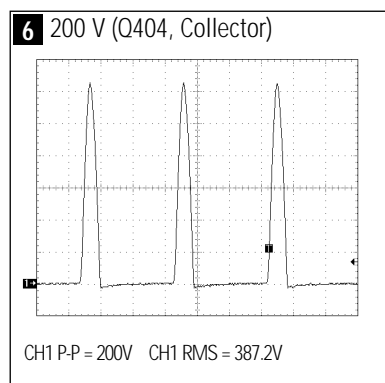
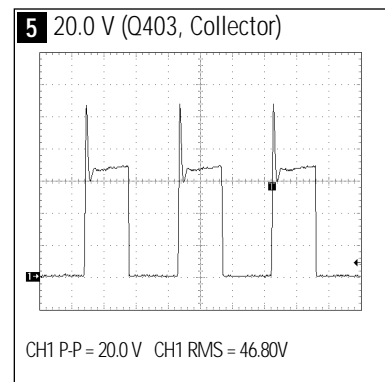
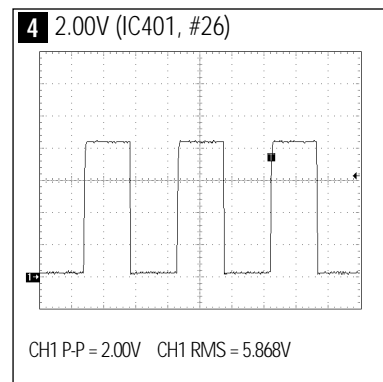
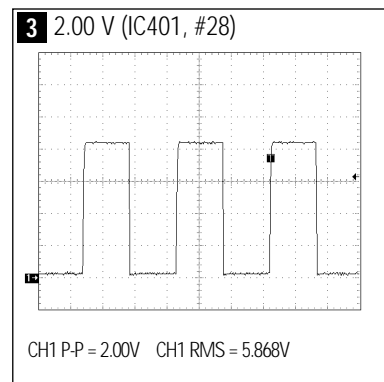
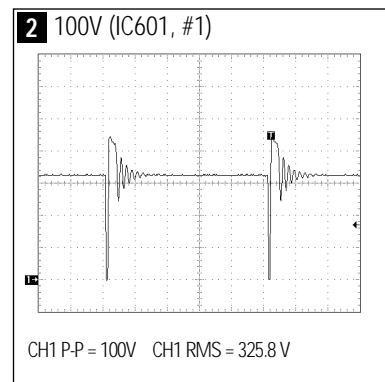
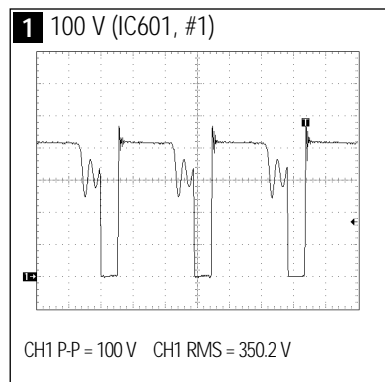
10 Schematic Diagrams

10-1 Main Part Schematic Diagram



S-Correction Table

| Freq [Hz] | S1 | S2 | S3 |
|------------|------|------|------|
| 30 - 35.99 | LOW | LOW | LOW |
| 36 - 39.99 | LOW | HIGH | LOW |
| 40 - 51.99 | HIGH | LOW | LOW |
| 52 - 56.99 | HIGH | LOW | HIGH |
| 57 - 65.99 | HIGH | HIGH | LOW |
| 66 - 69.99 | HIGH | HIGH | HIGH |



10-2 Video Part Schematic Diagram

